

Valves

Our complete range of valves offers installers and specifiers the choice they are looking for to suit most applications, commercial or domestic.

Available in brass, brass chrome, nickel plate and bronze, depending upon product type, our range is manufactured under ISO9001 quality management to the highest British standards and tested to ensure reliability and performance.

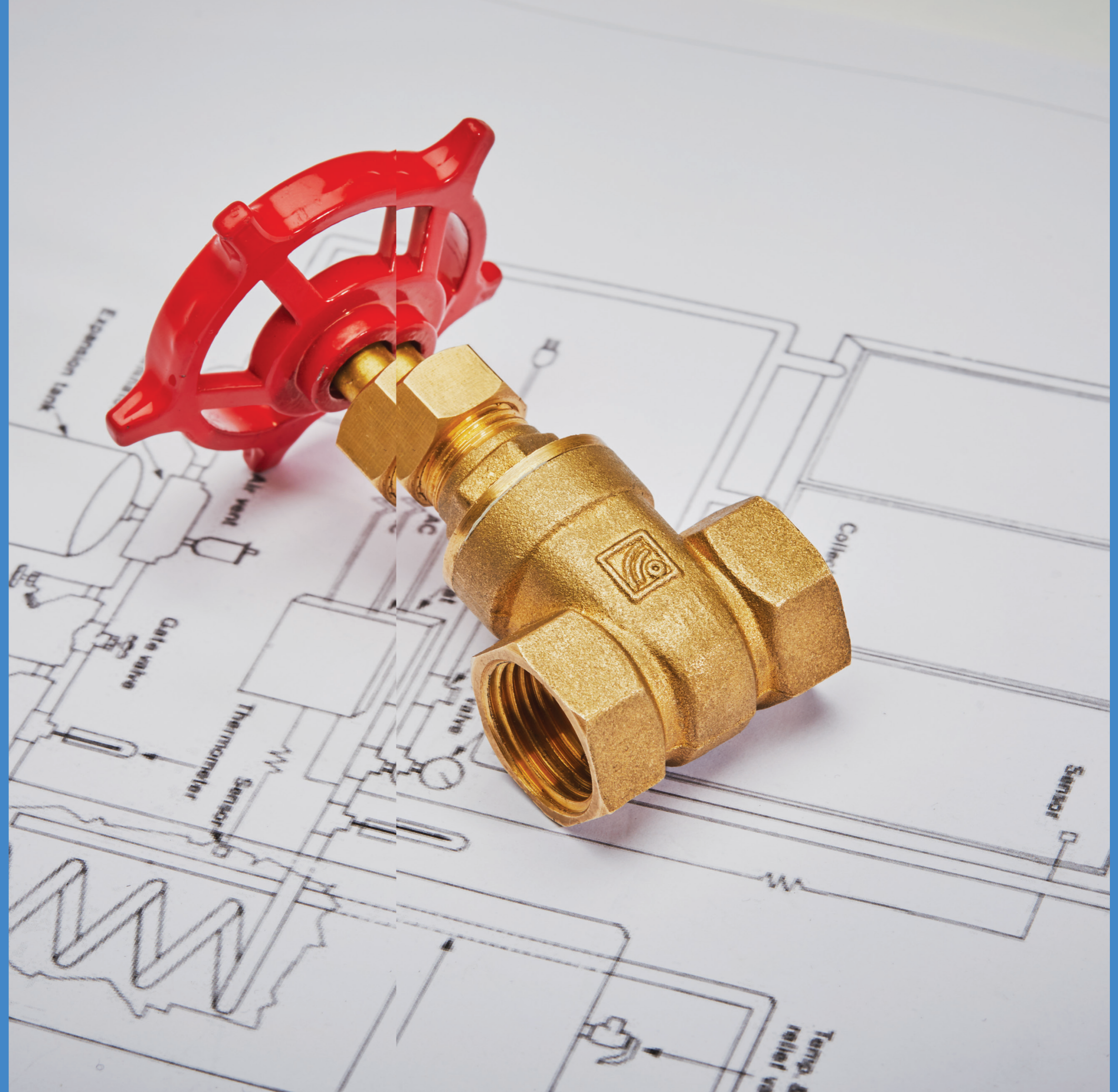
The Valve series includes isolating valves, service valves, gate valves, check valves, ball valves, manifold, angle valves and others in sizes that range from 8mm to 1200mm.

Gate valve ranges are WRAS approved and are manufactured to meet UK and international standards, BS 5154. Compression ends on the valves supplied are manufactured and tested to meet UK and international standards, BS EN 1254-2.

To ensure quality and performance materials used to manufacture the valves range meet the following, appropriate standards:

Forged Brass: BS EN 12165: CW617N

Brass Bar: BS EN 12163, BS EN 12164, BS EN 12167: CW614N



Valve Fittings Index

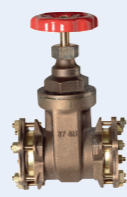
Gate Valves



Code: **L196**
Page 94



Code: **L197**
Page 94



Code: **L197 - Large**
Page 95



Code: **L198**
Page 95



Code: **P474**
Page 96



Code: **L198LS**
Page 96



Code: **P474LS**
Page 97

Ball Valves



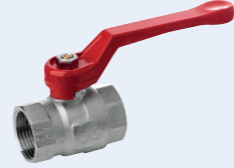
Code: **711**
Page 98



Code: **611**
Page 98



Code: **811**
Page 99



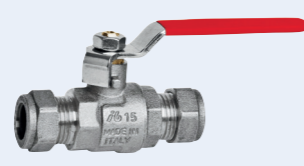
Code: **FTH4021NP**
Page 99



Code: **FTH4451NP**
Page 100



Code: **FTH4461NP**
Page 100



Code: **FCP4461NP**
Page 101



Code: **PX811**
Page 101

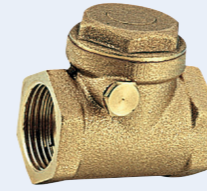
Angle Seat Valve



Code: **FTH4811**
Page 102

Valve Fittings Index

Swing & Check Valves



Code: **FTH4781**
Page 102



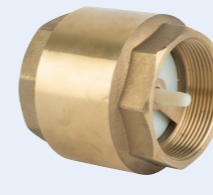
Code: **FTH4784**
Page 103



Code: **P470**
Page 103

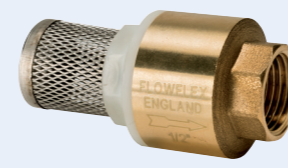


Code: **P470DR**
Page 104



Code: **SPV**
Page 104

Foot Valves & Strainers



Code: **SPF**
Page 105



Code: **FTH4881**
Page 105



Code: **FTH5181**
Page 106

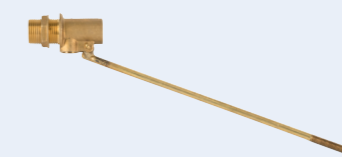
Float Valves



Code: **BV.04**
Page 106



Code: **BV.05**
Page 107



Code: **BVV**
Page 107

Pressure Reducer



Code: **FTH4891NP**
Page 108

Bib Tap



Code: **L480**
Page 108

Commercial Valves



Code: **FFL4807**
Page 109



Code: **FFL4187**
Page 109



Code: **FFL4827**
Page 110



Code: **FFL4837**
Page 110



Code: **FFL4517**
Page 111



Code: **FFL4767**
Page 111



Code: **FFL5187**
Page 112



Code: **FFL4507**
Page 113



Code: **FFL4537**
Page 114



Code: **FFL4527**
Page 115

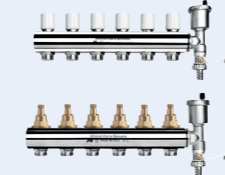


Code: **FFL4547**
Page 116

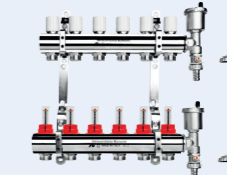
Manifolds



Code: **FTH4271NP**
Page 117



Code: **FTH4281NP**
Page 117



Code: **FTH4251NP**
Page 118



Code: **FTH4261NP**
Page 118



Code: **FTH4261NP**
Page 119



Code: **FTH4261NP**
Page 119



Code: **FTH4261NP**
Page 120



Code: **FTH4291**
Page 121



Code: **FTH4301**
Page 121

Angle Valves



Code: **AV100.1**
Page 122



Code: **AV102.1**
Page 122



Code: **AV103.1**
Page 123



Code: **AV103.1HC**
Page 123



Code: **AV104.1**
Page 124



Code: **AV105.1**
Page 124



Code: **AV106.1**
Page 125

Mini Ball Valves



Code: **FTH4371CP**
Page 126



Code: **FTH4351CP**
Page 126



Code: **FTH4391CP**
Page 127



Code: **FTH4361CP**
Page 127



Code: **FTH4392CP**
Page 128



Code: **FTH4402CP**
Page 128



Code: **FTH4412CP**
Page 129



Code: **FCP4422CP**
Page 129



Code: **FCP4372CP**
Page 130

General Valves



Code: **P460**
Page 130



Code: **P460 - Large**
Page 131



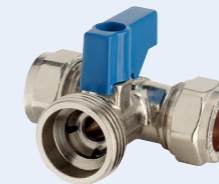
Code: **HUBT**
Page 131



Code: **P462WMT**
Page 132



Code: **P467**
Page 132



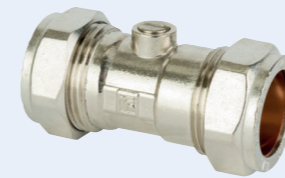
Code: **P467**
Page 132



Code: **P472CPBH**
Page 133



Code: **P472**
Page 133



Code: **P472CP**
Page 133



Code: **P481CP**
Page 134



Code: **P183**
Page 134



Code: **P477**
Page 135

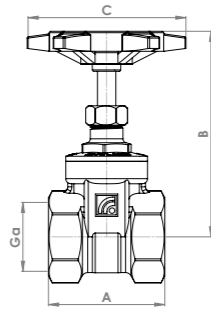


Code: **P478**
Page 135



Code: **MPF.PV**
Page 136

L196 Bronze Gate Valve FxF



General Specification

- BS5154
- Working Medium: Water, Oil, Steam
- Pressure Rating: PN20
- Max Working Temperature: <=120°C
- Pressure / Temperature Rating:
Hot Water - 9 Bar @ 120°C
Cold Water - 20 Bar @ 100°C
- Approval: WRAS
- 5 Year Warranty



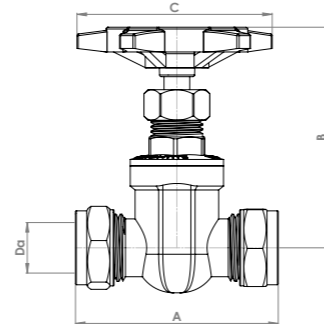
Material Specification

Part	Material
Nut	Brass CW617N
Name Plate	Aluminium
Handwheel	Aluminium
Press Nut	Bronze CC491K
Brass Ring	Bronze CC491K
Plastic Ring	PTFE
Bonnet	Bronze CC491K
Lock Nut	Bronze CC491K
Sealing	PTFE
Stem	Brass CW614N
Board	Bronze CC491K
Body	Bronze CC491K

Product Codes & Dimensions

Code	Size (Ga)	A	B	C
L196.1	1/2"	49	75	55
L196.2	3/4"	50	87	55
L196.3	1"	57	101	63
L196.4	1 1/4"	60	108	70
L196.5	1 1/2"	63	125	70
L196.6	2"	66	154	80
L196.7	2 1/2"	88	192	90
L196.8	3"	96	201	140
L196.9	4"	106	243	140

L197 Brass Gate Valve CxC



General Specification

- Compression Ends to BS EN1254-2
- Working Medium: Water
- Pressure Rating: PN16
- Approval: WRAS
- 5 Year Warranty



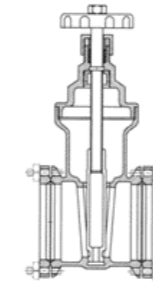
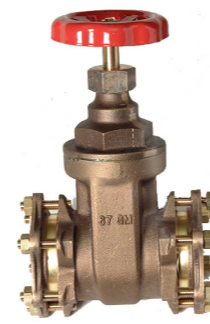
Material Specification

Part	Material
Body	Brass CW617N
Bonnet	Brass CW617N
Stem	Brass CW614N
Wedge	Brass CW617N
Gland	Brass CW614N
Compression Nut	Brass CW617N
Compression Cone	DZR Brass CW602N
Handwheel	Aluminium
Handwheel Nut	Brass CW6174N
Rating Disc	Aluminium

Product Codes & Dimensions

Code	Size (Ga)	A	B	C
L197.1	15mm	106	80	60
L197.2	22mm	127	85	65
L197.3	28mm	49	93	65
L197.4	35mm	50	121	80
L197.5	42mm	57	141	100
L197.6	54mm	60	164	110

L197 Large Brass Gate Valve CxC



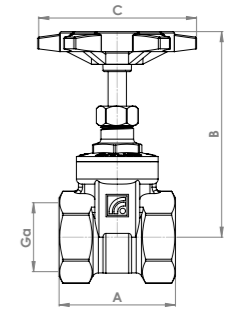
General Specification

- Temperature Pressure: 10 Bar @ 30°C
3 Bar @ 120°C

Product Codes & Dimensions

Code	Size (Da)	A	B	C
L197.7	67mm	131	208	100
L197.8	76mm	149	238	120
L197.9	108mm	194	309	200

L198 Gate Valve FxF



General Specification

- Working Medium: Water
- Pressure Rating: PN20
- Approval: WRAS
- 5 Year Warranty



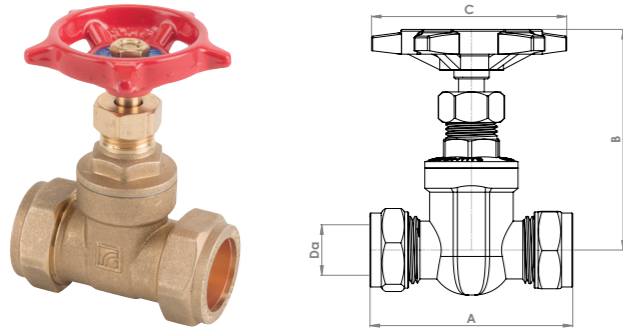
Material Specification

Part	Material
Body	Brass CW617N
Bonnet	Brass CW617N
Stem	Brass CW614N
Wedge	Brass CW617N
Gland	Brass CW614N
Handwheel	Aluminium
Handwheel Nut	Brass CW614N
Rating Disc	Aluminium

Product Codes & Dimensions

Code	Size (Ga)	A	B	C
L198.1	1/2"	40	70	58
L198.2	3/4"	70	79	660
L198.3	1"	84	91	65
L198.4	1 1/4"	87	106	80
L198.5	1 1/2"	112	127	95
L198.6	2"	63	144	105
L198.7	2 1/2"	69	196	115
L198.8	3"	80	213	145
L198.9	4"	102	240	145

P474 Gate Valve CxC



General Specification

- Compression Ends to BS EN 1254-2
- Working Medium: Water
- Pressure Rating: PN16
- Approval: WRAS
- 5 Year Warranty



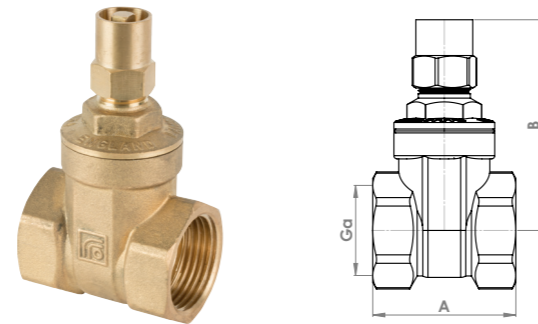
Material Specification

Part	Material
Body	Brass CW617N
Bonnet	Brass CW617N
Stem	Brass CW614N
Wedge	Brass CW617N
Gland	Brass CW614N
Handwheel	Aluminium
Handwheel Nut	Brass CW614N
Rating Disc	Aluminium

Product Codes & Dimensions

Code	Size (Da)	A	B	C
P474.1	15mm	34	70	58
P474.2	22mm	47	70	58
P474.3	28mm	54	85	63
P474.4	35mm	69	110	80
P474.5	42mm	76	130	92
P474.6	54mm	102	165	105

L198LS Lockshield Gate Valve FxF



General Specification

- Manufactured to: BS5154
- Pressure Rating: PN20
- 5 Year Warranty

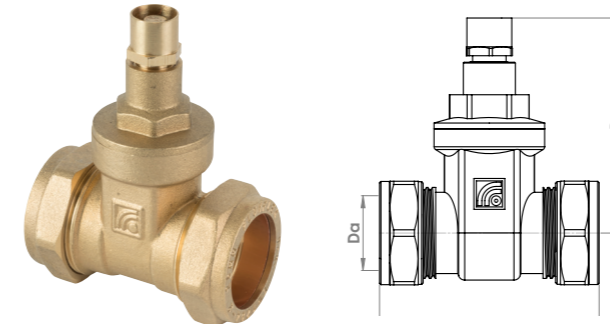
Material Specification

Part	Material
Housing	Brass CW617N
Gate	Brass CW617N
Housing Seal	PTFE
Column Lock	Brass CW617N
Column Washer	Brass CW617N
Drive Column	Brass CW617N
Housing Cap	Brass CW617N
Washer	PTFE
Lockshield	Brass CW617N

Product Codes & Dimensions

Code	Size (Ga)	A	B
L198LS.2	3/4"	70	70
L198LS.3	1"	84	70

P474LS Lockshield Gate Valve CxC



General Specification

- Manufactured to: BS5154
- Compression Ends: BS EN 1254-2
- 5 Year Warranty

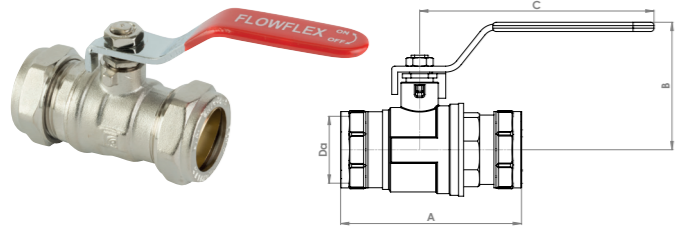
Material Specification

Part	Material
Housing	Brass CW617N
Gate	Brass CW617N
Housing Steel	PTFE
Column Lock	Brass CW617N
Column Washer	Brass CW617N
Drive Column	Brass CW614N
Housing Cap	Brass CW617N
Washer	PTFE
Lockshield	Brass CW614N
Olive	Copper
Nut	Brass CW617N

Product Codes & Dimensions

Code	Size (Da)	A	B
P474LS.1	15mm	31	60
P474LS.2	22mm	33	67
P474LS.3	28mm	33	67

711 Compression Lever Arm Ball Valve
Red Handle CxC



General Specification

- Pressure Rating: PN20
- Compression Ends: BS EN 1254-2
- 5 Year Warranty

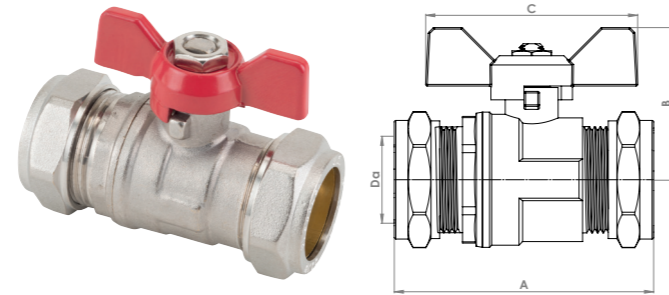
Material Specification

Part	Material
Body	Brass CW617N nickel-plated
Ball	Brass CW614N chrome-plated
Stem	Brass CW614N nickel-plated
Seat	PTFE
Friction Washer	PTFE
O-Ring	Nitrile butadiene rubber (NBR)
Lever	Steel chrome-plated
Handle Nut	Steel chrome-plated

Product Codes & Dimensions

Code	Size (Da)	A	B	C
7111	15mm	62	45	85
7112	22mm	69	49	85
7113	28mm	85	63	127
7114	35mm	109	76	139
7115	42mm	125	94	139
7116	54mm	141	99	160
7117	18mm	74	50	83

611 Compression Butterfly Handle Ball Valve



General Specification

- Pressure Rating: PN20
- Compression Ends: BS EN 1254-2
- 5 Year Warranty

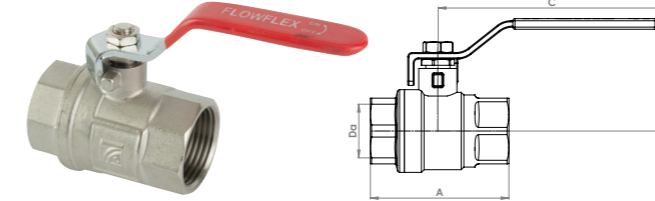
Material Specification

Part	Material
Body	Brass CW617N nickel-plated
Ball	Brass CW614N chrome-plated
Stem	Brass CW614N nickel-plated
Seat	PTFE
Friction Washer	PTFE
O-Ring	Nitrile butadiene rubber (NBR)
Lever	Lacquered aluminium
Handle Nut	Steel chrome-plated

Product Codes & Dimensions

Code	Size (Da)	A	B	C
6111	15mm	62	45	50
6112	22mm	71	36	52
6113	28mm	83	46	68
6117	18mm	70	45	50

811 Lever Arm Ball Valve Red Handle FxF



General Specification

- Pressure Rating: PN30
- 5 Year Warranty

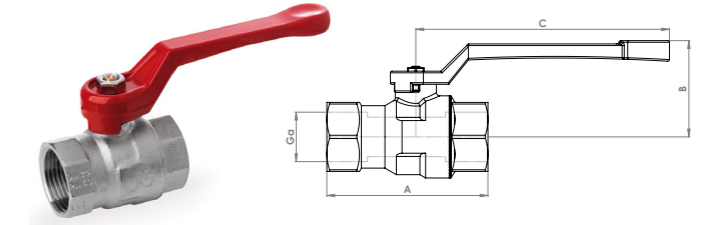
Material Specification

Part	Material
Body	Brass CW617N nickel-plated
Ball	Brass CW614N chrome-plated
Stem	Brass CW614N nickel-plated
Seat	PTFE
Friction Washer	PTFE
O-Ring	Nitrile butadiene rubber (NBR)
Lever	Steel chrome-plated
Handle Nut	Steel chrome-plated

Product Codes & Dimensions

Code	Size (Da)	A	B	C
8111	1/2"	84	40	85
8112	3/4"	94	47	85
8113	1"	119	62	99
8114	1 1/4"	142	75	117
8115	1 1/2"	169	82	117
8116	2"	40	87	132
8117	2 1/2"	44	119	235
8118	3"	55	127	235
8119	4"	57	142	235

FTH4021NP Lever Arm Water Ball Valve



General Specification

- Pressure Rating: 1/4" to 1" PN40
1 1/4" to 2" PN30
- Working Temperature: -10°C to 95°C
- Female Thread to: ISO 228

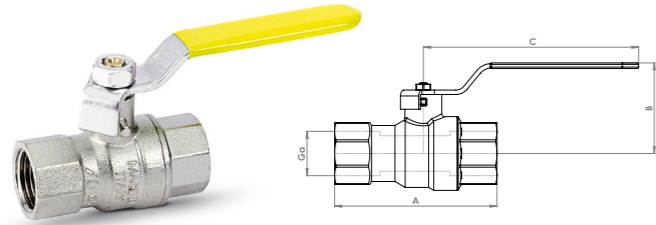
Material Specification

Part	Material
Body	Brass CW617N UNI-EN 12165 nickel-plated
Seal	PTFE
Ball	Brass CW617N UNI-EN 12165 chrome-plated
End Connection	Brass CW617N UNI-EN 12165 nickel-plated
Stem	Brass CW617N UNI-EN 12164
O-Ring	Nitrile butadiene rubber (NBR)
Nut	Galvanised iron
Lever	Lacquered aluminium

Product Codes & Dimensions

Code	Size (Ga)	A	B	C
FTH4021NP.14	1/4"	39	39	95
FTH4021NP.38	3/8"	39	39	95
FTH4021NP.12	1/2"	49	45	95
FTH4021NP.34	3/4"	55	49	95
FTH4021NP.1	1"	65	56	123
FTH4021NP.114	1 1/4"	77	69	123
FTH4021NP.112	1 1/2"	90	80	150
FTH4021NP.2	2"	104	87	150

FTH4451NP Lever Arm Gas Ball Valve
Yellow Handle FxF



General Specification

- Pressure Class: MOP5
- Working Temperature: -20°C to 60°C
- Female Threads to: EN10226-1

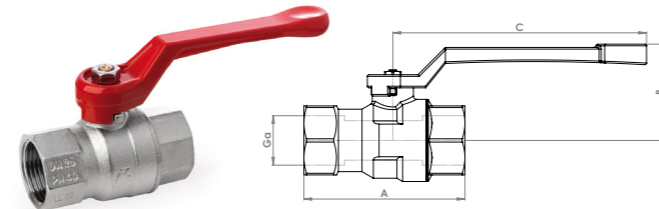
Material Specification

Part	Material
Body	Brass CW617N UNI-EN 12165 nickel-plated
Seal	PTFE
Ball	Brass CW617N UNI-EN 12165 chrome-plated
End Connection	Brass CW617N UNI-EN 12165 nickel-plated
Stem	Brass CW617N UNI-EN 12164
O-Ring	VITON
Washer	PTFE
Nut	Galvanised iron
Lever	Galvanised iron and PVC coated

Product Codes & Dimensions

Code	DN	A	B	C	Ga
FTH4451NP.12	15	59	41	95	1/2"
FTH4451NP.34	20	68	46	95	3/4"
FTH4451NP.1	25	80	56	120	1"
FTH4451NP.114	32	96	63	120	1 1/4"
FTH4451NP.112	40	106	80	150	1 1/2"
FTH4451NP.2	50	130	88	150	2"

FTH4461NP Lever Arm Water Ball Valve
Red Handle FxF



General Specification

- Pressure Rating: 15 - 25mm PN40
32 - 50mm PN30
- Working Temperature: -10°C to 95°C
- Female Threads to: EN10226-1

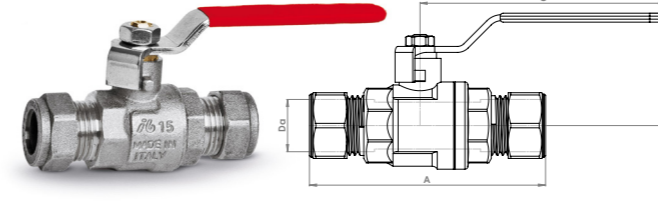
Material Specification

Part	Material
Body	Brass CW617N UNI-EN 12165 nickel-plated
Seal	PTFE
Ball	Brass CW617N UNI-EN 12165 chrome-plated
End Connection	Brass CW617N UNI-EN 12165 nickel-plated
Stem	Brass CW617N UNI-EN 12164
O-Ring	Nitrile butadiene rubber (NBR)
Washer	PTFE
Nut	Galvanised iron
Lever	Lacquered aluminium

Product Codes & Dimensions

Code	DN	A	B	C	Ga	PN
FTH4461NP.12	15	59	43	92	1/2"	40
FTH4461NP.34	20	68	52	115	3/4"	40
FTH4461NP.1	25	80	59	115	1"	40
FTH4461NP.114	32	96	69	125	1 1/4"	40
FTH4461NP.112	40	106	81	150	1 1/2"	40
FTH4461NP.2	50	130	89	150	2"	40

FCP4461NP Water Ball Valve Red Handle CxC



General Specification

- Pressure Rating: PN40
- Working Temperature: -10°C to 95°C
- Compression Ends to: BS EN1254-2

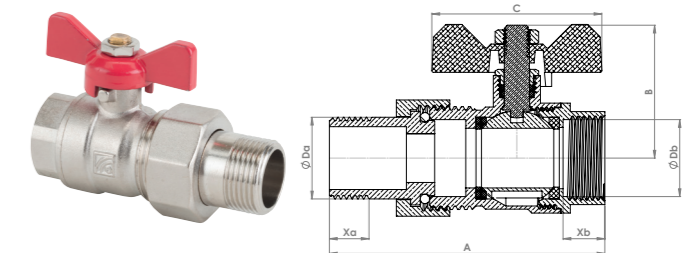
Material Specification

Part	Material
Body	Brass CW617N UNI-EN 12165 nickel-plated
Nut	DZR Brass CW511L UNI-EN 12164 nickel-plated
Olive	Brass CW508L UNI-EN 12449
Seal	PTFE
Ball	Brass CW617N UNI-EN 12165 chrome-plated
End Connection	Brass CW617N UNI-EN 12165 nickel-plated
Stem	Brass CW617N UNI-EN 12164
O-Ring	Nitrile butadiene rubber (NBR)
Nut	Galvanised iron
Lever	Lacquered aluminium

Product Codes & Dimensions

Code	DN	A	B	C	Da	PN
FCP4461NP.15	15	79	42	95	15	40
FCP4461NP.22	20	85	46	95	22	40
FCP4461NP.28	25	102	58	120	28	40

PX811 Mi x Fi Union Ball Valve



General Specification

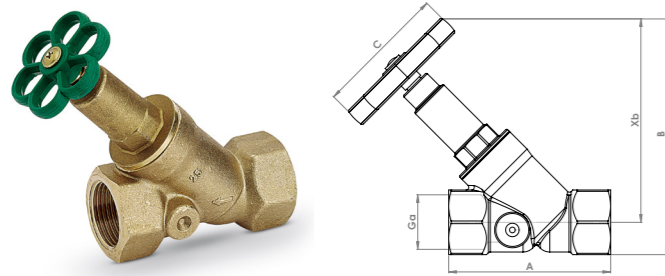
- Pressure Rating: PN40
- Working Temperature: -10°C to 95°C
- Thread to: ISO 228
- 5 Year Warranty

Product Codes & Dimensions

Code	Handle	Size	A	B	C	Xa	Xb
PX8112	Red Butterfly	3/4"	86	44	57	13	12
PX8113	Blue Butterfly	3/4"	86	44	57	13	12

Angle Seat, Swing & Check Valves

FTH4811 Angle Seat Valve



General Specification

- Pressure Rating: PN16
- Working Temperature: 0°C to 60°C
- Female Thread to: EN10226-1

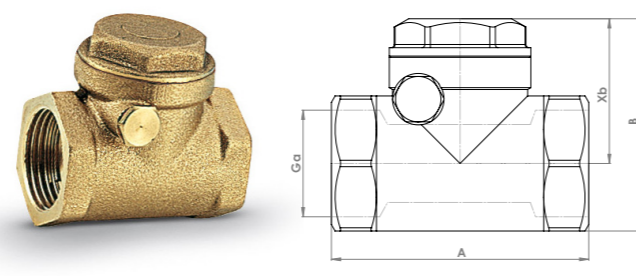
Material Specification

Part	Material
Body	Brass CW617N UNI-EN 12165
Upper part body	Brass CW617N UNI-EN 12164 Brass CW617N UNI-EN 12165
O-Ring	KTW approved EPDM perox
Upper part stem	Brass CW617N UNI-EN 12164
Snap ring	Bronze CC491K
O-Ring	KTW approved EPDM perox
Valve	Brass CW617N UNI-EN 12164
O-Ring	KTW approved EPDM perox
Hose-end disc	Brass CW617N UNI-EN 12164
Gasket	KTW approved EPDM perox
Washer	Brass CW508L UNI-EN 1652
Self-locking nut	Brass CW617N
Handwheel	Plastic
Screw	Brass CW508L UNI-EN 12166

Product Codes & Dimensions

Code	DN	A	B	C	Xb	Ga	PN
FTH4811.12	15	65	93	50	79	1/2"	16
FTH4811.34	20	75	106	55	90	3/4"	16
FTH4811.1	25	90	123	55	103	1"	16
FTH4811.114	32	110	150	70	125	1 1/4"	16
FTH4811.112	40	120	163	70	136	1 1/2"	16
FTH4811.2	50	150	188	70	153	2"	16

FTH4781 Brass Swing Check Valve Metal Seat



General Specification

- Pressure Rating: 3/8" to 1" PN10
1 1/4" to 2" PN8
2 1/2" to 4" PN6
- Working Temperature: 0°C to 80°C
- Female Thread to: ISO 228

Material Specification

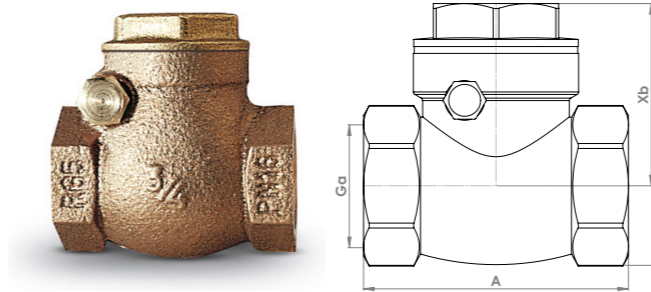
Part	Material
Body	Brass CW617N UNI-EN 12165
Cap	Brass CW617N (for 1/2") UNI-EN 12164 - Brass CW617N (from 3/4" to 2") UNI-EN 12165
O-Ring	Nitrile butadiene rubber (NBR)
Pin	Brass CW617N UNI-EN 12164
Clapet	Brass CW617N UNI-EN 12165
M8 Cap	Brass CW617N UNI-EN 12164
O-Ring	Nitrile butadiene rubber (NBR)

Product Codes & Dimensions

Code	DN	A	B	Xb	Min. bore	Ga	PN
FTH4781.38	10	43	46	25	13	3/8"	10
FTH4781.12	15	44	46	32	13	1/2"	10
FTH4781.34	20	52	55	37	17	3/4"	10
FTH4781.1	25	62	63	41	25	1"	10
FTH4781.114	32	72	76	49	30	1 1/4"	8
FTH4781.112	40	80	85	54	35	1 1/2"	8
FTH4781.2	50	93	100	60	45	2"	8
FTH4781.212	65	118	107	65	55	2 1/2"	6
FTH4781.3	80	135	130	85	70	3"	6
FTH4781.4	100	164	159	109	90	4"	6

Angle Seat, Swing & Check Valves

FTH4784 Bronze Metal Seat Swing Check Valve



General Specification

- Pressure Rating: PN16
- Working Temperature: 0°C to 95°C
- Female Thread to: ISO 228

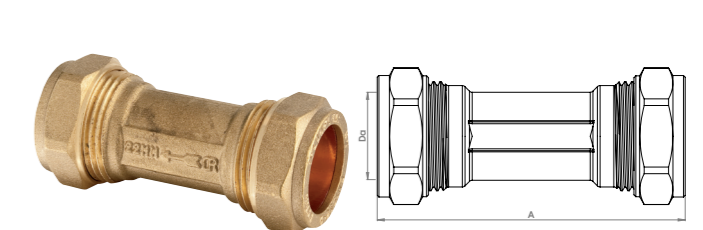
Material Specification

Part	Material
Body	Bronze CC491K UNI-EN 1998:2000
Cap	Brass CW617N (for 1/2") UNI-EN 12164 - Brass CW617N (from 3/4" to 2") UNI-EN 12165
O-Ring	Nitrile butadiene rubber (NBR)
Pin	Brass CW617N UNI-EN 12164
Clapet	Brass CW617N UNI-EN 12165
M8 Cap	Brass CW617N UNI-EN 12164
O-Ring	Nitrile butadiene rubber (NBR)

Product Codes & Dimensions

Code	DN	A	B	Xb	Ga	PN
FTH4784.12	15	55	53	36	1/2"	16
FTH4784.34	20	62	64	43	3/4"	16
FTH4784.1	25	72	73	49	1"	16
FTH4784.114	32	82	85	57	1 1/4"	16
FTH4784.112	40	90	95	63	1 1/2"	16
FTH4784.2	50	105	107	69	2"	16
FTH4784.212	65	125	128	82	2 1/2"	16
FTH4784.3	80	144	145	91	3"	16
FTH4784.4	100	176	192	123	4"	16

P470 Single Check Valve



General Specification

- xxx
- xxx
- 5 Year Warranty

Material Specification

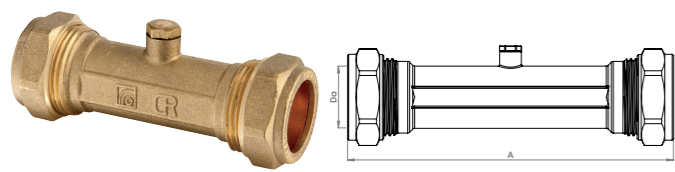
Part	Material
Body	Brass CW617N
Olive	Copper
Nut	Brass CW617N
Insert	Plastic
Insert Seal	Nitrile butadiene rubber (NBR)
Insert Retainer	AISI 304 stainless steel

Product Codes & Dimensions

Code	Size (Da)	A
P470.11	15mm	58
P470.22	22mm	62
P470.33	28mm	89

Angle Seat, Swing & Check Valves

P470DR Double Check Valve



General Specification

- xxxx
- xxxx
- 5 Year Warranty

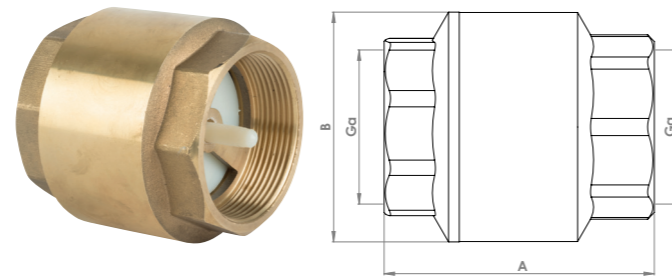
Material Specification

Part	Material
Body	Brass CW617N
Olive	Copper
Nut	Brass CW617N
Insert	Plastic
Insert Seal	Nitrile butadiene rubber (NBR)
Insert Retainer	AISI 304 stainless steel

Product Codes & Dimensions

Code	Size	A
P470DR.1	15mm	79
P470DR.2	22mm	95

SPV Spring Check Valve



General Specification

- Pressure Rating: PN10
- Working Temperatures: -20°C to 100°C
- 5 Year Warranty

Material Specification

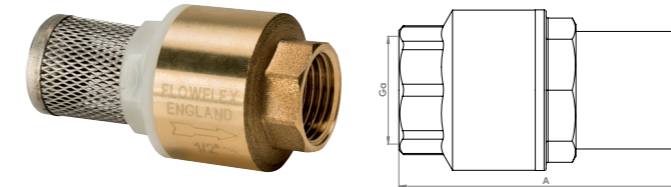
Part	Material
Body	Brass CW617N
Spring	AISI 304 stainless steel
Plunger	Nylon
Washer	Nitrile butadiene rubber (NBR)

Product Codes & Dimensions

Code	Size (Ga)	Max Pressure	A	B
SPV.1	1/2"	10	75	35
SPV.2	3/4"	10	80	41
SPV.3	1"	10	92	45
SPV.4	1 1/4"	8	101	56
SPV.5	1 1/2"	8	121	65
SPV.6	2"	8	46	80
SPV.7	2 1/2"	6	53	95
SPV.8	3"	6	61	109
SPV.9	4"	6	72	110

Foot & Float Valves & Strainers

SPF Foot Valve



General Specification

- Pressure Rating: PN10
- Working Temperatures: -20°C to 100°C
- 5 Year Warranty

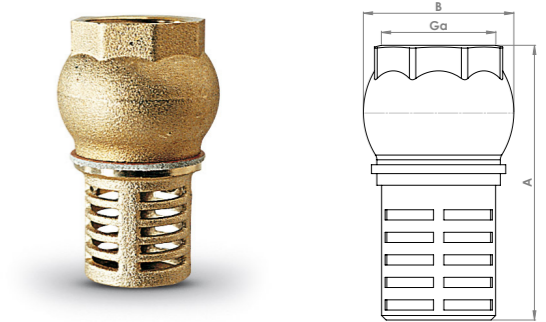
Material Specification

Part	Material
Body	Brass CW617N
Spring	AISI 304 stainless steel
Plunger	Nylon
Nut	Nylon
Mesh	AISI 304 stainless steel
Washer	Nitrile butadiene rubber (NBR)

Product Codes & Dimensions

Code	Size (Ga)	Max Pressure	A
SPF.1	1/2"	10	116
SPF.2	3/4"	10	140
SPF.3	1"	10	148
SPF.4	1 1/4"	8	177
SPF.5	1 1/2"	8	195
SPF.6	2"	8	45
SPF.7	2 1/2"	6	48
SPF.8	3"	6	53
SPF.9	4"	6	67

FTH4881 Foot Valve



General Specification

- Pressure Rating: 3/8" to 1" PN10
1 1/4" to 2" PN8
2 1/2" to 4" PN6
- Working Temperature: 0°C to 60°C
- Female Thread to: ISO 228

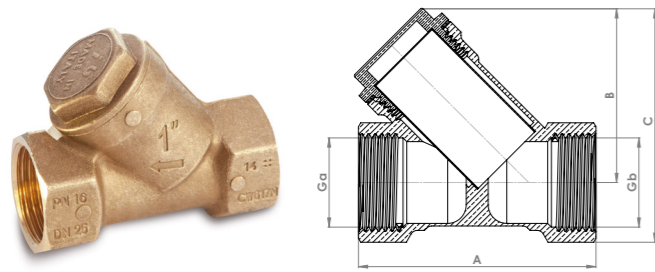
Material Specification

Part	Material
Body	Brass CW617N UNI-EN 12165
Filter	Brass UNI-EN 1982-CB753S
Filter Gasket	Fabric
Shutter	Brass CW617N UNI-EN 12165
Seal Gasket	Nitrile butadiene rubber (NBR)

Product Codes & Dimensions

Code	DN	A	B	Ga	PN
FTH4881.12	15	61	39	1/2"	10
FTH4881.34	20	70	45	3/4"	10
FTH4881.1	25	82	51	1"	10
FTH4881.114	32	95	61	1 1/4"	8
FTH4881.112	40	103	69	1 1/2"	8
FTH4881.2	50	121	80	2"	8
FTH4881.212	65	140	100	2 1/2"	6
FTH4881.3	80	175	121	3"	6
FTH4881.4	100	195	141	4"	6

FTH5181 Brass Y Strainer



General Specification

- Strainer: 350 micron hole - 50 mesh
- Female Thread: ISO228
- Working Temperature: 0°C to 95°C
- Pressure Rating: PN16

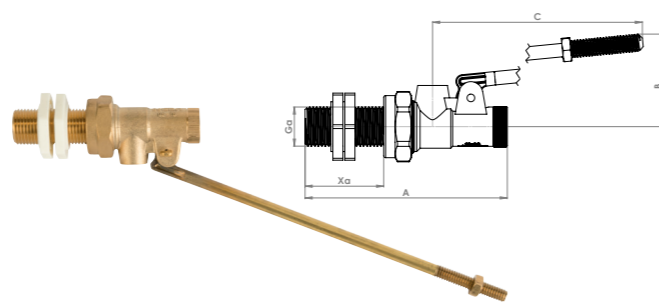
Material Specification

Part	Material
Body	Brass CW617N UNI-EN 12165
Cap	Brass CW617N UNI-EN 12164 (for 3/8" and 1/2") - Brass CW617 UNI-EN 12165 (for 3/4" to 2")
Cap Gasket	Nitrile butadiene rubber (NBR)
Strainer	AISI 304 stainless steel

Product Codes & Dimensions

Code	Size (Ga, Gb)	A	B	C	DN	PN
FTH5181.38	3/8"	57	34	48	10	16
FTH5181.12	1/2"	57	34	48	15	16
FTH5181.34	3/4"	66	41	58	20	16
FTH5181.1	1"	80	51	73	25	16
FTH5181.114	1 1/4"	92	62	88	32	16
FTH5181.112	1 1/2"	101	69	98	40	16
FTH5181.2	2"	121	86	121	50	16

BV.04 Part 1 High Pressure Ball Valves



General Specification

- Pressure Rating: PN14
- Working Temperature: 0°C to 85°C

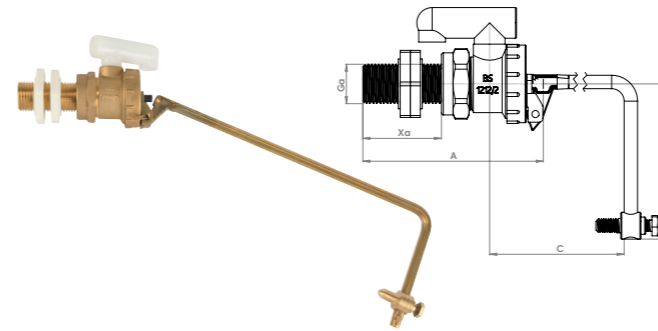
Material Specification

Part	Material
Body	Brass CW617N
Washer	Fibre compound
Float Arm	Brass CW617N
MI Body	Brass CW617N
MI Body Nut	Brass CW614N
Nozzle	Plastic
Nut	Brass CW617N
Flange Nut	Plastic
Sealing Disc	Nitrile butadiene rubber (NBR)
Valve Cap	Plastic
Shuttle	Brass CW614N

Product Codes & Dimensions

Code	Size (Ga)	A	B	C	Xa
BV.04	1/2"	106	41	224	41

BV.05 Part 2 High Pressure Ball Valves



General Specification

- Complies with: BS1212-2

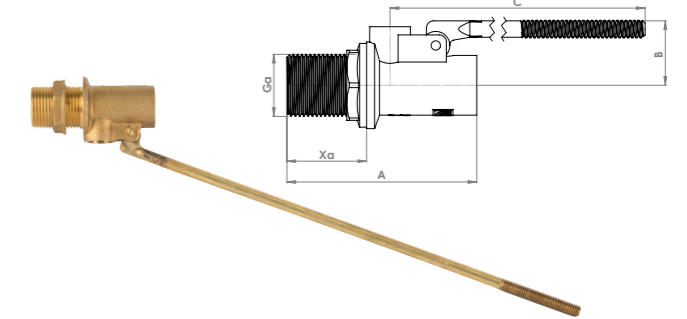
Material Specification

Part	Material
Body	Brass CW617N
Washer	Fibre compound
Float Arm	Brass CW617N
MI Body	Brass CW617N
MI Body Nut	Brass CW617N
Nozzle	Plastic
Nut	Brass CW614N
Flange Nut	Plastic
Sealing Disc	Nitrile butadiene rubber (NBR)
Valve Cap	Plastic
Valve Cap Nut	Brass CW617N
Shuttle	Brass CW614N
Exit Pipe	Plastic

Product Codes & Dimensions

Code	Size (Ga)	A	B	C	Xa
BV.05	1/2"	92	81	228	29

BVV MOH Brass Float Valve



General Specification

- Pressure Rating: PN14
- Working Temperature: 0°C to 85°C

Material Specification

Part	Material
Body	Brass CW617N
Washer	Nitrile butadiene rubber (NBR)
Float Arm	Brass CW617N
Flange Nut	Brass CW614N
Nut	Brass CW614N
Shuttle	Brass CW614N

Product Codes & Dimensions

Code	Size (Ga)	Seat Bore	Tail Length	Lever Size	Float size
BVV.11	1/2"	1/8"	1 1/4"	10 x 5/16"	4 1/2" x 5/16"W
BVV.12	3/4"	1/4"	1 1/2"	13 x 5/16"	5" x 5/16"W
BVV.13	1"	3/8"	1 1/2"	14 x 3/8"	6" x 3/8"W
BVV.14	1 1/4"	1/2"	2"	17 x 3/8"	8" x 3/8"W
BVV.15	1 1/2"	5/8"	2"	21 x 1/2"	10" x 1/2"W
BVV.16	2"	5/8"	2"	21 x 1/2"	10" x 1/2"W

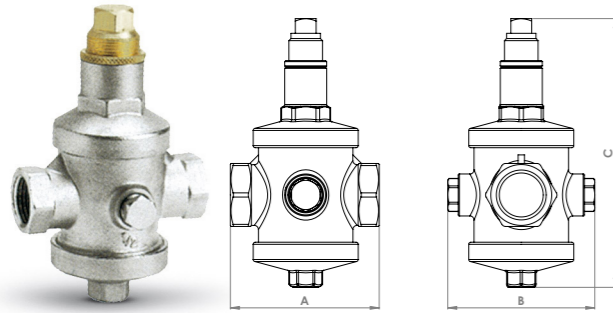
Code	A	B	C	Xa
BVV.11	76	31	268	31
BVV.12	81	35	366	33
BVV.13	92	49	42	38
BVV.14	105	49	466	48
BVV.15	111	58	480	49
BVV.16	123	69	514	50

Flow Rate & Size Selection Chart (GPM)

	1/2"	3/4"	1"	1 1/4"	1 1/2"	2"
0.25	0.82	1.85	2.50	5.90	11.70	
0.35	1.16	2.60	3.50	8.30	16.50	
0.50	1.65	3.70	4.90	11.80	23.50	
0.70	2.33	5.20	6.90	16.60	33.70	
0.93	3.10	6.90	9.20	21.90	43.10	
1.10	3.70	8.20	11.00	26.30	52.50	
1.40	4.50	10.10	13.50	32.30	64.40	
1.60	5.20	11.70	15.60	37.30	74.40	
1.76	5.80	13.00	17.40	41.60	83.10	
1.93	6.40	14.30	19.10	45.60	91.00	
2.10	6.90	15.40	20.60	49.20	98.30	
2.20	7.40	16.50	22.00	52.60	105.00	

Pressure Reducing Valves & Bib Tap

FTH4891NP Pressure Reducer



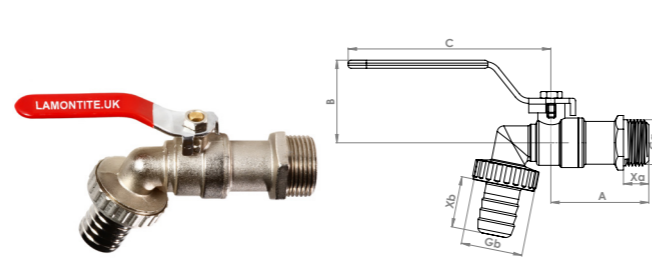
General Specification

- Pressure Rating: PN25
- Outlet Regulation: 1/2" to 1" = 0.5 - 5 Bar
1 1/4" to 2" = 1 - 5.5 Bar
- Factory set pressure: 3 bar
- Working Temperature: 0°C to 80°C

Product Codes & Dimensions

Code	Size	A	B	C
FTH4891NP.12	1/2"	70	68	128
FTH4891NP.34	3/4"	74	68	128
FTH4891NP.1	1"	90	80	160
FTH4891NP.114	1 1/4"	126	92	230
FTH4891NP.112	1 1/2"	126	92	230
FTH4891NP.2	2"	154	110	260

L480 Bib Tap



General Specification

- Pressure Rating: PN10
- Working Temperature: -20°C to 100°C
- 5 Year Warranty

Material Specification

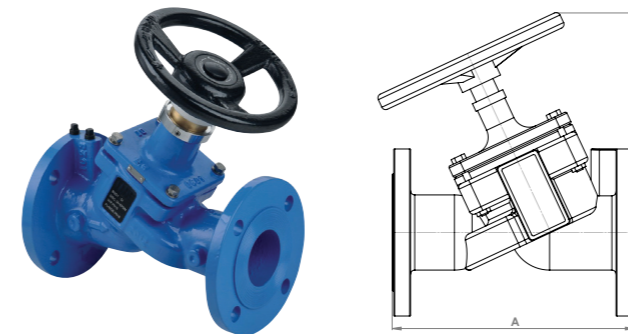
Part	Material
Body	Brass CW617N nickel-plated
Male Threaded Body	Brass CW617N nickel-plated
Ball	Brass CW614N chrome-plated
Sealing Rings	PTFE
Drive Column	Brass CW617N
Lever	Steel
Lever Nut	Brass CW614N chrome-plated
Washer	Nitrile butadiene rubber (NBR)
Male Tap Piece	AISI 304 stainless steel
Sealing Nut	AISI 304 stainless steel

Product Codes & Dimensions

Code	Size (Ga)	A	B	C	Xa	Xb
L480.2	1/2"	85	40	79	12	21
L480.3	3/4"	104	43	79	13	24
L480.4	1"	116	52	102	14	31

Commercial Valves

FFL4807 Fixed Orifice Double Regulating Valve (FODRV)



General Specification

- Pressure Rating: PN16
- Working Temperature: -10°C to 120°C
- Flange to: EN 1092-2
- Complies with: BS7350

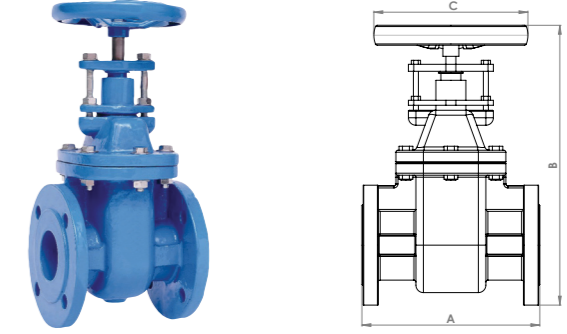
Material Specification

Part	Material	Specification
Body	Ductile iron	EN-JL 1050
Bonnet	Ductile iron	EN-JL 1050
Stem	Stainless steel	BS970 410S21
Disc	EPDM coated ductile iron	EN-JL 1050
Gland	Brass	CW617N
Gland	Ductile iron	EN-JL 1050
Stem Nut	Brass	CW617N
Handwheel	Ductile iron	EN-JL 1050
Test Points	Brass	CW602N
Orifice Plate	Brass	CW617N
Packing	Graphite	Non-asbestos

Product Codes & Dimensions

Code	Size	A	B
FFL4807.212	65	290	265
FFL4807.3	80	310	270
FFL4807.4	100	350	310
FFL4807.5	125	400	340
FFL4807.6	150	480	340
FFL4807.8	200	600	537
FFL4807.10	250	730	570
FFL4807.12	300	850	690

FFL4187 Gate Valve Non Rising Stem



General Specification

- Pressure Rating: PN16
- Working Temperature: -10°C to 120°C
- Manufacture Conforms to: BS5150
- Flange Conforms to: EN 1092-2

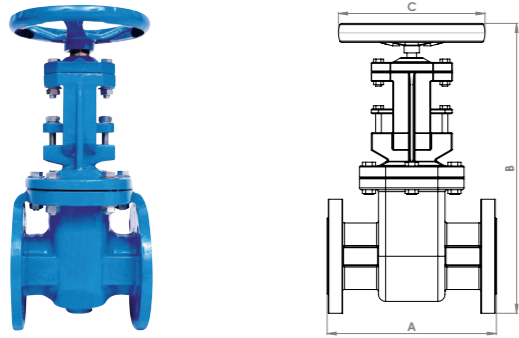
Material Specification

Part	Material	Specification
Body	Ductile iron	EN-JL 1050
Bonnet	Ductile iron	EN-JL 1050
Disc	Ductile iron	EN-JL 1050
Seat Ring	Bronze	CC491K
	Brass	CW603N
Stem	Stainless steel	BS970 420S37
Packing	Graphite	Asbestos-free
Handwheel	Cast iron	EN-JL 1040

Product Codes & Dimensions

Code	Size	A	B	C
FFL4187.50	50	178	278	180
FFL4187.65	65	190	312	180
FFL4187.80	80	203	327	200
FFL4187.100	100	229	400	250
FFL4187.125	125	254	489	300
FFL4187.150	150	267	544	300
FFL4187.200	200	292	632	350
FFL4187.250	250	330	772	400
FFL4187.300	300	356	863	450

FFL4827 OS & Y Metal Seated Gate Valve



General Specification

- Pressure Rating: PN16
- Working Temperature: -10°C to 120°C
- Manufacture Conforms to: BS5150
- Flange Conforms to: EN 1092-2
- Testing Conforms to: BS6755

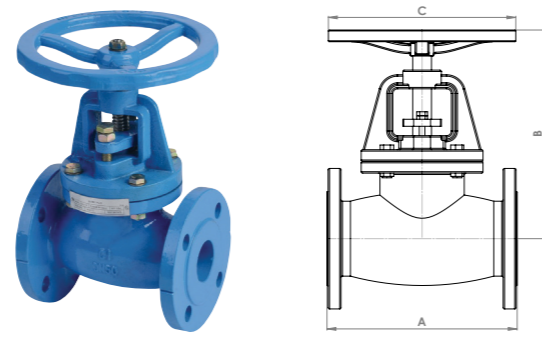
Material Specification

Part	Material	Specification
Body	Ductile iron	EN-JL 1050
Bonnet	Ductile iron	EN-JL 1050
Disc	Ductile iron	EN-JL 1050
Seat Ring	Bronze	CC491K
	Brass	CW603N
Stem	Stainless steel 420	BS970 420S37
Packing	Graphite	Asbestos-free
Handwheel	Cast iron	EN-JL 1040

Product Codes & Dimensions

Code	Size	A	B	C
FFL4827.50	50	178	375	200
FFL4827.65	65	190	408	200
FFL4827.80	80	203	441	200
FFL4827.100	100	229	544	250
FFL4827.125	125	254	643	250
FFL4827.150	150	267	770	300
FFL4827.200	200	292	958	350
FFL4827.250	250	330	1255	450
FFL4827.300	300	356	1442	450

FFL4837 Globe Valve



General Specification

- Pressure Rating: PN16
- Working Temperature: -10°C to 120°C
- Manufacture Conforms to: BS5163
- Flange Conforms to: EN 1092-2
- Testing Conforms to: BS6755

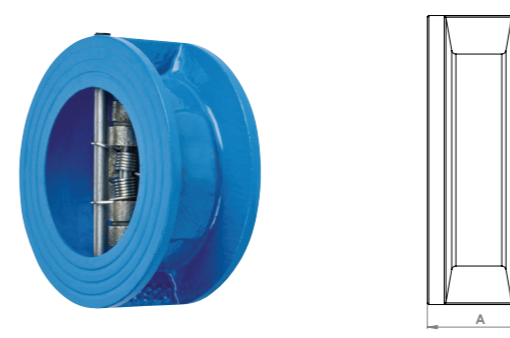
Material Specification

Part	Material	Specification
Body	Cast iron	EN-JL 1040
Bonnet	Cast iron	EN-JL 1040
Disc	Stainless steel 420 (15-20)	
	Cast iron (65-300mm)	EN-JL 1040
Seat Ring	Stainless steel 420	BS970 420S37
Stem	Stainless steel 420	BS970 420S37
Packing	Graphite	Asbestos-free
Handwheel	Cast iron	EN-JL 1040

Product Codes & Dimensions

Code	Size	A	B	C
FFL4837.50	50	203	282	200
FFL4837.65	65	216	292	200
FFL4837.80	80	241	337	255
FFL4837.100	100	292	394	255
FFL4837.125	125	330	445	306
FFL4837.150	150	356	495	360
FFL4837.200	200	495	635	360
FFL4837.250	250	622	775	406
FFL4837.300	300	698	858	406

FFL4517 Wafer Type Double Door Check Valve



General Specification

- Pressure Rating: PN16/CLASS 125
- Working Temperature: -20°C to 110°C (EPDM)
-10°C to 80°C (Rubber)

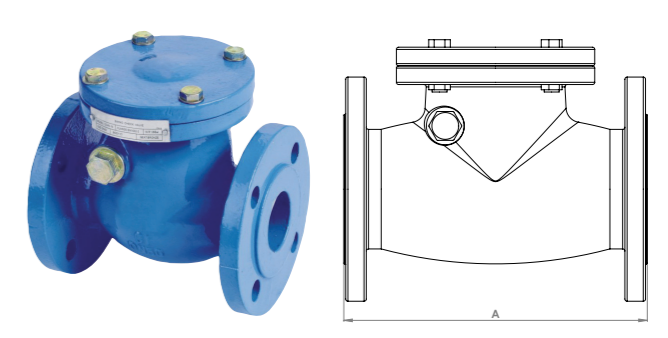
Material Specification

Part	Material	Specification
Body	Ductile iron	AS36 65-45-12
Disc	Stainless steel 316	A351 CF8M
Stem	Stainless steel 316	S31600
Seat Ring	EPDM/rubber	Commercial
Spring	Stainless steel 304	S30400

Product Codes & Dimensions

Code	Size	A
FFL4517.50	50	43
FFL4517.65	65	46
FFL4517.80	80	64
FFL4517.100	100	64
FFL4517.125	125	70
FFL4517.150	150	76
FFL4517.200	200	89
FFL4517.250	250	114
FFL4517.300	300	114
FFL4517.350	350	127
FFL4517.400	400	140
FFL4517.450	450	152
FFL4517.500	500	152
FFL4517.600	600	178
FFL4517.700	700	229
FFL4517.800	800	241

FFL4767 Swing Type Check Valve



General Specification

- Pressure Rating: PN16
- Working Temperature: -10°C to 120°C
- Conforms to: EN12334 (BS5153)

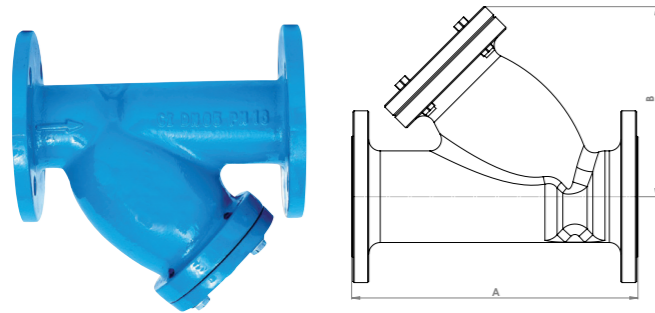
Material Specification

Part	Material	Specification
Body	Cast iron	EN-JL 1040
Cover	Cast iron	EN-JL 1040
Disc	Cast iron	EN-JL 1040
Body Seat Ring	Bronze	CC491K
Disc Ring	Bronze	CC491K
Cap Bolts	Steel	BS 3692 Gr.8.8
Cap Bolt Nut	Steel	BS 3692 Gr.8.8
Gasket	Asbestos-free	
Body Plate	Aluminium	

Product Codes & Dimensions

Code	Size	A
FFL4767.50	50	203
FFL4767.65	65	216
FFL4767.80	80	241
FFL4767.100	100	292
FFL4767.125	125	330
FFL4767.150	150	356
FFL4767.200	200	495
FFL4767.250	250	622
FFL4767.300	300	698

FFL5187 Y Type Strainer



General Specification

- Pressure Rating: PN16
- Flange Conforms to: EN1092-2
- Testing Conforms to: BS6755

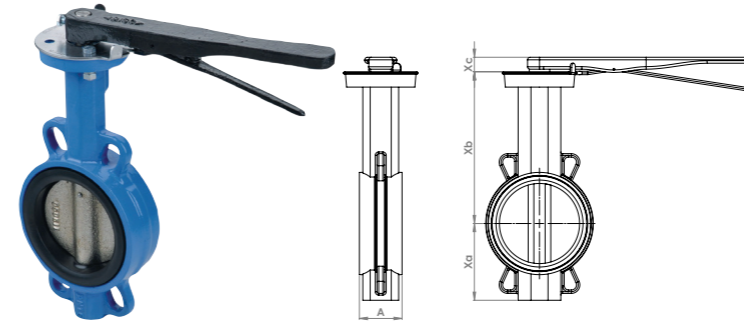
Material Specification

Part	Material	Specification
Body	Ductile iron	EN-JL 1050
Cap	Ductile iron	EN-JL 1050
Screen	Stainless steel 304	BS907 304S15
Blowoff Plug	Carbon steel	

Product Codes & Dimensions

Code	Size	A	B
FFL5187.50	50	223	150
FFL5187.65	65	273	189
FFL5187.80	80	292	213
FFL5187.100	100	352	226
FFL5187.125	125	416	273
FFL5187.150	150	470	301
FFL5187.200	200	543	370
FFL5187.250	250	660	457
FFL5187.300	300	762	540
FFL5187.350	350	980	740
FFL5187.400	400	1100	850
FFL5187.450	450	1200	800

FFL4507 Wafer Type Butterfly Valve



General Specification

- Pressure Rating: PN16
- Working Medium: Water, Oil, Gas
- Working Temperature: -20°C to 110°C (EPDM Seat)
-10°C to 80°C (Rubber Seat)
- Manufactured to: BS EN593

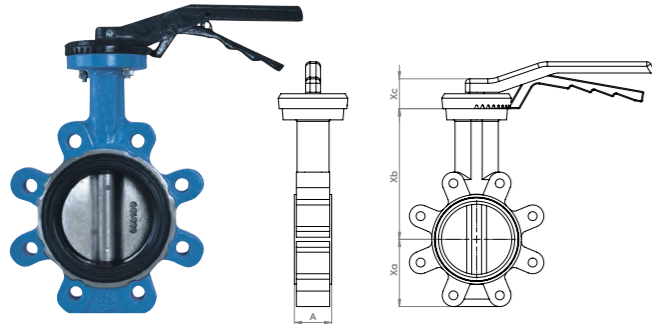
Material Specification

Part	Material	Specification
Body	Ductile iron	A536 Gr. 65-45-12
Disc	AISI 304 stainless steel 304	A351 CF-8
	AISI 304 stainless steel 316	A351 CF-8M
Shaft	AISI 304 stainless steel 410	A276 S 410 00
	AISI 304 stainless steel 431	A276 S 431 00
Seat	EPDM/Nitrile butadiene rubber (NBR)	
	EPDM/Nitrile butadiene rubber (NBR)	
O-Ring	PTFE	
	PTFE	
Bushing	Bronze CC491K	B62 C83600

Product Codes & Dimensions

Code	Size	A	X	Xb	Xc
FFL4507.40	40	33	68	110	24
FFL4507.50	50	42	80	161	30
FFL4507.65	65	45	89	175	30
FFL4507.80	80	45	95	181	30
FFL4507.100	100	51	114	200	30
FFL4507.125	125	55	127	213	30
FFL4507.150	150	55	139	226	30
FFL4507.200	200	60	175	260	34
FFL4507.250	250	67	203	292	34
FFL4507.300	300	76	242	337	34
FFL4507.350	350	76	267	368	40
FFL4507.400	400	102	316	400	52
FFL4507.450	450	114	334	422	52
FFL4507.500	500	127	370	480	64
FFL4507.550	550	151	433	533	70
FFL4507.600	600	151	468	562	70
FFL4507.650	650	172	484	540	95
FFL4507.700	700	165	530	626	95
FFL4507.750	750	167	554	660	95
FFL4507.800	800	188	605	666	130
FFL4507.900	900	203	668	720	130
FFL4507.1000	1000	216	728	806	130
FFL4507.1200	1200	276	855	938	150

FFL4537 Lug Type Butterfly Valve



General Specification

- Pressure Rating: PN16
- Working Medium: Water, Oil, Gas
- Working Temperature: 20°C to 110°C (EPDM Seat)
-10°C to 80°C (Rubber Seat)
- Manufactured to: BS EN593

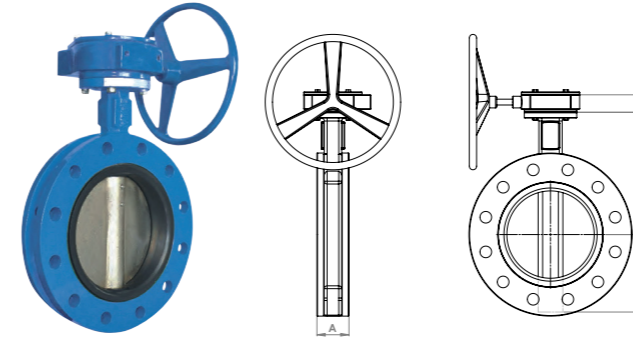
Material Specification

Part	Material	Specification
Body	Ductile Iron	A536 Gr. 65-45-12
Disc	Ductile Iron	A536 Gr. 65-45-12
	Bronze CC491K	B148 C95400
	AISI 304 Stainless steel 304	A351 CF-8
Shaft	AISI 304 Stainless steel 316	A351 CF-8M
	AISI 304 Stainless steel 410	A276 S 410 00
	AISI 304 Stainless steel 431	A276 S 431 00
Seat	EPDM / Nitrile butadiene rubber (NBR)	
O-Ring	EPDM / Nitrile butadiene rubber (NBR)	
Bushing	Bronze CC491K	B62 C83600

Product Codes & Dimensions

Code	Size	A	Xa	Xb	Xc
FFL4537.40	40	33	68	110	24
FFL4537.50	50	42	80	161	30
FFL4537.65	65	45	89	175	30
FFL4537.80	80	45	95	181	30
FFL4537.100	100	51	114	200	30
FFL4537.125	125	55	127	213	30
FFL4537.150	150	55	139	226	30
FFL4537.200	200	60	175	260	34
FFL4537.250	250	67	203	292	34
FFL4537.300	300	76	242	337	34
FFL4537.350	350	76	267	368	40
FFL4537.400	400	102	316	400	52
FFL4537.450	450	114	334	422	52
FFL4537.500	500	127	370	480	64
FFL4537.550	550	151	433	533	70
FFL4537.600	600	151	468	562	70
FFL4537.650	650	172	484	540	70
FFL4537.700	700	165	530	626	95

FFL4527 U Type Butterfly Valve



General Specification

- Pressure Rating: PN16
- Working Medium: Water, Oil, Gas
- Working Temperature: -20°C to 110°C (EPDM Seat)
-10°C to 80°C (Rubber Seat)
- Complies with: BS EN593

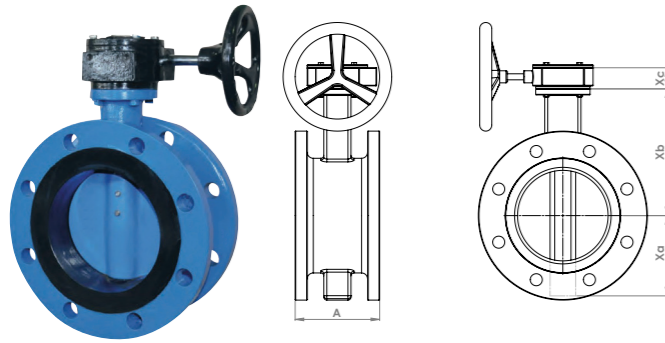
Material Specification

Part	Material	Specification
Body	Ductile Iron	EN-JS 1050
Disc	Bronze	EN 1982 CC491K
	Stainless steel 304	BS970 304
Shaft	Stainless steel 316	BS970 316
	Stainless steel 410	BS970 410
	Stainless steel 431	BS970 431
Seat Ring	EPDM / Nitrile butadiene rubber (NBR)	
O-Ring	EPDM / Nitrile butadiene rubber (NBR)	
Bushing	Bronze	EN 1982 CC491K

Product Codes & Dimensions

Code	Size	A	Xa	Xb	Xc
FFL4527.150	150	55	133	226	30
FFL4527.200	200	60	175	260	34
FFL4527.225	225	67	190	275	34
FFL4527.250	250	67	201	292	34
FFL4527.300	300	76	242	337	34
FFL4527.350	350	76	267	368	40
FFL4527.375	375	102	320	375	52
FFL4527.400	400	102	316	400	52
FFL4527.450	450	114	344	422	52
FFL4527.500	500	127	380	480	64
FFL4527.550	550	151	432	533	70
FFL4527.600	600	151	468	562	70
FFL4527.650	650	172	484	540	70
FFL4527.700	700	165	530	626	95
FFL4527.750	750	167	564	660	95
FFL4527.800	800	188	602	666	95
FFL4527.900	900	203	661	722	130
FFL4527.1000	1000	216	724	806	130
FFL4527.1050	1050	251	784	865	150
FFL4527.1100	1100	253	804	820	150
FFL4527.1200	1200	276	869	938	150

FFL4547 Double flange Butterfly Valve



General Specification

- Pressure Rating: PN10
- Working Medium: Water, Oil, Gas
- Working Temperature: -20°C to 110°C (EPDM Seat)
-10°C to 80°C (Rubber Seat)
- Complies with: AWWA C504

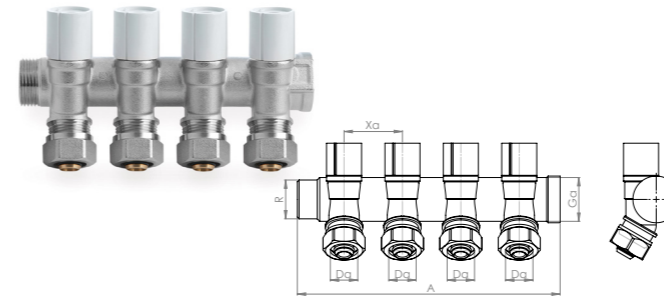
Material Specification

Part	Material	Specification
Body	Ductile iron	A536 Gr. 65-45-12
Disc	Ductile iron	A536 Gr. 65-45-12
	Bronze CC491K	B148 C95400
Shaft	Stainless steel 304	A351 CF-8
	Stainless steel 316	A351 CF-8M
	Stainless steel 410	A276 S 410
	Stainless steel 431	A276 S 431
Seat	EPDM / Nitrile butadiene rubber (NBR)	
O-Ring	EPDM / Nitrile butadiene R=rubber (NBR)	
Bushing	Bronze	B62 C83600

Product Codes & Dimensions

Code	Size	A	Xa	Xb	Xc
FFL4547.50	50	108	70	130	32
FFL4547.65	65	112	75	140	32
FFL4547.80	80	114	85	150	32
FFL4547.100	100	127	104	160	32
FFL4547.125	125	140	112	180	32
FFL4547.150	150	140	130	200	32
FFL4547.200	200	152	160	230	38
FFL4547.250	250	165	194	260	38
FFL4547.300	300	178	220	300	38
FFL4547.350	350	190	270	360	45
FFL4547.400	400	216	305	390	51
FL4547.450	450	222	332	420	51
FL4547.500	500	229	362	470	64
FL4547.600	600	267	415	540	70
FL4547.700	700	292	515	565	72
FL4547.750	750	318	545	612	72
FL4547.900	900	330	605	680	77
FL4547.1000	1000	410	685	760	85
FL4547.1050	1050	410	730	820	85
FL4547.1100	1100	450	730	820	85
FL4547.1200	1200	470	790	820	150

FTH4271NP Manifold with Valves and D.16 Adaptors



General Specification

- Finish: Nickel-plated
- Pressure Rating: PN10
- Working Temperature: 0°C to 95°C
- Threads to: ISO 228
- Side connections: M22x15 - D.16 Adaptors for PEX Pipe

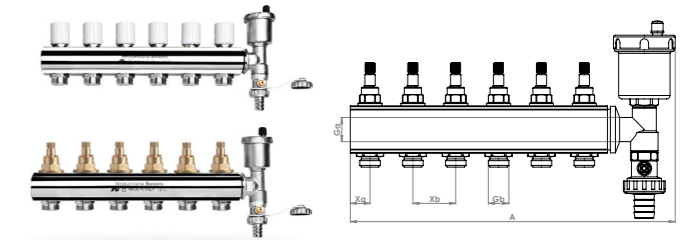
Material Specification

Part	Material
Body	Brass CW617N UNI-EN 1265 nickel-plated
Seal	EPDM perox
O-Ring	EPDM perox
Upper Part	Brass CW617N UNI-EN 1264
Snap Ring	Bronze CC491K UNI-EN 1982:200
Stern	Brass CW617N UNI-EN 1264
O-Ring	EPDM perox
Hose-end Pipe	Brass CW617N UNI-EN 1264
Seal	PTFE
O-Ring	EPDM perox
Olive	Brass CW617N UNI-EN 1264
Nut	Brass CW617N UNI-EN 1265 nickel-plated
Screw	AISI 304 Stainless steel
Handle	Plastic

Product Codes & Dimensions

Code	A	Xa	Da	R	Ga	Ways
FTH4271NP.234	83	35	16	3/4"	3/4"	2
FTH4271NP.334	118	35	16	3/4"	3/4"	3
FTH4271NP.444	153	35	16	3/4"	3/4"	4

FTH4281NP Manifold from Bar with Regulating Upper Parts



General Specification

- Finish: Nickel-plated
- Pressure Rating: PN10
- Working Temperature: 0°C to 95°C
- Threads to: ISO 228
- Side Connections: 3/4" to ISO 228

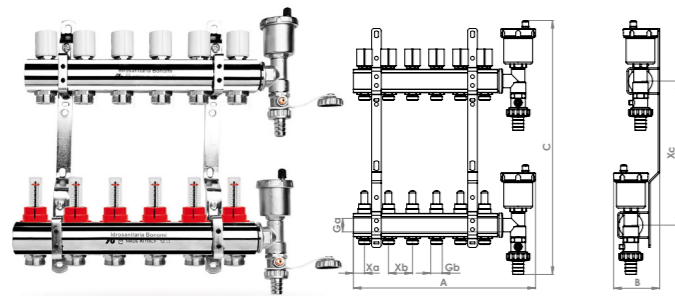
Material Specification

Part	Material
Manifold	Brass CW617N UNI-EN 1268 nickel-plated
Upper Part	Brass CW617N UNI-EN 1264 nickel-plated
Connector	Brass CW617N UNI-EN 1268 nickel-plated
Handle	Plastic (ABS)
Bracket	Galvanised iron

Product Codes & Dimensions

Code	A	Xa	Xb	Ga	Gb	PN	Ways
FTH4281NP.3	200	26	50	1"	3/4"	10	3
FTH4281NP.4	250	26	50	1"	3/4"	10	4
FTH4281NP.5	300	26	50	1"	3/4"	10	5
FTH4281NP.6	350	26	50	1"	3/4"	10	6
FTH4281NP.7	400	26	50	1"	3/4"	10	7
FTH4281NP.8	450	26	50	1"	3/4"	10	8
FTH4281NP.9	500	26	50	1"	3/4"	10	9
FTH4281NP.10	550	26	50	1"	3/4"	10	10
FTH4281NP.11	600	26	50	1"	3/4"	10	11
FTH4281NP.12	650	26	50	1"	3/4"	10	12
FTH4281NP.13	700	26	50	1"	3/4"	10	13

FTH4251NP Pre-Assembled Manifold



General Specification

- Finish: Nickel-plated
- Pressure Rating: PN10
- Working Temperature: 0°C to 95°C
- Threads to: ISO 228
- Side Connections: 3/4" to ISO 228

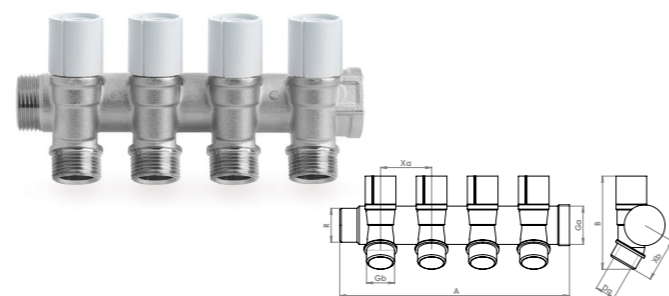
Material Specification

Part	Material
Manifold	Brass CW617N UNI-EN 1268 nickel-plated
Upper Part	Brass CW617N UNI-EN 1264 nickel-plated
Connector	Brass CW617N UNI-EN 1268 nickel-plated
Handle	Plastic (ABS)
Bracket	Galvanised iron

Product Codes & Dimensions

Code	A	B	C	Xa	Xb	Xc	Ga	Gb	PN	Ways
FTH4251NP.3	200	70	370	26	50	200	1"	3/4"	10	3
FTH4251NP.4	250	70	370	26	50	200	1"	3/4"	10	4
FTH4251NP.5	300	70	370	26	50	200	1"	3/4"	10	5
FTH4251NP.6	350	70	370	26	50	200	1"	3/4"	10	6
FTH4251NP.7	400	70	370	26	50	200	1"	3/4"	10	7
FTH4251NP.8	450	70	370	26	50	200	1"	3/4"	10	8
FTH4251NP.9	500	70	370	26	50	200	1"	3/4"	10	9
FTH4251NP.10	550	70	370	26	50	200	1"	3/4"	10	10
FTH4251NP.11	600	70	370	26	50	200	1"	3/4"	10	11
FTH4251NP.12	650	70	370	26	50	200	1"	3/4"	10	12
FTH4251NP.13	700	70	370	6	50	200	1"	3/4"	10	13

FTH4261NP Manifold with Valve



General Specification

- Finish: Nickel-plated
- Pressure Rating: PN10
- Working Temperature: 0°C to 95°C
- Threads to: ISO 228
- Side Connections: 1/2" to ISO 228

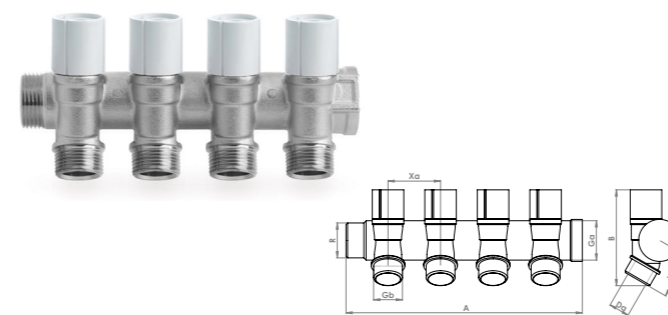
Material Specification

Part	Material
Body	Brass CW617N UNI-EN 1265 nickel-plated
Gasket	EPDM perox
Upper Part O-Ring	EPDM perox
Snap Ring	Bronze CC491K
Stem	Brass CW617N UNI-EN 1264
Stem O-Ring	EPDM perox
Valve	Brass CW617N UNI EN 12164
Screw	AISI 304 Stainless steel
Handle	Plastic (ABS)

Product Codes & Dimensions

Code	A	B	Xa	Xb	R	Ga	Gb	PN	Ways
FTH4261NP.23412	83	73	35	35.5	3/4"	3/4"	1/2"	10	2
FTH4261NP.2112	90	77	35	36.5	1"	1"	1/2"	10	2
FTH4261NP.33412	118	73	35	35.5	3/4"	3/4"	1/2"	10	3
FTH4261NP.3112	125	77	35	36.5	1"	1"	1/2"	10	3
FTH4261NP.43412	153	73	35	35.5	3/4"	3/4"	1/2"	10	4
FTH4261NP.4112	158	77	35	36.5	1"	1"	1/2"	10	4
FTH4261NP.53412	188	73	35	35.5	3/4"	3/4"	1/2"	10	5
FTH4261NP.5112	195	77	35	36.5	1"	1"	1/2"	10	5

FTH4261NP Manifold with Valve



General Specification

- Finish: Nickel-plated
- Pressure Rating: PN10
- Working Temperature: 0°C to 95°C
- Threads to: ISO 228
- Side Connections: METRIC M22 x 1.5

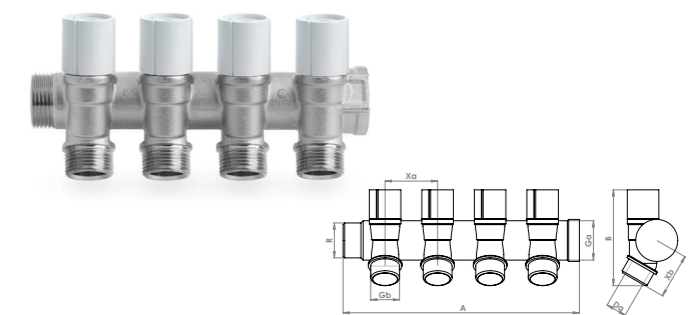
Material Specification

Part	Material
Body	Brass CW617N UNI-EN 1265 nickel-plated
Gasket	EPDM perox
Upper Part O-Ring	EPDM perox
Upper Part	Brass CW617N UNI-EN 1264
Snap Ring	Bronze CC491K
Stem	Brass CW617N UNI-EN 1264
Stem O-Ring	EPDM perox
Valve	Brass CW617N UNI EN 12164
Screw	AISI 304 Stainless steel
Handle	Plastic (ABS)

Product Codes & Dimensions

Code	A	B	Xa	Xb	R	Ga	Gb	PN	Ways
FTH4261NP.2342215	83	73	35	35.5	3/4"	3/4"	M22 x1.5	10	2
FTH4261NP.212215	90	77	35	36.5	1"	1"	M22 x1.5	10	2
FTH4261NP.3342215	118	73	35	35.5	3/4"	3/4"	M22 x1.5	10	3
FTH4261NP.312215	125	77	35	36.5	1"	1"	M22 x1.5	10	3
FTH4261NP.4342215	153	73	35	35.5	3/4"	3/4"	M22 x1.5	10	4
FTH4261NP.412215	158	77	35	36.5	1"	1"	M22 x1.5	10	4
FTH4261NP.5342215	188	73	35	35.5	3/4"	3/4"	M22 x1.5	10	5
FTH4261NP.512215	195	77	35	36.5	1"	1"	M22 x1.5	10	5

FTH4261NP Manifold with Valve



General Specification

- Finish: Nickel-plated
- Pressure Rating: PN10
- Working Temperature: 0°C to 95°C
- Threads to: ISO 228
- Side Connections: 24x19

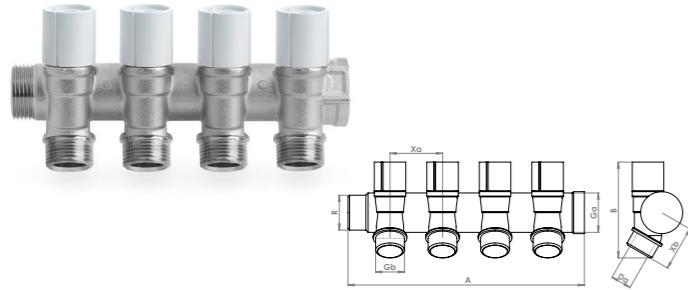
Material Specification

Part	Material
Body	Brass CW617N UNI-EN 1265 nickel-plated
Gasket	EPDM perox
Upper Part O-Ring	EPDM perox
Upper Part	Brass CW617N UNI-EN 1264
Snap Ring	Bronze CC491K
Stem	Brass CW617N UNI-EN 1264
Stem O-Ring	EPDM perox
Valve	Brass CW617N UNI EN 12164
Screw	AISI 304 Stainless steel
Handle	Plastic (ABS)

Product Codes & Dimensions

Code	A	B	Da	Xa	Xb	R	Gb	PN	Ways
FTH4261NP.212419	97	77	18.1	35	37	1"	24 x19	10	2
FTH4261NP.312419	132	77	18.1	35	37	1"	24 x19	10	3
FTH4261NP.412419	167	77	18.1	35	37	1"	24 x19	10	4
FTH4261NP.512419	202	77	18.1	35	37	1"	24 x19	10	5

FTH4261NP Manifold with Valve



General Specification

- Finish: Nickel-plated
- Pressure Rating: PN10
- Working Temperature: 0°C to 95°C
- Threads to: ISO 228
- Side Connections: 16 x 2 Outlets for PEX

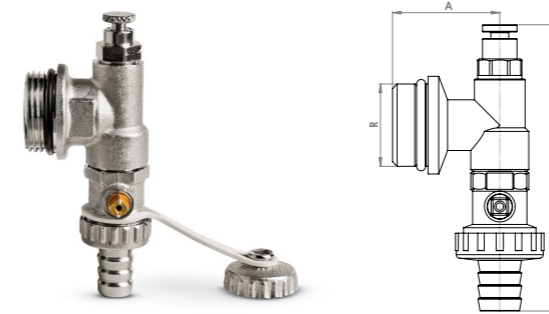
Material Specification

Part	Material
Body	Brass CW617N UNI-EN 1264 nickel-plated
Gasket	EPDM perox
Upper Part O-Ring	EPDM perox
Upper Part	Brass CW617N UNI-EN 1264
Snap Ring	Bronze CC491K
Stem	Brass CW617N UNI-EN 1264
O-Ring	EPDM perox
Valve	Brass CW617N UNI EN 12164
O-Ring	EPDM perox
Hose-end Pipe	Brass CW617N UNI EN 12164
Seal	PTFE
O-Ring	EPDM perox
Olive	Brass CW617N UNI EN 12164
Nut	Brass CW617N UNI EN 12164 nickel-plated
Screw	AISI 304 Stainless steel
Handle	Plastic

Product Codes & Dimensions

Code	A	Xa	R	Ga	Gb	PN	Ways
FTH4261NP.234162	83	35	3/4"	3/4"	16x2	10	2
FTH4261NP.21162	90	35	1"	1"	16x2	10	2
FTH4261NP.334162	118	35	3/4"	3/4"	16x2	10	3
FTH4261NP.31162	125	35	1"	1"	16x2	10	3
FTH4261NP.434162	153	35	3/4"	3/4"	16x2	10	4
FTH4261NP.41162	158	35	1"	1"	16x2	10	4
FTH4261NP.534162	188	35	3/4"	3/4"	16x2	10	5
FTH4261NP.51162	195	35	1"	1"	16x2	10	5

FTH4921 Manifold Terminal with Relief Valve



General Specification

- Finishes available: Nickel-plated & Sandblasted brass
- Pressure Rating: PN10
- Working Temperature: 0°C to 95°C
- Threads to: ISO 228

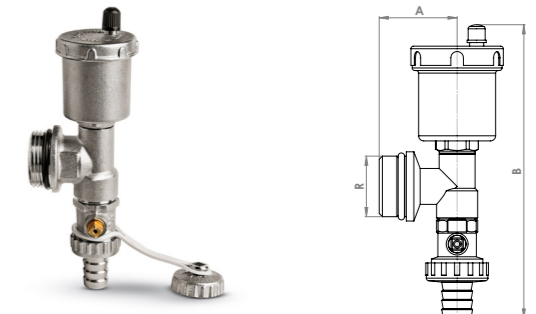
Material Specification

Part	Component
1	1/2" Boiler ball drain valve with lever
2	F/M/F Tee with O-Ring
3	Drain cock with O-Ring

Product Codes & Dimensions

Code	Finish:	A	B	R	PN
FTH4921.34	Sandblasted	37	120	3/4"	10
FTH4921.1	Sandblasted	37	120	1"	10
FTH4921NP.34	Nickel-plated	37	120	3/4"	10
FTH4921NP.1	Nickel-plated	37	120	1"	10

FTH4301 Manifold Terminal with Automatic Relief Valve



General Specification

- Finishes available: Nickel-plated & Sandblasted brass
- Pressure Rating: PN10
- Working Temperature: 0°C to 95°C
- Threads to: ISO 228

Material Specification

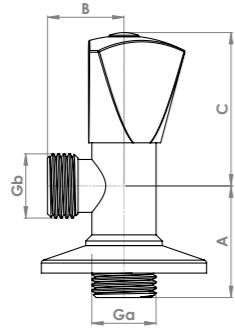
Part	Component
1	1/2" Boiler ball drain valve with lever
2	F/M/F Tee with O-Ring
3	3/8" Automatic relief valve

Product Codes & Dimensions

Code	Finish:	A	B	R	PN
FTH4301.34	Sandblasted	37	165	3/4"	10
FTH4301.1	Sandblasted	37	165	1"	10
FTH4301NP.34	Nickel-plated	37	165	3/4"	10
FTH4301NP.1	Nickel-plated	37	165	1"	10

Manifold & Angle Valves

AV100.1 Angle Valves



General Specification

1/2" x 1/2"
Angle Valve with Tricon Handle with Hot/Cold Indicator



- Pressure Rating: PN10
- Working Temperature: -20°C to 100°C
- Approval: WRAS Approved
- 5 Year Warranty

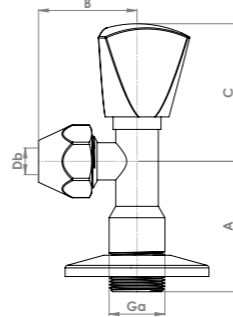
Material Specification

Part	Component
Body	Brass CW617N Chrome-plated
Bushing	Brass CW614N
Press Cap	Brass CW617N
Handle	Brass CW617N Chrome-plated
Rosette	Steel Chrome-plated
Spindle Screw	Brass CW614N
Red/Blue Cap	ABS Plastic
Clip	Steel

Product Codes & Dimensions

Code	Size (Ga, Gb)	A	B	C
AV100.1	1/2" x 1/2"	38	25	46

AV102.1 Angle Valves



General Specification

1/2" x 1/2" (10mm)
Angle Valve with 10mm Compression Nut



- Pressure Rating: PN10
- Working Temperature: -20°C to 100°C
- Approval: WRAS Approved
- 5 Year Warranty

Material Specification

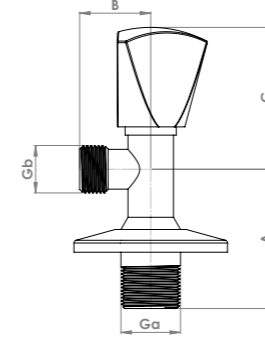
Part	Component
Body	Brass CW617N Chrome-plated
Bushing	Brass CW614N
Press Cap	Brass CW617N
Handle	Brass CW617N Chrome-plated
Rosette	Steel Chrome-plated
Spindle Screw	Brass CW614N
Red/Blue Cap	ABS Plastic
Clip	Steel

Product Codes & Dimensions

Code	Size (Ga, Db)	A	B	C
AV102.1	1/2" x 10mm	45	34	54

Manifold & Angle Valves

AV103.1 Angle Valves



General Specification

1/2" x 3/8"
Angle Valve with 3/8" Outlet



- Pressure Rating: PN10
- Working Temperature: -20°C to 100°C
- Approval: WRAS Approved
- 5 Year Warranty

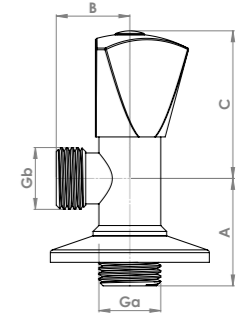
Material Specification

Part	Component
Body	Brass CW617N Chrome-plated
Spindle	Brass CW614N Chrome-plated
Handle	Brass CW617N Chrome-plated
Indice	Brass CW617N Chrome-plated
Thrust Washer	AISI 304 Stainless steel
O-Ring	Nitrile butadiene rubber (NBR)
Head O-Ring	ABS Plastic
Rosette	Steel Chrome-plated

Product Codes & Dimensions

Code	Size (Ga, Gb)	A	B	C
AV103.1	1/2" x 3/8"	48	25	53

AV103.1HC Angle Valves



General Specification

1/2" x 3/8"
Angle Valve with Hot / Cold Indice



- Pressure Rating: PN10
- Working Temperature: -20°C to 100°C
- Approval: WRAS Approved
- 5 Year Warranty

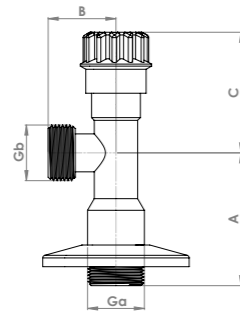
Material Specification

Part	Component
Body	Brass CW617N Chrome-plated
Spindle	Brass CW614N Chrome-plated
Handle	Brass CW617N Chrome-plated
Thrust Washer	AISI 304 Stainless steel
O-Ring	Nitrile butadiene rubber (NBR)
Head O-Ring	ABS Plastic
Rosette	Steel Chrome-plated
Screw	AISI 304 Stainless Steel
Cap	Brass CW617N Chrome-plated

Product Codes & Dimensions

Code	Size (Ga, Gb)	A	B	C
AV103.1HC	1/2" x 3/8"	47	25	43

AV104.1 Angle Valves



General Specification

1/2" x 1/2"
Angle Valve with Multi Rib Handle



- Pressure Rating: PN10
- Working Temperature: -20°C to 100°C
- Approval: WRAS Approved
- 5 Year Warranty

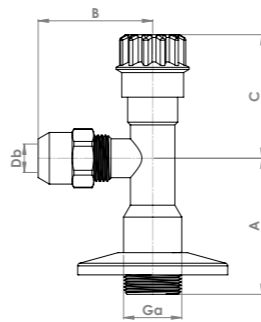
Material Specification

Part	Component
Body	Brass CW617N Chrome-plated
Valve	Brass CW617N Chrome-plated
Rosette	Steel Chrome-plated
Spindle	Brass CW614N Chrome-plated
11x4x4 O-Ring	Nitrile butadiene rubber (NBR)
12x2 O-Ring	Nitrile butadiene rubber (NBR)
Thrust Washer	AISI 304 Stainless steel
Handle	Chrome-plated plastic

Product Codes & Dimensions

Code	Size (Ga, Gb)	A	B	C
AV104.1	1/2" x 1/2"	48	25	37

AV105.1 Angle Valves



General Specification

1/2" x 3/8"
Angle Valve with 10mm Nut

- Pressure Rating: PN10
- Working Temperature: -20°C to 100°C
- 5 Year Warranty

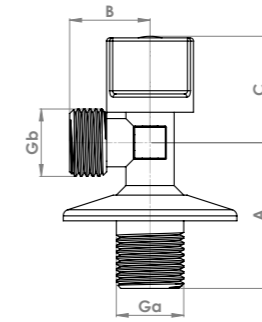
Material Specification

Part	Component
Body	Brass CW617N Chrome-plated
Valve	Brass CW617N Chrome-plated
Rosette	Steel Chrome-plated
O-Ring	PTFE
Thrust Washer	AISI 304 Stainless steel
Handle	Chrome-plated plastic
Compression Nut	Brass CW617N Chrome-plated
Gasket	Nitrile butadiene rubber (NBR)
Split Olive	Brass CW614N

Product Codes & Dimensions

Code	Size (Ga, Db)	A	B	C
AV105.1	1/2" x 3/8"	48	40	38

AV106.1 Angle Valves



General Specification

1/2"
Angle Valve with 1/4 Turn Handle CP with Hot/Cold Indice



- Pressure Rating: PN10
- Working Temperature: -20°C to 100°C
- Approval: WRAS Approved
- 5 Year Warranty

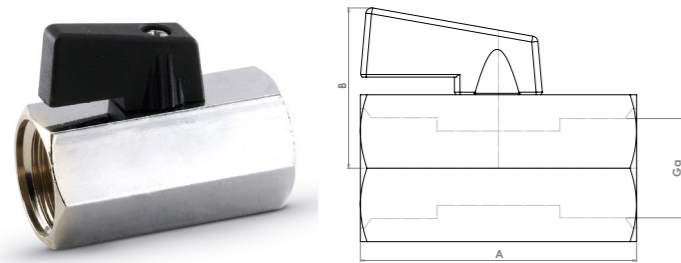
Material Specification

Part	Component
Body	Brass CW617N Chrome-plated
Valve	Brass CW617N Chrome-plated
Head O-Ring	Nitrile butadiene rubber (NBR)
Setscrew	Brass CW614N
Handle	Chrome-plated plastic
M4 Screw	AISI 304 Stainless steel
Cap	Plastic
Rosette	Steel Chrome-plated
O-Ring	Nitrile butadiene rubber (NBR)

Product Codes & Dimensions

Code	Size (Ga, Gb)	A	B	C
AV100.6	1/2" x 1/2"	45	24	34

FTH4371CP Water Ball Valve Black Handle FxF



General Specification

- Pressure Rating: PN10
- Working Temperature: -10°C to 90°C
- Threads to: ISO 228

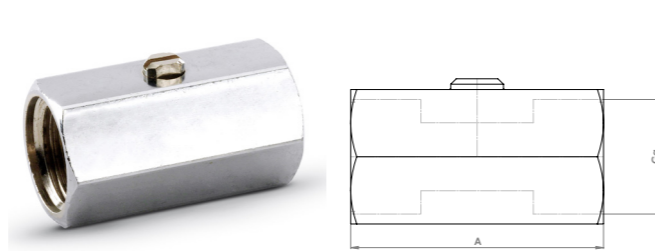
Material Specification

Part	Component
Body	Brass CW617N UNI-EN 12164 Chrome-plated
Seal	PTFE
Ball	Brass CW617N UNI-EN 12164 Nickel-plated
Ring	Brass CW617N UNI-EN 12164
Stem	Brass CW617N UNI-EN 12164 Nickel-plated
O-Ring	Nitrile butadiene rubber (NBR)
Screw	CIR UNI 947-72
Black Plastic Lever	Glass-filled NYLON 66

Product Codes & Dimensions

Code	DN	A	B	Min. bore.	Ga	PN
FTH4371CP.14	8	39	27	8	1/4"	10
FTH4371CP.38	10	42	27	8	3/8"	10
FTH4371CP.12	15	47	29	10	1/2"	10
FTH4371CP.34	20	54	32	12	3/4"	10

FTH4351CP Water Ball Valve FxF



General Specification

- Pressure Rating: PN10
- Working Temperature: -10°C to 90°C
- Threads to: ISO 228

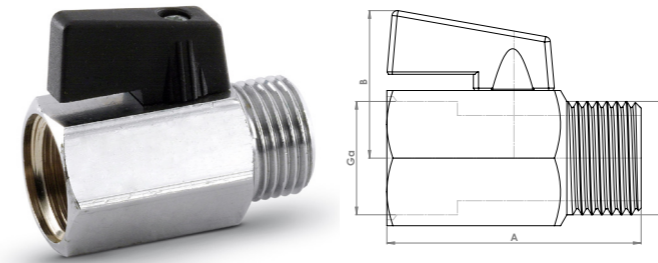
Material Specification

Part	Component
Body	DZR Brass CW511L UNI-EN 12164 Chrome-plated
Seal	PTFE
Ball	DZR Brass CW511L UNI-EN 12164 Nickel-plated
Ring	DZR Brass CW511N UNI-EN 12164
Stem	DZR Brass CW511L UNI-EN 12164 Nickel-plated
O-Ring	EPDM perox

Product Codes & Dimensions

Code	DN	A	Min. bore.	Ga	PN
FTH4351CP.14	8	39	8	1/4"	10
FTH4351CP.38	10	42	8	3/8"	10
FTH4351CP.12	15	47	10	1/2"	10
FTH4351CP.34	20	54	12	3/4"	10

FTH4391CP Water Ball Valve Black Handle MxF



General Specification

- Pressure Rating: PN10
- Working Temperature: -10°C to 90°C
- Threads to: ISO 228

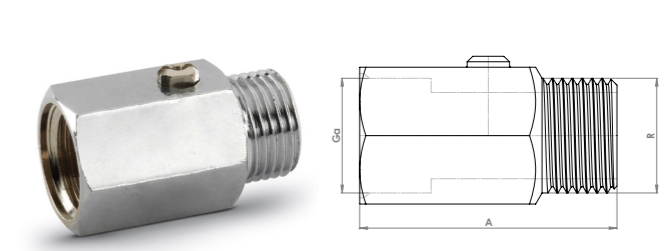
Material Specification

Part	Component
Body	Brass CW617N UNI-EN 12164 Chrome-plated
Seal	PTFE
Ball	Brass CW617N UNI-EN 12164 Nickel-plated
Ring	Brass CW617N UNI-EN 12164
Stem	Brass CW617N UNI-EN 12164 Nickel-plated
O-Ring	Nitrile butadiene rubber (MBR)
Screw	CIR UNI 947-72
Black Plastic Lever	Glass-filled NYLON 66

Product Codes & Dimensions

Code	DN	A	B	Min. bore.	R	Ga	PN
FTH4391CP.14	8	39	27	8	1/4"	1/4"	10
FTH4391CP.38	10	40	27	9	3/8"	3/8"	10
FTH4391CP.12	15	45	29	10	1/2"	1/2"	10
FTH4391CP.34	20	51	32	12	3/4"	3/4"	10

FTH4361CP Water Ball Valve MxF



General Specification

- Pressure Rating: PN10
- Working Temperature: -10°C to 90°C
- Threads to: ISO 228

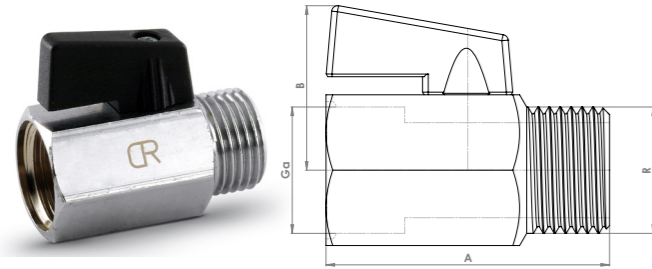
Material Specification

Part	Component
Body	DZR Brass CW511LN UNI-EN 12164 Chrome-plated
Seal	PTFE
Ball	DZR Brass CW511L UNI-EN 12164 Nickel-plated
Ring	DZR Brass CW511L UNI-EN 12164
Stem	DZR Brass CW511L UNI-EN 12164 Nickel-plated
O-Ring	EPDM perox

Product Codes & Dimensions

Code	DN	A	Min. bore.	R	Ga	PN
FTH4361CP.14	8	39	8	1/4"	1/4"	10
FTH4361CP.38	10	40	8	3/8"	3/8"	10
FTH4361CP.12	15	45	10	1/2"	1/2"	10
FTH4361CP.34	20	51	12	3/4"	3/4"	10

FTH4392CP Water Ball Valve Black Handle DZR Mx F



General Specification

- Pressure Rating: PN10
- Working Temperature: -10°C to 90°C
- Threads to: ISO 228

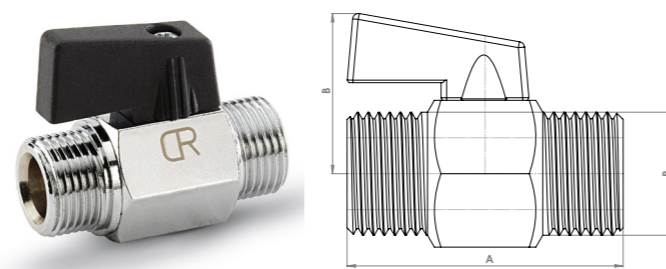
Material Specification

Part	Component
Body	DZR Brass CW511LN UNI-EN 12164 Chrome-plated
Seal	PTFE
Ball	DZR Brass CW511L UNI-EN 12164 Nickel-plated
Ring	DZR Brass CW511L UNI-EN 12164
Stem	DZR Brass CW511L UNI-EN 12164 Nickel-plated
O-Ring	EPDM perox
Screw	C4C UNI-EN 10263-03
Black Plastic Lever	Glass-filled NYLON 66

Product Codes & Dimensions

Code	DN	A	B	Min. bore.	R	Ga	PN
FTH4392CP.38	10	40	27	8	3/8"	3/8"	10
FTH4392CP.12	15	405	29	10	1/2"	1/2"	10

FTH4402CP Water Ball Valve Black Handle DZR Mx M



General Specification

- Pressure Rating: PN10
- Working Temperature: -10°C to 90°C
- Threads to: ISO 228

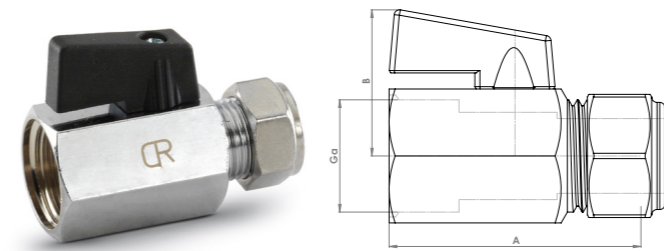
Material Specification

Part	Component
Body	DZR Brass CW511LN UNI-EN 12164 Chrome-plated
Seal	PTFE
Ball	DZR Brass CW511L UNI-EN 12164 Nickel-plated
Ring	DZR Brass CW511L UNI-EN 12164
Stem	DZR Brass CW511L UNI-EN 12164 Nickel-plated
O-Ring	EPDM perox
Screw	C4C UNI-EN 10263-03
Black Plastic Lever	Glass-filled NYLON 66

Product Codes & Dimensions

Code	DN	A	B	Xb	R	PN
FTH4402CP.12	16	44	28	10	1/2"	10

FCP4412CP Water Ball Valve Black Handle DZR Cx F



General Specification

- Pressure Rating: PN10
- Working Temperature: -10°C to 90°C
- Compression End to: BS EN1254-2
- Female Thread to: ISO 228

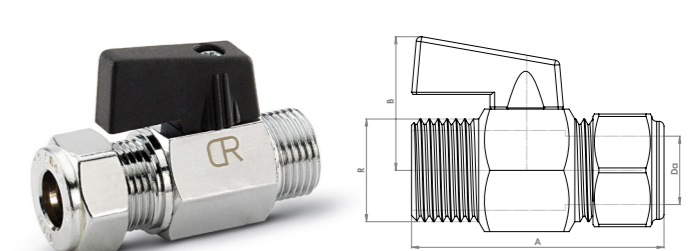
Material Specification

Part	Component
Body	DZR Brass CW511LN UNI-EN 12164 Chrome-plated
Nut	DZR Brass CW511LN UNI-EN 12164 Chrome-plated
Olive	Brass CW508L UNI-EN 12449
Seal	PTFE
Ball	DZR Brass CW511L UNI-EN 12164 Nickel-plated
Ring	DZR Brass CW511L UNI-EN 12164
Stem	DZR Brass CW511L UNI-EN 12164 Nickel-plated
O-Ring	EPDM perox
Screw	C4C UNI-EN 10263-03
Black Plastic Lever	Glass-filled NYLON 66

Product Codes & Dimensions

Code	DN	A	B	Xb	R	PN
FCP4412CP.1212	15	53	29	10	1/2"	10
FCP4412CP.1512	15	53	29	10	1/2"	10

FCP4422CP Water Ball Valve Black Handle DZR Cx M



General Specification

- Pressure Rating: PN10
- Working Temperature: -10°C to 90°C
- Compression End to: BS EN1254-2
- Male Thread to: ISO 228

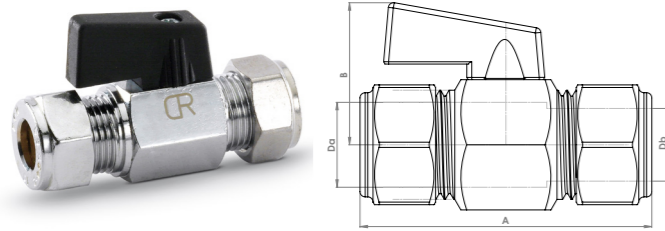
Material Specification

Part	Component
Body	DZR Brass CW511LN UNI-EN 12164 Chrome-plated
Nut	DZR Brass CW511LN UNI-EN 12164 Chrome-plated
Olive	Brass CW508L UNI-EN 12449
Seal	PTFE
Ball	DZR Brass CW511L UNI-EN 12164 Nickel-plated
Ring	DZR Brass CW511L UNI-EN 12164
Stem	DZR Brass CW511L UNI-EN 12164 Nickel-plated
O-Ring	EPDM perox
Screw	C4C UNI-EN 10263-03
Black Plastic Lever	Glass-filled NYLON 66

Product Codes & Dimensions

Code	DN	A	B	Xb	R	PN
FCP4422CP.1512	16	51	28	10	1/2"	10

FCP4372CP Water Ball Valve Black Handle DZR CxC



General Specification

- Pressure Rating: PN10
- Working Temperature: -10°C to 90°C
- Compression End to: BS EN1254-2

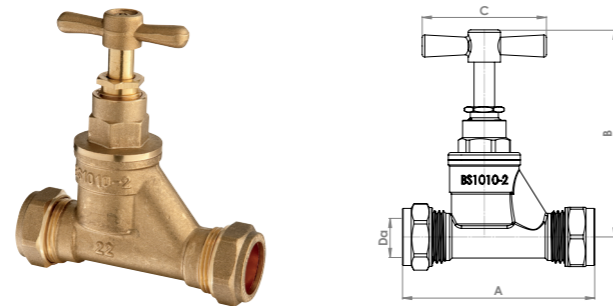
Material Specification

Part	Component
Body	DZR Brass CW511LN UNI-EN 12164 Chrome-plated
Nut	DZR Brass CW511LN UNI-EN 12164 Chrome-plated
Olive	Brass CW508L UNI-EN 12449
Seal	PTFE
Ball	DZR Brass CW511L UNI-EN 12164 Nickel-plated
Ring	DZR Brass CW511L UNI-EN 12164
Stem	DZR Brass CW511L UNI-EN 12164 Nickel-plated
O-Ring	EPDM perox
Screw	C4C UNI-EN 10263-03
Black Plastic Lever	Glass-filled NYLON 66

Product Codes & Dimensions

Code	A	B	Da	Db	PN
FCP4372CP.1010	59	28	10	10	10
FCP4372CP.1210	58	28	12	10	10
FCP4372CP.1212	58	28	12	12	10
FCP4372CP.1510	58	28	15	10	10
FCP4372CP.1512	61	28	15	12	10
FCP4372CP.1515	61	28	15	15	10

P460 Stop Cock



General Specification

- Manufactured to: BS1010-2
- Compression Ends: BS EN 1254-2

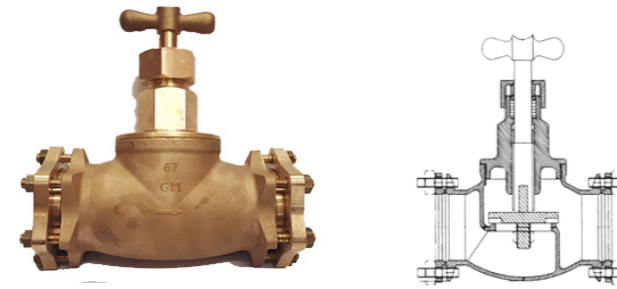
Material Specification

Part	Component
Body	Brass CW617N
Drive Column	Brass CW617N
Washer	Nitrile butadiene rubber (NBR)
Bonnet	Brass CW617N
Sealing Ring	PTFE
Locking Ring	Brass CW617N
Handle	Brass CW617N
Screw	Brass CW617N
Olive	Copper
Nut	Brass CW617N

Product Codes & Dimensions

Code	Size (Da)	A	B	C
P460.1	15mm	74	80	51
P460.2	22mm	93	87	54
P460.3	28mm	107	96	62

P460 Large Stop Cock



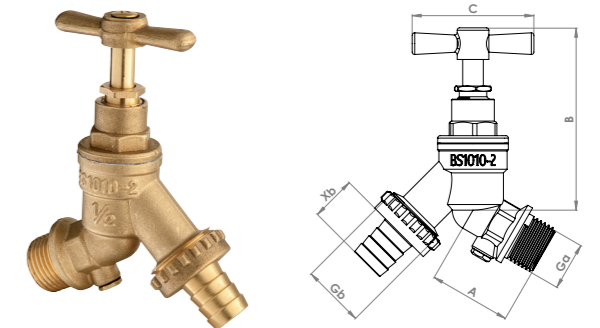
General Specification

- Temperature Pressure: 10 Bar @ 30°C
- 3 Bar @ 120°C

Product Codes & Dimensions

Code	Size (Da)	A	B
P460.7	67mm	206	194
P460.8	76mm	239	221

HUBT Hose Union Bib Tap



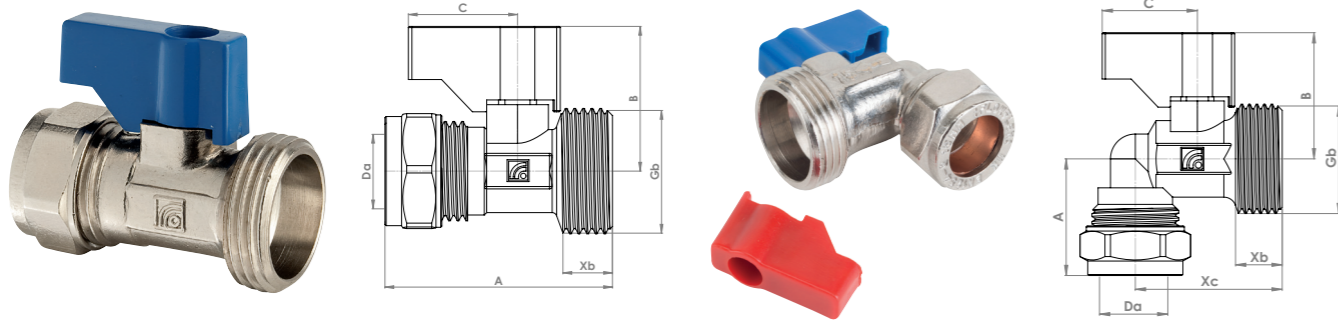
General Specification

- Pressure Rating: PN10
- Working Temperature: -20°C to 120°C
- Manufactured to: BS1010-2
- BSP Parallel Male Thread

Product Codes & Dimensions

Code	Size (Ga)	A	B	C	Xb
HUBT.01	1/2"	35	70		19
HUBT.02	3/4"	55	90		23
HUBTDC.01	1/2"	35	70		19

P462WMT & P467 Washing Machine Valves



General Specification

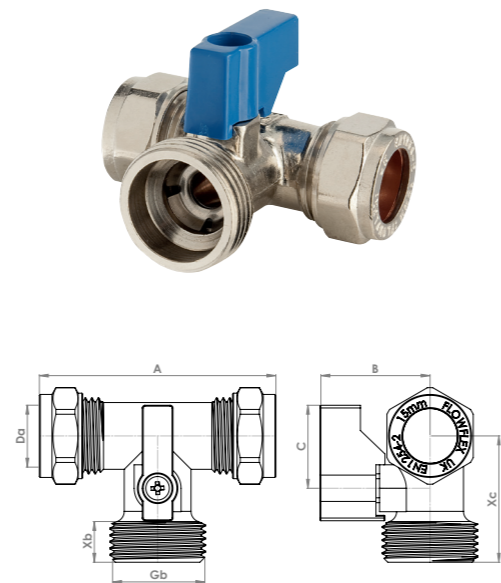
- Compression Ends: BS EN 1254-2
- Female End: 3/4" Hose Connection
- Supplied with Red & Blue Handles

Material Specification

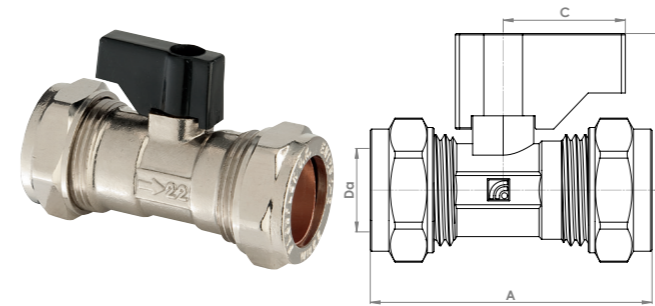
Part	Component
Body	Brass CW617N Chrome-plated
Ball	Brass CW617N Chrome-plated
Sealing Rings	Nitrile butadiene rubber (NBR)
Drive Column	Brass CW617N Chrome-plated
Column Sealing rings	Nitrile butadiene rubber (NBR)
Ball Retainer	AISI 304 Stainless steel
Olive	Copper
Nut	Brass CW617N Chrome-plated
Handle	Plastic
Screw	Steel

Product Codes & Dimensions

Code	Size (Da, Gb)	A	B	C	Xb
P462WMT.1 Straight	15mm x 3/4"	39	30	23	9
P467.1 Elbow	15mm x 3/4"	28	28	23	9
P467.2 Tee	15mm x 3/4"	56	39	23	9



P472CPBH Isolation Valve with Black Handle



General Specification

- Pressure Rating: PN10
- Working Temperatures: -20°C to 100°C
- Compression Ends: BS EN 1254-2

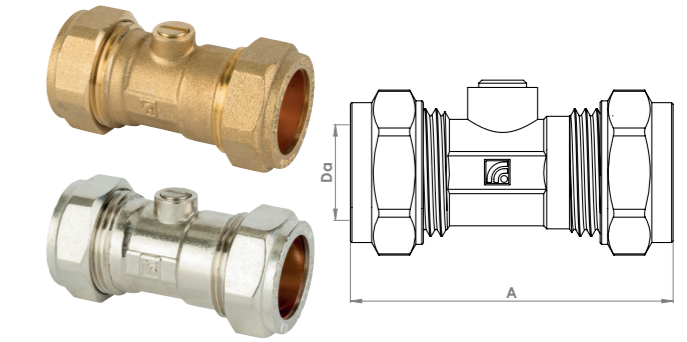
Material Specification

Part	Component
Body	Brass CW617N Chrome-plated
Ball	Brass CW617N Chrome-plated
Sealing Rings	Nitrile butadiene rubber (NBR)
Drive Column	Brass CW617N Chrome-plated
Column Sealing rings	Nitrile butadiene rubber (NBR)
Ball Retainer	AISI 304 Stainless steel
Olive	Copper
Nut	Brass CW617N Chrome-plated
Handle	Plastic
Screw	Steel

Product Codes & Dimensions

Code	Size (Da)	A	B	C
P472CPBH.1	15mm	60	30	22
P472CPBH.2	22mm	70	32	22

P472 & P472CP Isolation Valve



General Specification

- Compression Ends: BS EN 1254-2

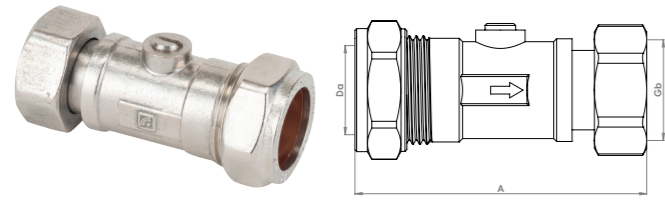
Material Specification

Part	Component
Body	Brass CW617N Chrome-plated
Ball	Brass CW617N Chrome-plated
Sealing Rings	Nitrile butadiene rubber (NBR)
Drive Column	Brass CW617N Chrome-plated
Column Sealing rings	Nitrile butadiene rubber (NBR)
Ball Retainer	AISI 304 Stainless steel
Olive	Copper
Nut	Brass CW617N Chrome-plated

Product Codes & Dimensions

Code	Size (Da)	Finish:	A
P472.1	15mm	Brass CW617N	37
P472.2	22mm	Brass CW617N	49
P472CP.1	15mm	Chrome Plate	37
P472CP.2	22mm	Chrome Plate	49

P481CP Straight Service Valve CP



General Specification

- Manufactured to: BS5154
- Compression Ends: BS EN 1254-2

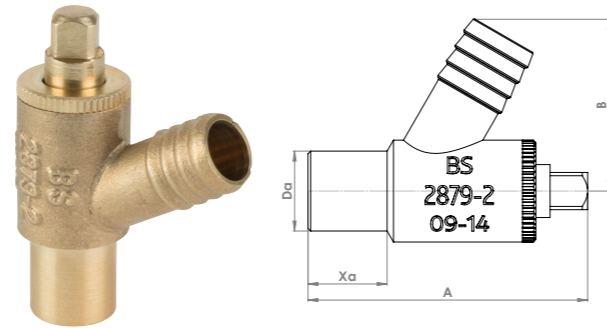
Material Specification

Part	Component
Body	Brass CW617N Chrome-plated
Swivel Body	Brass CW617N Chrome-plated
Swivel Nut	Brass CW617N Chrome-plated
Washer	Nitrile butadiene rubber (NBR)
Ball	Brass CW614N Chrome-plated
Sealing Rings	Nitrile butadiene rubber (NBR)
Drive Column	Brass CW614N Chrome-plated
Column Sealing Rings	Nitrile butadiene rubber (NBR)
Ball Retainer	AISI 304 Stainless steel
Olive	Copper
Nut	Brass CW617N Chrome-plated

Product Codes & Dimensions

Code	Size (Da, Gb)	A
P481CP.1	15mm x 1/2"	60
P481CP.2	22mm x 3/4"	74

P183 Drain Off Cock Type A



General Specification

- Manufactured to: BS2879-2

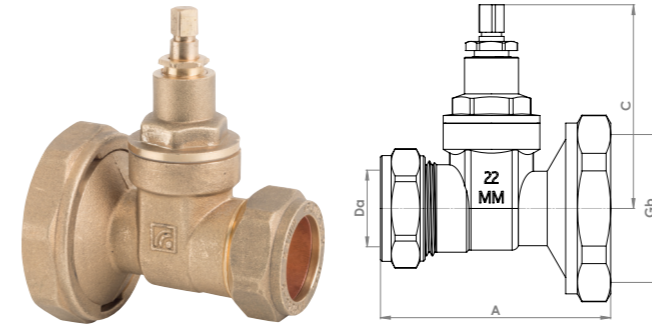
Material Specification

Part	Component
Body	Brass CW617N
Insert	Brass CW617N
Washer	Nitrile butadiene rubber (NBR)
Insert Cap	Brass CW617N

Product Codes & Dimensions

Code	Size (Da)	A	B	Xa
P183.3	15mm	51	33	15

P477 Gate Type Pump Valve



General Specification

- Compression End: BS EN 1254-2
- Female End: 1 1/2" Swivel Nut Connection

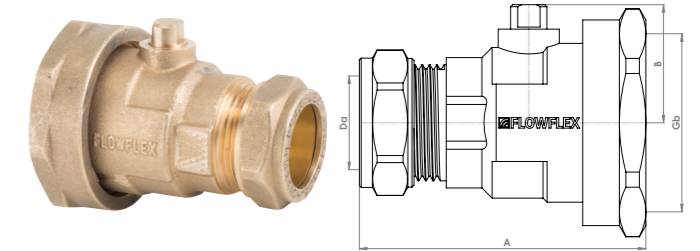
Material Specification

Part	Component
Housing	Brass CW617N
Gate	Brass CW617N
Housing Seal	PTFE
Column Lock	Brass CW617N
Column Washer	Brass CW617N
Drive Column	Brass CW614N
Swivel Nut	Brass CW614N
Swivel Washer	Nitrile butadiene rubber (NBR)
Housing Cap	Brass CW617N
Washer	PTFE
Olive	Copper
Nut	Brass CW614N

Product Codes & Dimensions

Code	Size (Da, Gb)	A	B
P477.2	22mm x 1 1/2"	64	26
P477.3	28mm x 1 1/2"	64	26

P478 Ball Type Pump Valve



General Specification

- Pressure Rating: PN16
- Compression End: BS EN 1254-2
- Female End: 1 1/2" Swivel Nut Connection

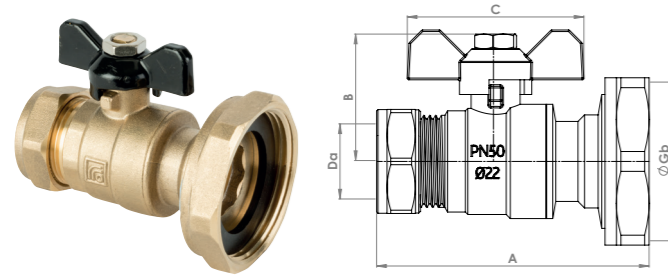
Material Specification

Part	Component
Nut	Brass CW617N
Olive	Brass CW617N
Body	Brass CW617N
Sealing Ring	PTFE
Ball	Brass CW617N Chrome-plated
Swivel Nut	Brass CW617N
Swivel Body	Brass CW617N
Washer	Nitrile butadiene rubber (NBR)
Drive Column	Brass CW614N
Washer	PTFE
O-Ring	Nitrile butadiene rubber (NBR)

Product Codes & Dimensions

Code	Size (Da, Gb)	A	B
P478.2	22mm x 1 1/2"	64	26
P478.3	28mm x 1 1/2"	64	26

MPF.PV Pump Valve Black Handle



General Specification

- Pressure Rating: PN50
- Compression End: BS EN 1254-2
- Female End: 1 1/2" Swivel Nut Connection

Material Specification

Part	Component
Nut	Brass CW617N
Olive	Brass CW617N
Body	Brass CW617N
Sealing Ring	PTFE
Ball	Brass CW614N Chrome-plated
Swivel Nut	Brass CW617N
Swivel Body	Brass CW617N
Washer	Nitrile butadiene rubber (NBR)
Drive Column	Brass CW617N
O-Ring	Nitrile butadiene rubber (NBR)
Handle	Aluminium
Handle Nut	Steel Chrome-plated

Product Codes & Dimensions

Code	Size (Da, Gb)	A	B	C
MPF.PV	22mm x 1 1/2"	83	42	51

