



## ANGLE VALVES A-80 ORIGINAL

A-80 SERIE

### SCOPE

A-80 ORIGINAL are quarter angle brass ball valves designed for being connected to water pipe system. They are used to shut off individually water supply to sinks, basins, cisterns and other places to proceed to repair or replace.

A-80 are 1/4 quarter turn valves.

### SERVICE CONDITIONS

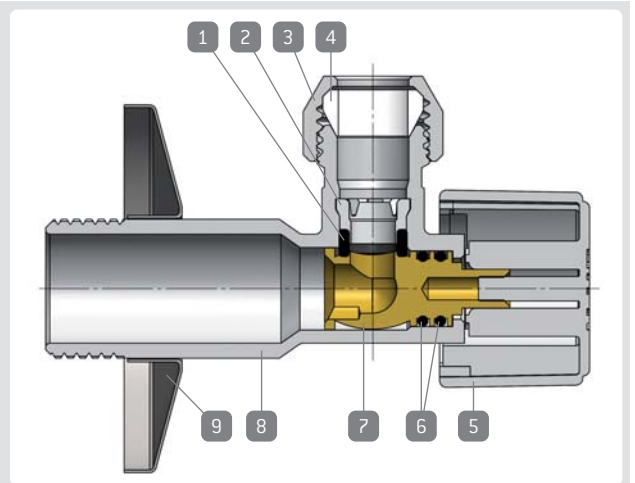
**Nominal pressure:** 16 bar.  
**Temperature range:** cold and hot water up to 95°C.

**Test pressure:** 25 bar.  
**Fluid:** water intended to human consumption and domestic hot water.

### COMPONENTS

ITEM	COMPONENT	MATERIAL	TREATMENT
1	Seat	NBR	
2	Supporting clip	POM	
3	Nut <sup>1</sup>	CW614N European Brass	Chrome plated
4	Bicone <sup>1</sup>	Polyamide	
5	Handle	ABS or Zamak	Chrome plated
6	Seals	NBR	
7	Stem & ball	CW614N European Brass	
8	Main body	CW617N European Brass	Chrome plated
9	Rosette	Stainless steel	

<sup>1</sup> according to model



### MAIN CONSTRUCTIVE FEATURES

#### STEM-BALL

Stem and ball are manufactured in one piece with CW614N European brass, which increases its resistance and performance.

This original component of ARCO has been designed to reduce loss of pressure keeping a constant flow rate and avoiding noise.



## MAIN CONSTRUCTIVE FEATURES (continued)

### INTERNAL AND EXTERNAL LEAK TIGHTNESS

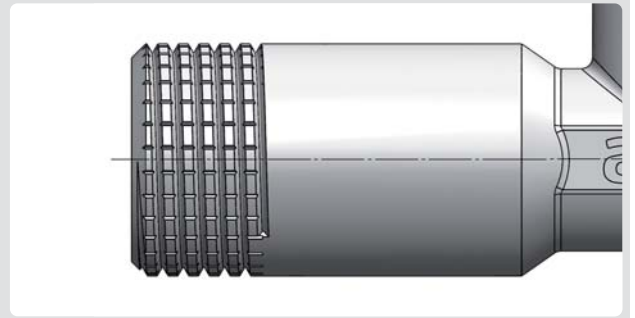
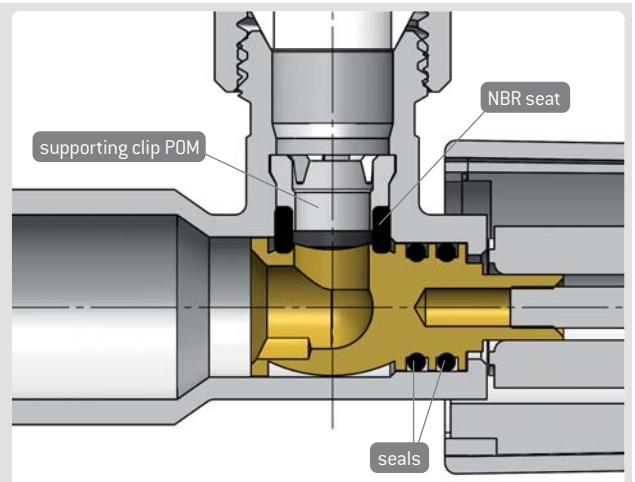
#### INTERNAL Leak tightness

The supporting clip made of POM is placed in the valve to push the NBR seat against the stem-ball.

This system can not be dismantled, avoiding improper manipulations.

#### EXTERNAL Leak tightness

A double NBR seal placed on the stem assure external leakness. This double joint system guarantees safety against external leakage, use, ageing,...



### KNURLED THREADS

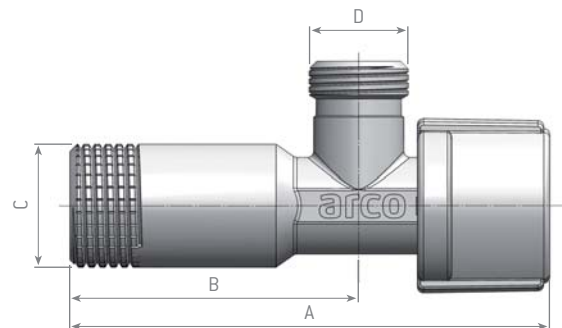
A-80 ORIGINAL angle valves have the classic knurled system of ARCO on the thread to facilitate the installation. It makes easier the application of teflon, esparto gras... to the thread, avoiding slidings of these elements while application.

## DIMENSIONS

#### A-80 ORIGINAL without nut

MEASURE	A	B	C	D
3/8 x 3/8	80	48	G 3/8A	G 3/8A
1/2 x 3/8	80	48	G 1/2A	G 3/8A
1/2 x 1/2	80	48	G 1/2A	G 3/8A

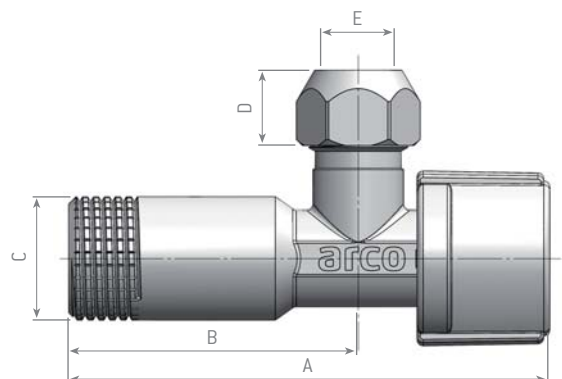
G Thread ISO 228



#### A-80 ORIGINAL with standard nut

MEASURE	A	B	C	D	E
3/8 x 3/8 x 10	80	48	G 3/8A	12,5	10
1/2 x 3/8 x 10	80	48	G 1/2A	12,5	10
1/2 x 1/2 x 10	80	48	G 1/2A	12,5	10
1/2 x 1/2 x 12	80	48	G 1/2A	12,5	12

G Thread ISO 228

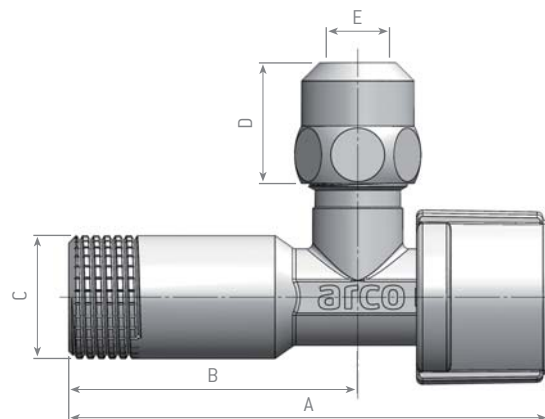


## DIMENSIONS (continued)

### A-80 ORIGINAL with long nut

MEASURE	A	B	C	D	E
3/8 x 3/8 x 10	80	48	G 3/8A	20	10
1/2 x 3/8 x 10	80	48	G 1/2A	20	10

G Thread ISO 228



## PRODUCT RANGE AND VARIATIONS\*

### HANDLES

A-80 valves usually have chromed NOVA handle. Other of the handles available for A-80 valves are LUXE and 80.



NOVA handle



80 handle



LUXE handle

### POLISHED FINISH (according to model)

Some types are extra chromed polished finish, for those installations which high quality of finished are required.



### ASAG: TEFLON COVERING SELF-TAPPING RING (according to model)

Are models with a teflon system on the inner thread. They can be directly threaded to the water inlet without the need to apply teflon tape, esparto grass... or any other sealing material.

The valves with the self-tapping teflon ring save around 30% of time in the installation.



### BICONE COMBI TYPE (according to model)

Bicone made of NBR and poliamide, with a brass ring to increase the resistance in the union with the copper pipe.

Specially to step up safety and reliability in all public instalacions that can be improperly handled.



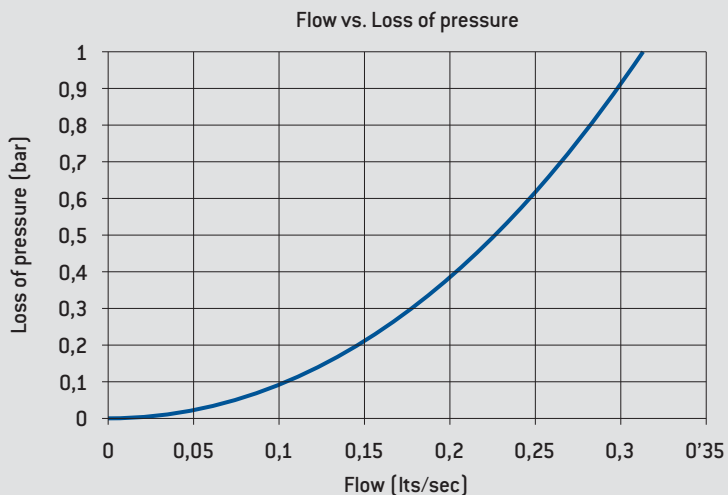
### INDEXES (according to model)

Some of our valves have blue and red indexes to clarify its connexion according to hot or cold water.



\* as present catalogue.

## HYDRAULIC CHARACTERISTICS



Hydraulic characteristics obtained according to EN 1267.

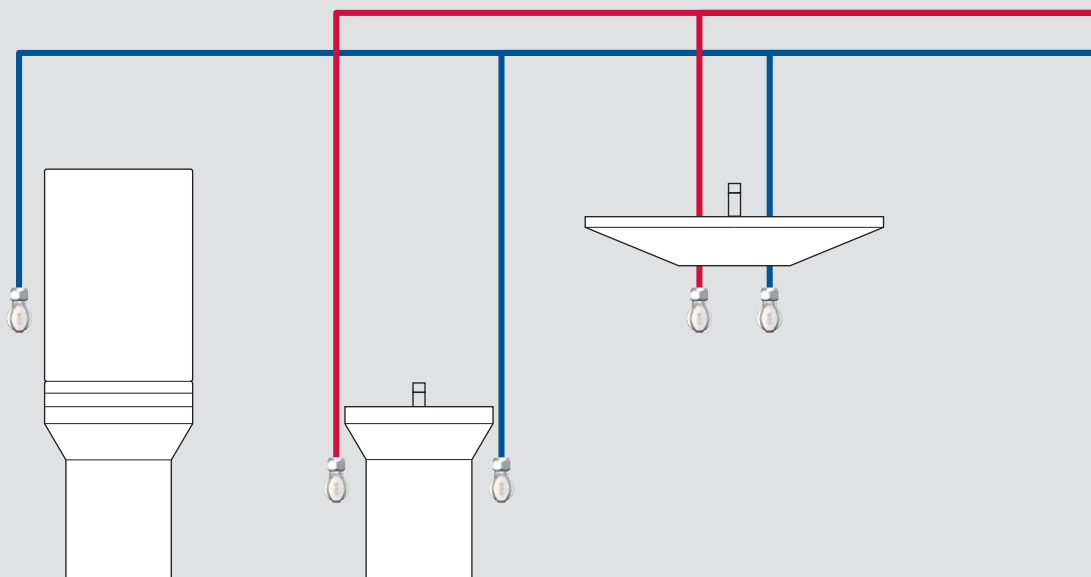
## INSTALLATION AND ASSEMBLY

The installation of valves must be done with the right tool, mostly with 15 spanner.

The tool should be adjusted to the flat sides of the body of the valve, avoiding the deformation of the zone by high pressure of the tool.

Components of the valve must not be altered. The substitution or dismantling of the handle can provoke external leaks.

All quarter turn handle valves should work totally open.



Válvulas ARCO, S.L.  
Avda. del Cid, 8  
46134 Foios (Valencia / Spain)  
[www.valvulasarco.com](http://www.valvulasarco.com)

Technical department:  
tel. (+34) 963 171 070  
[tecnica@valvulasarco.es](mailto:tecnica@valvulasarco.es)



Every product has an impact on the environment during all stages of its life-cycle, including final disposal. All components of these valves can be recycled, deposit the valve in a green or recycled point when no longer useful.

Válvulas ARCO, S.L. reserves the right to change our products and specifications at any time and without prior notice.