

WHEREVER THERE IS CERAMICS

IZ BUILDING MATERIALS AND EQUIPMENTS

PRODUCT CATALOGUE 2017



# STRONG INSTALLATION SYSTEMS

## IZYAPI in its 20th year

Having started to produce plumbing materials from plastic and metal raw materials in 1997, our company has been adapting to the innovative structure of the sector by expanding its product range and production capacity with the investments it made in 2007. The complementary materials of the leading companies producing the world's leading ceramics and sanitary ware are one of the main specialties of İz Yapı and it has become one of the leading companies of this industry all over the world. In 2009, our company got its investment level to the top and settled in Beylikdüzü Organize Sanayi Bölgesi with 5500 m<sup>2</sup> closed and 1000 m<sup>2</sup> open area and has expanded its possibilities to produce many different items.

Today, production capacity of 150 tons of plastic per month and 40 tons of metal processing capacity continues to be produced with 92% capacity. Our company manufactures various plastic and metal processing molds in its own high-tech mold processing machines with its experienced technical staff. Thus, we make original designs in line with the demands of our industry and present them to the use of valuable business partners. Our company continues to offer quality and visionary products to its customers with its exports to more than 40 countries as well as to be found in many sales points and all DIY markets in Turkey with the activities it has been showing since the day it was established.



# CONTENTS



**18-23**  
EASY-FLEX  
HOSES



**04-17**  
WC PAN  
CONNECTORS



**34-37**  
GASKETS



**38-41**  
OVER FLOW  
RINGS



**24-27**  
CLEAN WATER  
TUBING



**28-33**  
TUBING FOR  
CONCEALED  
CISTERN



**42-59**  
FIXING  
SETS FOR  
SANITARY  
WARE ITEMS



# STRONG INSTALLATION SYSTEMS



**60-75**

SELF  
CLEANING  
PIPES



**80-85**

SEAT COVERS



**76-79**

SHUT-OFFS



**86-93**

MECHANISMS  
& CONCEALED  
CISTERNS



**94-99**

CLICK &  
CLACKS



**106-111**

PLASTER  
MOLD PARTS  
& NOTCHES  
FOR MOLDS



**100-105**

SYPHONES  
FOR  
WASHBASINS







# WC PAN CONNECTORS

04-17

## OFFSET PAN CONNECTOR

One Piece 89-107mm Inlet x 100 mm / 110 mm Outlet 20 mm offset pan connector. 89-107mm Inlet suits all pan spigots.

Product Code

**PS001 020 000**

Pcs in Box      Box Sizes      Box Weight

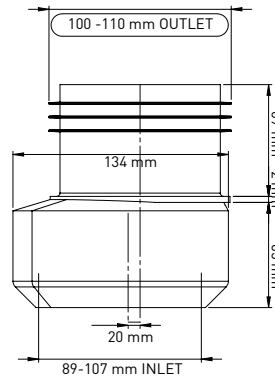
75

70x40x67cm

10,575

### Material

EVA Soft, durable, flexible plastic material.



## PP WC STRAIGHT CONNECTOR

89-107 mm Inlet x 90 mm / 100 mm / 110 mm PVC Outlet  
Straight Rigid WC Connector. 89-107 mm inlet suits all pan spigots.

Product Code

**PSP1 000**

Pcs in Box      Box Sizes      Box Weight

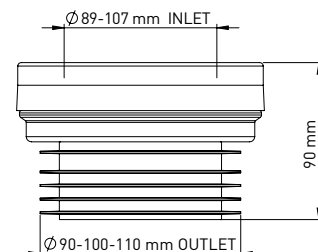
40

70x56x20cm

9,835 kg

### Material

Polypropylene + TPE





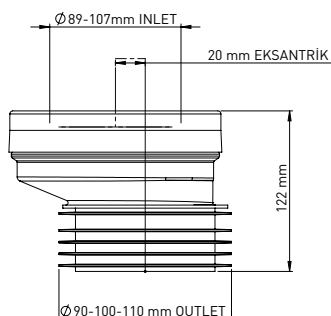
## PP WC ECCENTRIC CONNECTOR 20 MM

89-107 mm Inlet x 90 mm/ 100 mm / 110 mm PVC Outlet with 20 mm offset Rigid WC Connector. 89-107 mm inlet suits all pan spigots.

Product Code  
**PSPP1 020**

Pcs in Box	Box Sizes	Box Weight
40	70x57x23cm	10,455 kg

**Material**  
Polypropylene + TPE



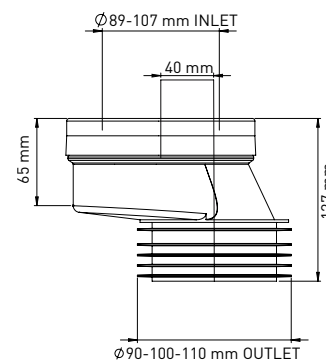
## PP WC ECCENTRIC CONNECTOR 40 MM

89-107 mm Inlet x 90 mm/ 100 mm / 110 mm PVC Outlet with 40 mm offset Rigid WC Connector. 89-107 mm inlet suits all pan spigots.

Product Code  
**PSPP1 040**

Pcs in Box	Box Sizes	Box Weight
20	70x35x27cm	5,95 kg

**Material**  
Polypropylene + TPE



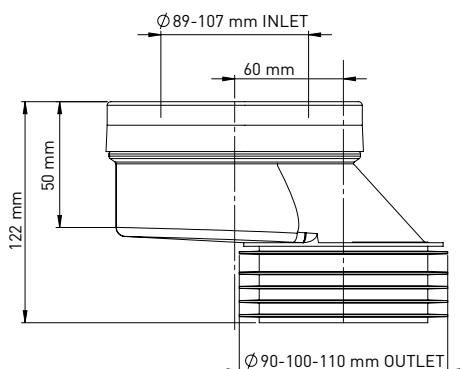
## PP WC ECCENTRIC CONNECTOR 60 MM

89-107 mm Inlet x 90 mm/ 100 mm / 110 mm PVC Outlet with 60 mm offset Rigid WC Connector, 89-107 mm inlet suits all pan spigots.

Product Code  
**PSPP1 060**

Pcs in Box	Box Sizes	Box Weight
20	70x35x27cm	6,300 kg

**Material**  
Polypropylene + TPE





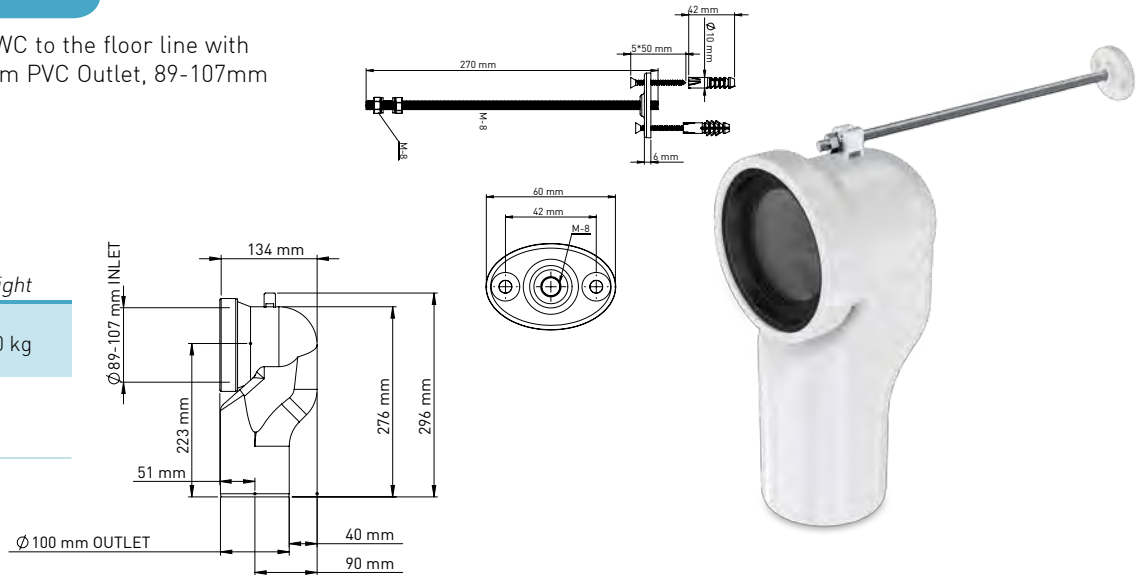
## S PAN CONNECTOR

Can be used for connecting P-Trap WC to the floor line with metal components. 100 mm / 110 mm PVC Outlet, 89-107mm inlet suits all pan spigots.

**Product Code**  
**PS002 100 000**

Pcs in Box	Box Sizes	Box Weight
36	70x40x67cm	17,130 kg

**Material**  
Polypropylene+TPE"



## S PAN CONNECTOR ADJUSTABLE BY CUTTING (T-1 110)

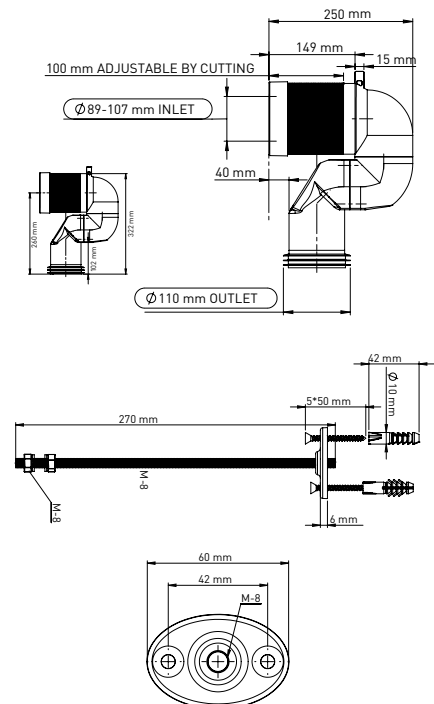
Can be especially used for back to wall WCs, pan is adjustable by cutting till 100 mm , allows WC to sidle up to toilet-wall easily. 89-107 mm inlet suits all pan spigots.



**Product Code**  
**PS003 110 000**

Pcs in Box	Box Sizes	Box Weight
18	70x40x67cm	13,480 kg

**Material**  
Polypropylene+TPE



## S PAN CONNECTOR ADJUSTABLE BY CUTTING

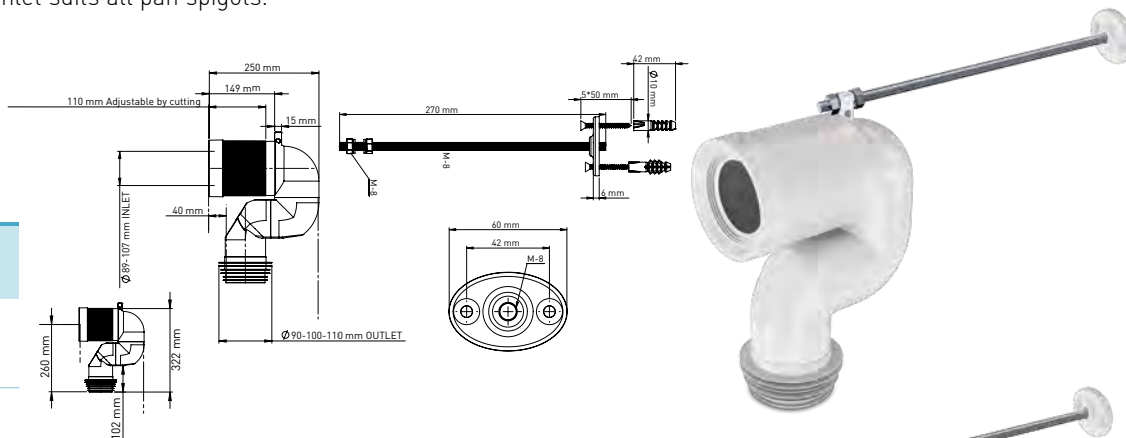
Can be especially used for back to wall WCs, height is adjustable by cutting, allows WC to side up to toilet-wall easily. 89-107 mm inlet suits all pan spigots.

(T-2 90/100/110)

Product Code  
**PS005 110 090**

Pcs in Box	Box Sizes	Box Weight
18	70x40x67cm	14,000 kg

Material  
PP+TPE

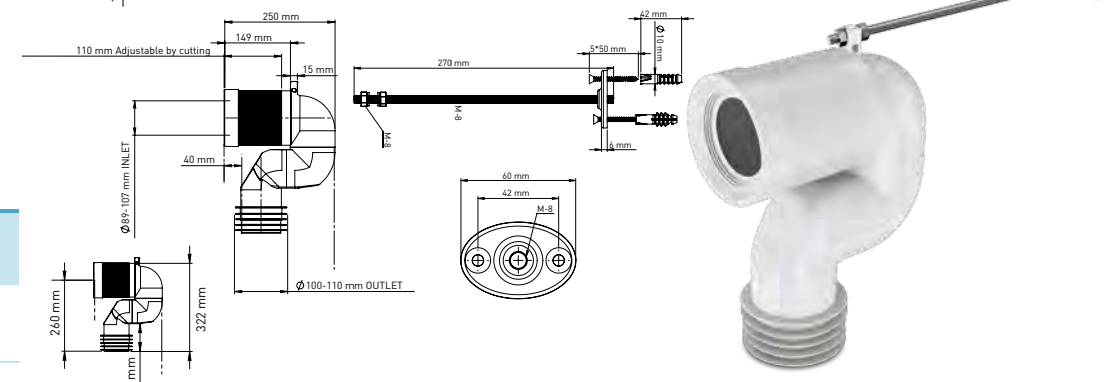


(T-2 100/110)

Product Code  
**PS005 110 100**

Pcs in Box	Box Sizes	Box Weight
18	70x40x67cm	14,360 kg

Material  
PP+TPE



## S PAN CONNECTOR ADJUSTABLE BY CUTTING

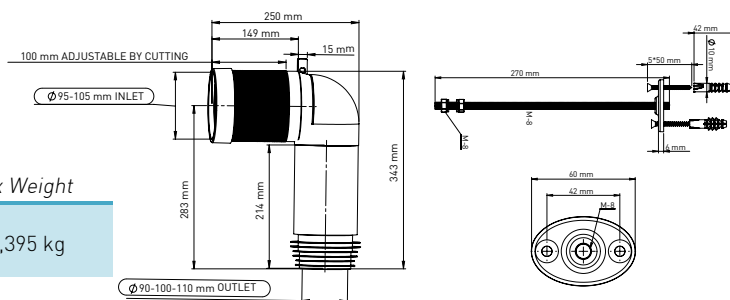
Can be especially used for back to wall WCs, pan is adjustable by cutting till 100 mm, allows WC to side up to toilet-wall easily. 89-107 mm inlet suits all pan spigots.



(T-3 90/100/110)

Product Code  
**PS006 110 090**

Pcs in Box	Box Sizes	Box Weight
18	70x40x67cm	13,395 kg

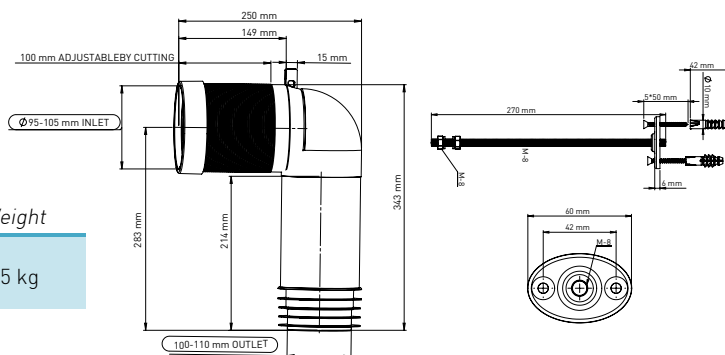


(T-3 100/110)

Product Code  
**PS006 110 100**

Pcs in Box	Box Sizes	Box Weight
18	70x40x67cm	13,395 kg

Material  
Polypropylene+TPE



## 90 DEGREES PAN CONNECTOR

Can be used for connecting P-Trap and back to wall WC's to floor line with metal components. 89-107 mm inlet suits all pan spigots.

Product Code

**PS007 110 000**

Pcs in Box

Box Sizes

Box Weight

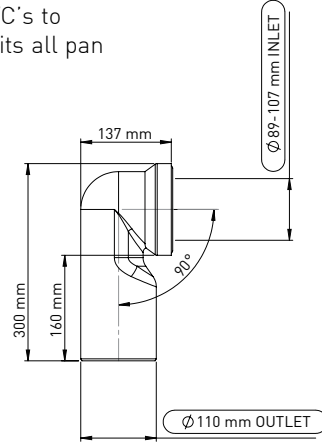
36

70x40x67cm

12,300 kg

### Material

Polypropylene+TPE



## FLEXIBLE PAN CONNECTORS PVC 100/110 - 90/100/110

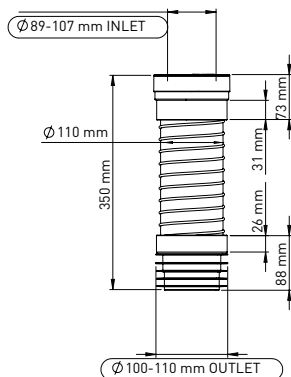
89-107 mm Inlet x 100 mm / 110 mm Flexible WC Connector. 89-107 mm inlet suits all pan spigots. Provides convenient and flexible connection in wastewater.

### TYPE-2 - 110/350 MM

Product Code  
**PS010 110 350**

Pcs in Box	Box Sizes	Box Weight
20	60x36.5x47.5cm	9,850 kg

**Material**  
Polypropylene+TPE+PVC

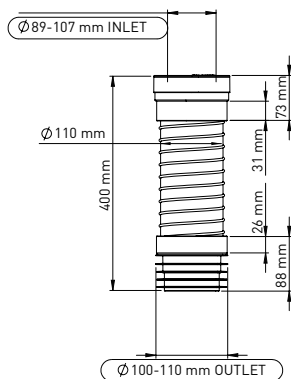


### TYPE-1 - 110/400 MM

Product Code  
**PS010 110 400**

Pcs in Box	Box Sizes	Box Weight
20	60x40x47,5cm	10,840 kg

**Material**  
Polypropylene+TPE+PVC

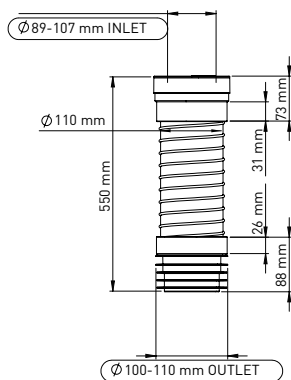


### TYPE-1 - 110/550 MM

Product Code  
**PS010 110 550**

Pcs in Box	Box Sizes	Box Weight
20	60x56,5x47,5cm	12,560 kg

**Material**  
Polypropylene+TPE+PVC

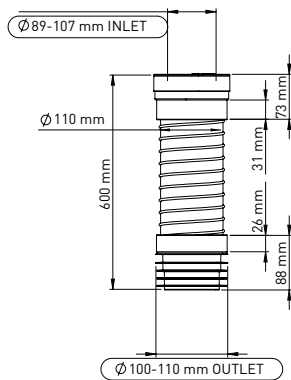


### TYPE-2 - 110/600 MM

Product Code  
**PS010 110 600**

Pcs in Box	Box Sizes	Box Weight
20	60x61,5x47,5cm	13.520 kg

**Material**  
Polypropylene+TPE+PVC



## EXTENDABLE WC PAN CONNECTOR TYPE -2 - 110/450 MM 100/110 - 90/100/110

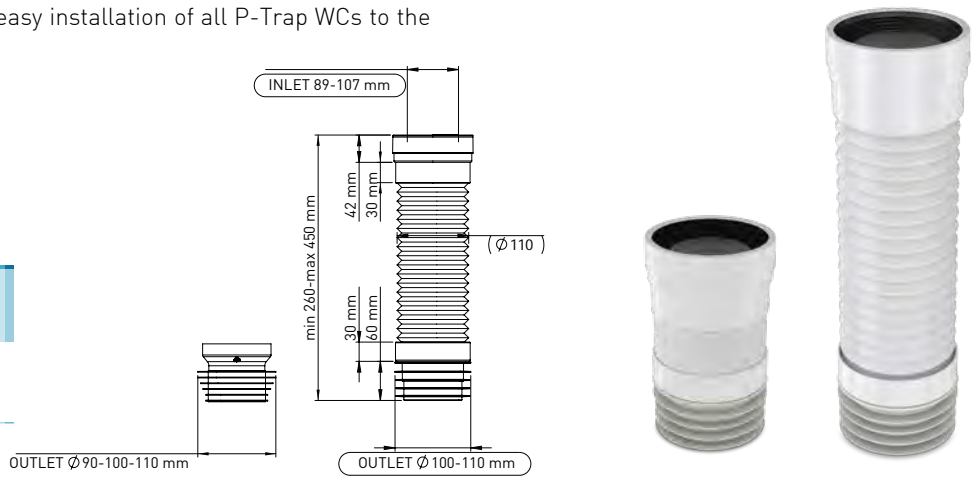
89-107 mm inlet x 100 mm / 110 mm -450 mm Extendable WC Connector. 89-107 mm inlet suits all pan spigots. Allows an easy installation of all P-Trap WCs to the wastewater installations.

**Product Code**  
**PS018 110 450**

Pcs in Box	Box Sizes	Box Weight
30	70x27x58cm	13,680 kg

**Material**

Polypropylene+TPE+Polyethylene+Steel Wire



## EXTENDABLE WC PAN CONNECTOR TYPE -2 110/550 MM 100/110 - 90/100/110

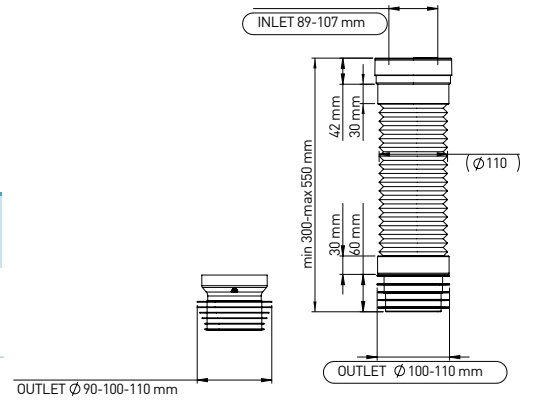
89-107 mm Inlet x 100 mm / 110 mm -550 mm Extendable WC Connector. 89-107 mm inlet suits all pan spigots. Allows an easy installation of all P-Trap WCs to the wastewater installations.

**Product Code**  
**PS018 110 550**

Pcs in Box	Box Sizes	Box Weight
30	70x30,5x58cm	14,050 kg

**Material**

Polypropylene+TPE+Polyethylene+Steel Wire



## EXTENDABLE WC PAN CONNECTOR - TYPE 1 100/350 MM - 90/100/110

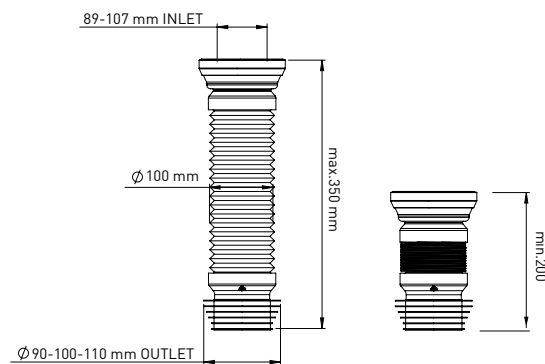
89-107mm Inlet x 90 mm / 100 mm / 110 mm - 350 mm Extendable WC Connector. 89-107mm Inlet suits all pan spigots. Allows an easy installation of all P-Trap WCs to the wastewater installations.

**Product Code**  
**PS012 100 350**

Pcs in Box	Box Sizes	Box Weight
30	70x22x58cm	11.070 kg

**Material**

Polypropylene+TPE+Polyethylene+Steel Wire



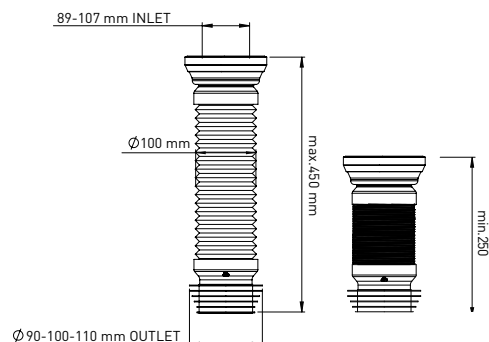
## EXTENDABLE PAN CONNECTORS - 100/450 MM PVC 100/110 - 90/100/110

89-107 mm inlet x 90 mm / 100 mm / 110 mm-450 mm Extendable WC Connector. 89-107 mm inlet suits all pan spigots. Allows an easy installation of all P-Trap WCs to the wastewater installations.

Product Code  
**PS012 100 450**

Pcs in Box	Box Sizes	Box Weight
30	70x27x58cm	11,800 kg

**Material**  
Polypropylene+TPE+Polyethylene+Steel Wire



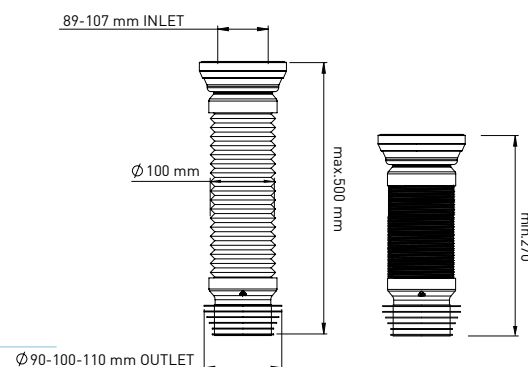
## EXTENDABLE WC PAN CONNECTOR 100/500 MM - 90/100/110

89-107 mm inlet x 90 / 100 mm / 110 mm -500 mm Extendable WC Connector. 89-107 mm inlet suits all pan spigots. Allows an easy installation of all P-Trap WCs to the wastewater installations

Product Code  
**PS012 100 500**

Pcs in Box	Box Sizes	Box Weight
30	70x27x58cm	12.435 kg

**Material**  
Polypropylene+TPE+Polyethylene+Steel Wire



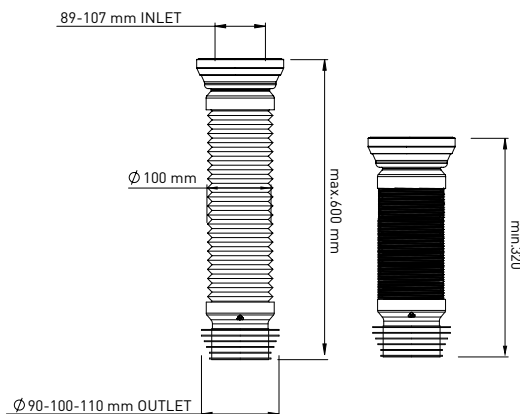
## EXTENDABLE WC PAN CONNECTOR 100/600 MM - 90/100/110

89-107 mm inlet x 90 mm / 100 mm / 110 mm-600 mm Extendable WC Connector. 89-107 mm inlet suits all pan spigots. Allows an easy installation of all P-Trap WCs to the wastewater installations.

Product Code  
**PS012 100 600**

Pcs in Box	Box Sizes	Box Weight
30	70x30,5x58cm	13.300 kg

**Material**  
Polypropylene+TPE+Polyethylene+Steel Wire



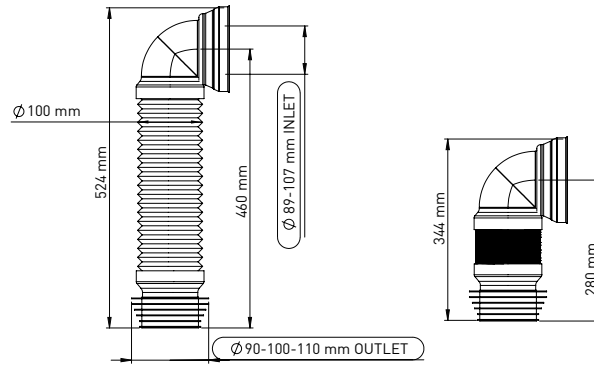
## EXTENDABLE WC PAN ELBOW CONNECTOR - 100/460 MM 90/100/110

89-107 mm inlet x 90 mm / 100 mm / 110 mm-460 mm Extendable WC Connector. 89-107 mm Inlet suits all pan spigots. Connects back to wall WCs to the wastewater pipe. With its elastic form makes wastewater outlet connection possible when it is off center.

Product Code  
**PS014 100 460**

Pcs in Box	Box Sizes	Box Weight
24	61x52x42cm	10,745 kg

**Material**  
Polypropylene+TPE+Polyethylene+Steel Wire



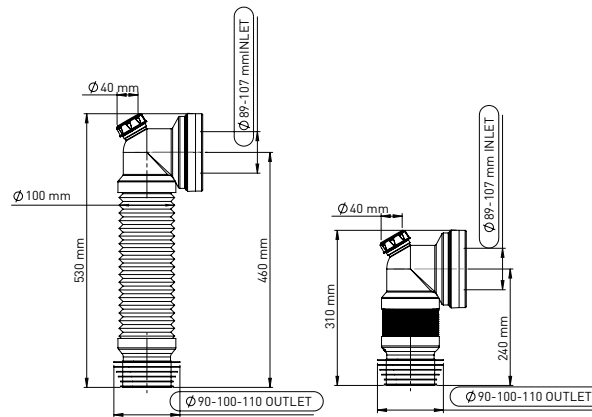
## EXTENDABLE WC PAN ELBOW CONNECTOR 100/460 MM WITH Ø40 INSPECTION INLET 90/100/110

89-107 mm Inlet x 90 mm / 100 mm / 110 mm-460 mm Extendable WC Connector with Ø 40 Inspection Inlet 89-107 mm inlet suits all pan spigots. Connects back to wall WCs to the wastewater pipe. With its elastic form makes wastewater outlet connection possible when it is off center.

Product Code  
**PSC14 100 460**

Pcs in Box	Box Sizes	Box Weight
24	61x52x42cm	11,930 kg

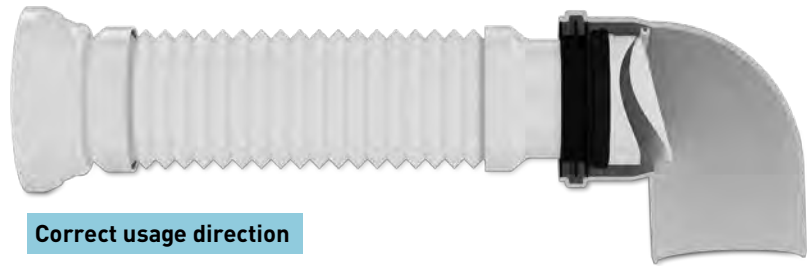
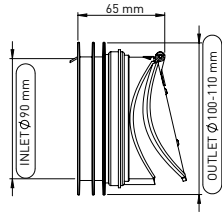
**Material**  
Polypropylene+TPE+Polyethylene+Steel Wire





## ANTI CROSS-FLOW AND RODENT BARRIER VALVE 100/110 MM

Product Code  
**PSCK 100 110**



Correct usage direction



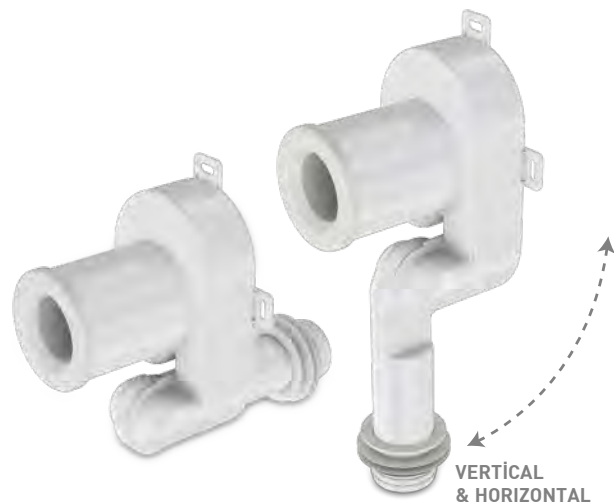
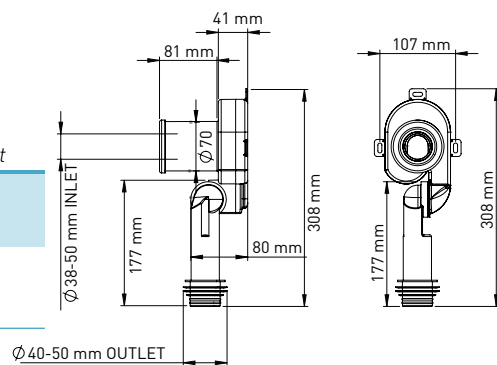
## URINAL SYPHON, VERTICAL & HORIZONTAL FUNCTION 50/40 MM

Can be used as hidden syphon on urinal. Can be installed in function of horizontal or vertical direction.

Product Code  
**PS019 050 040**

Pcs in Box	Box Sizes	Box Weight
12	55x51x22cm	3.580 kg

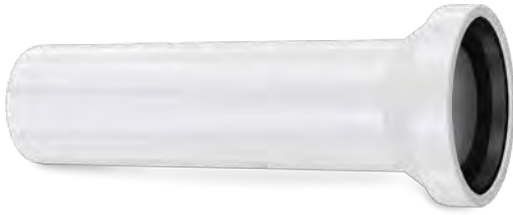
Material  
Polypropylene+TPE



VERTICAL & HORIZONTAL

## STRAIGHT PAN CONNECTORS

89-107 mm inlet x 90 mm Outlet. Connects P-Trap WC and wall-hung WCs to wall installation 89-107 mm inlet suits all pan spigots.



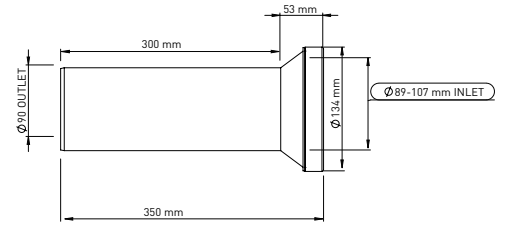
### 90/350 MM

Product Code  
**PS004 090 350**

Pcs in Box	Box Sizes	Box Weight
16	58x54x36,5cm	5.690 kg

#### Material

Polypropylene + TPE



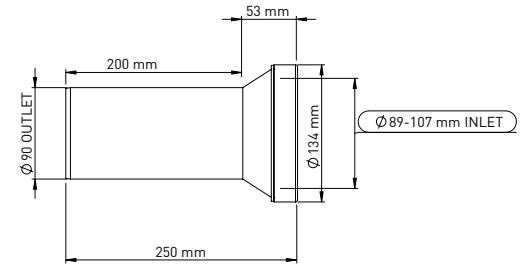
### 90/250 MM

Product Code  
**PS004 090 250**

Pcs in Box	Box Sizes	Box Weight
16	58x54x26,5cm	4.770 kg

#### Material

Polypropylene + TPE



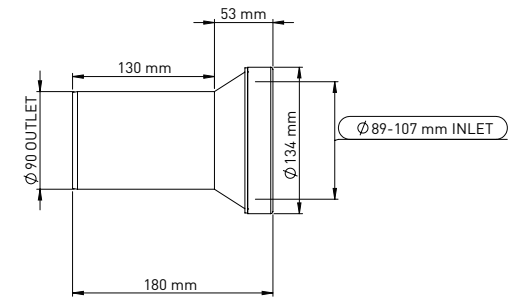
### 90/180 MM

Product Code  
**PS004 090 180**

Pcs in Box	Box Sizes	Box Weight
16	58x54x19,5cm	4.140 kg

#### Material

Polypropylene + TPE



## STRAIGHT PAN CONNECTOR

89-107 mm inlet x 100 mm Outlet. Connects P-Trap WC to the wall installation. 89-107 mm inlet suits all pan spigots.

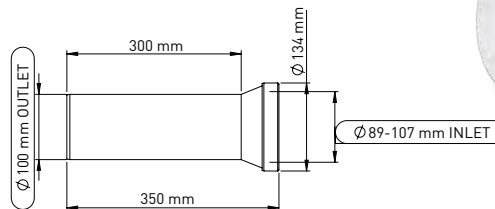
### 100/350 MM

Product Code  
**PS004 100 350**

Pcs in Box	Box Sizes	Box Weight
16	58x54x36,5cm	7,300 kg

#### Material

Polypropylene + TPE



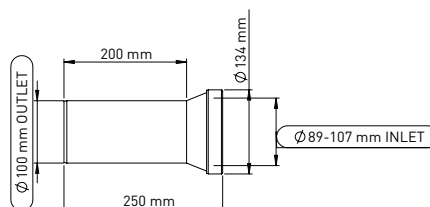
### 100/250 MM

Product Code  
**PS004 100 250**

Pcs in Box	Box Sizes	Box Weight
16	58x54x26,5cm	5,800 kg

#### Material

Polypropylene + TPE



## STRAIGHT PAN CONNECTOR

89-107 mm inlet x 110 mm Outlet. Connects P-Trap WC to the wall installation.  
89-107 mm inlet suits all pan spigots.

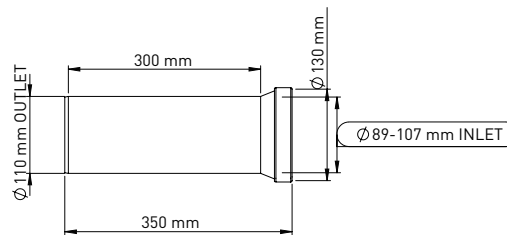


### 110/350 MM

Product Code  
**PS004 110 350**

Pcs in Box	Box Sizes	Box Weight
16	58x54x36,5cm	6,060 kg

**Material**  
Polypropylene + TPE

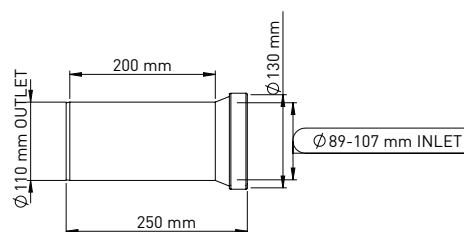


### 110/250 MM

Product Code  
**PS004 110 250**

Pcs in Box	Box Sizes	Box Weight
16	58x54x26,5cm	5,850 kg

**Material**  
Polypropylene + TPE



## ROSETTE

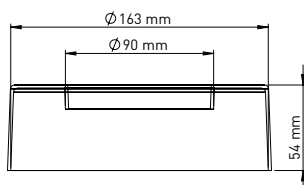
Covers the place on the wall where the pan connector is fixed.

### 90/163 MM

Product Code  
**PS020 090 163**

Pcs in Box	Box Sizes	Box Weight
54	50x50x34,5cm	5,500 kg

**Material**  
Polypropylene

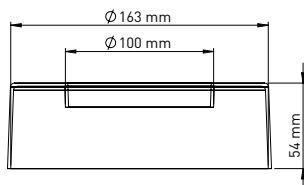


### 100/163 MM

Product Code  
**PS021 100 163**

Pcs in Box	Box Sizes	Box Weight
54	50x50x34,5cm	5,140 kg

**Material**  
Polypropylene

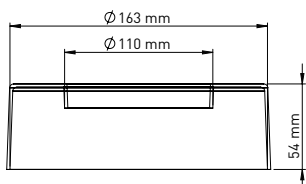


### 110/163 MM

Product Code  
**PS022 110 163**

Pcs in Box	Box Sizes	Box Weight
54	50x50x34,5cm	4,600 kg

**Material**  
Polypropylene







**EASY-FLEX  
HOSES**

**18-23**

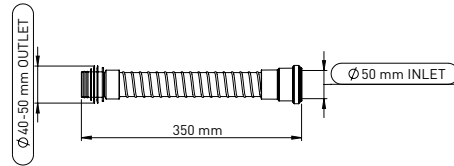
## EASY-FLEX Ø50 MM INLET Ø40-50 MM OUTLET 350 - 450 - 600 MM

Ø 50 mm inlet Ø40-50 MM gasket outlet EASY-FLEX 35-45-60 cm  
 Provides flexibility for water pipe in wastewater installations with its elastic form.  
 Generally can be used in bathtub and filter binding. (MALE-FEMALE)

Product Code

**PS015 040 350**

Pcs in Sack	Sack Size	Sack Weight
200	150x90x30cm	29,940 kg



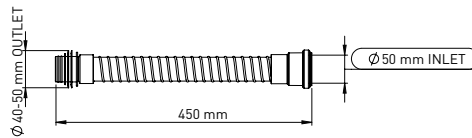
**Material**

Polypropylene+TPE

Product Code

**PS015 040 450**

Pcs in Sack	Sack Size	Sack Weight
150	150x90x30cm	24,940 kg



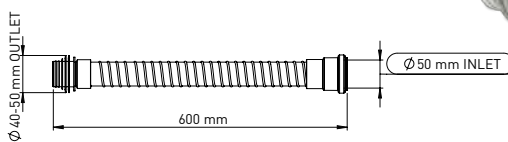
**Material**

Polypropylene+TPE

Product Code

**PS015 040 600**

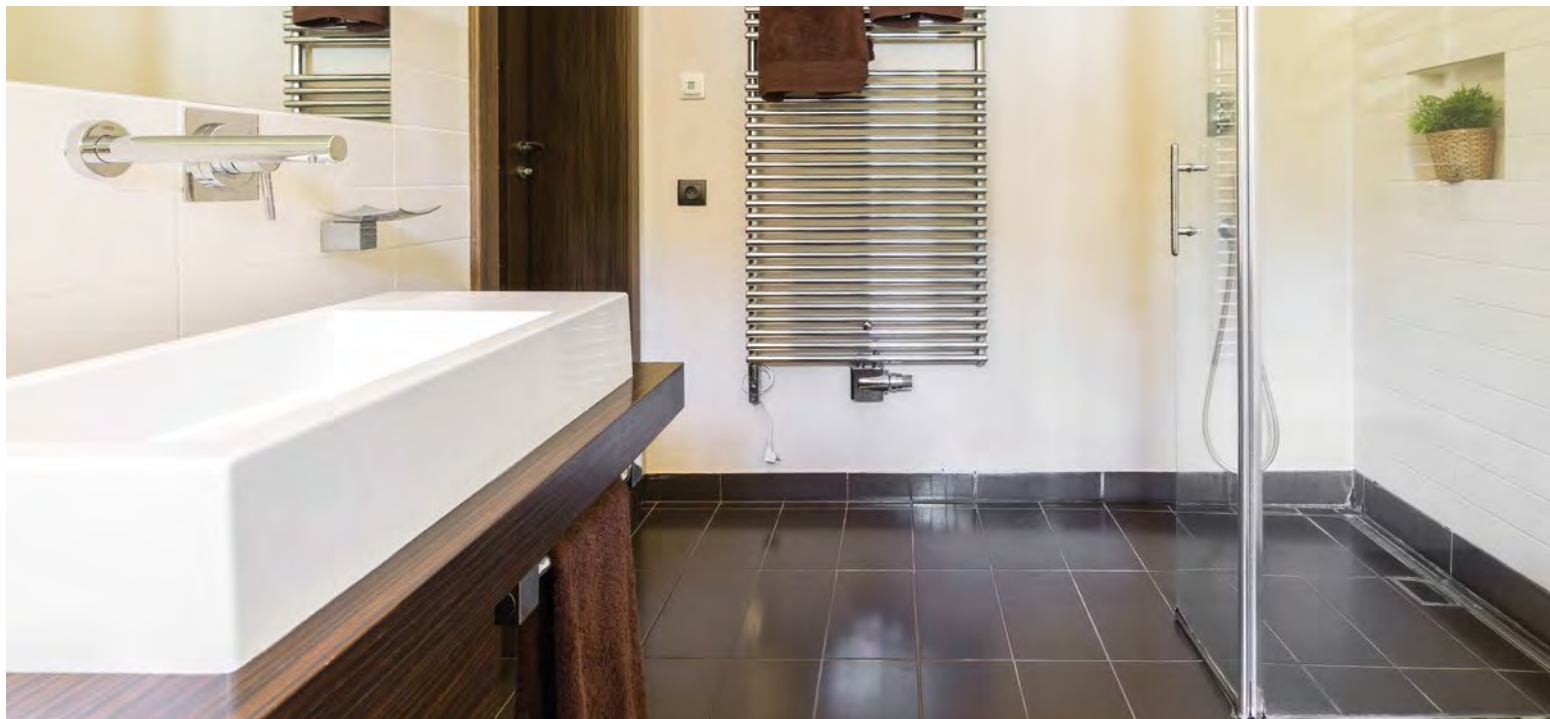
Pcs in Sack	Sack Size	Sack Weight
100	150x90x30cm	19,120 kg



**Material**

Polypropylene+TPE





## EASY-FLEX Ø50 MM INLET Ø40-50 MM OUTLET 350 - 450 - 600 MM ELBOW

Ø 50 mm inlet Ø40-50 MM elbow gasket outlet EASY-FLEX 35-45-60 cm. Provides flexibility for water pipe in wastewater installations with its elastic form. Generally can be used in bathtub and filter binding. (MALE-FEMALE)

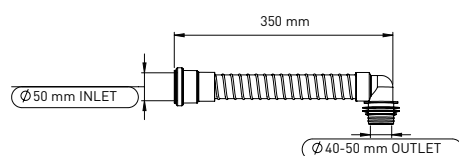
Product Code

**PSD15 040 350**

Pcs in Sack	Sack Size	Sack Weight
200	150x90x30cm	30,240 kg

### Material

Polypropylene+TPE



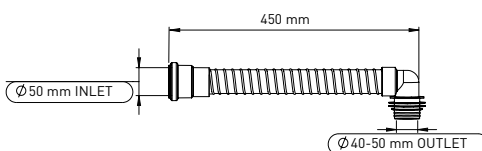
Product Code

**PSD15 040 450**

Pcs in Sack	Sack Size	Sack Weight
150	150x90x30cm	26,060 kg

### Material

Polypropylene+TPE



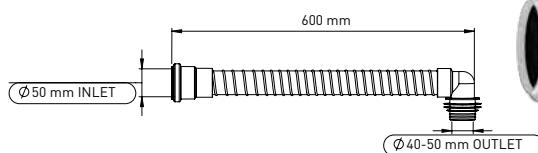
Product Code

**PSD15 040 600**

Pcs in Sack	Sack Size	Sack Weight
100	150x90x30cm	21,130 kg

### Material

Polypropylene+TPE





## EASY-FLEX Ø50 MM INLET Ø50 MM OUTLET 350 - 450 - 600 MM

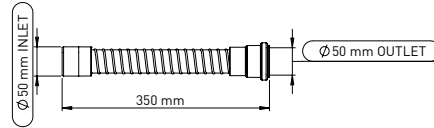
Ø 50 mm inlet Ø50 MM outlet EASY-FLEX 35-45-60 cm. Provides flexibility for water pipe in wastewater installations with its elastic form. Generally can be used in bathtub and filter binding. (MALE-FEMALE)

### 350 MM

Product Code

**PS016 050 350**

Pcs in Sack	Sack Size	Sack Weight
200	150x90x30cm	29.940 kg



#### Material

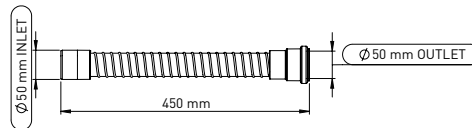
Polypropylene+TPE

### 450 MM

Product Code

**PS016 050 450**

Pcs in Sack	Sack Size	Sack Weight
150	150x90x30cm	24.940 kg



#### Material

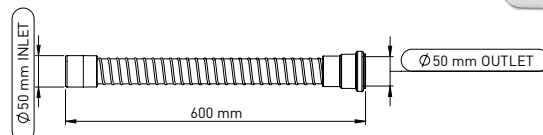
Polypropylene+TPE

### 600 MM

Product Code

**PS016 050 600**

Pcs in Sack	Sack Size	Sack Weight
100	150x90x30cm	19.120 kg



#### Material

Polypropylene+TPE





## EASY-FLEX Ø50 MM INLET Ø50 MM OUTLET 350 - 450 - 600 MM CAN BE ADJUSTED BY SCREWING MOTION

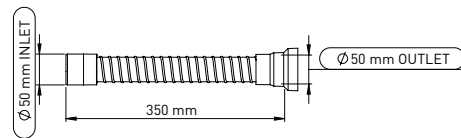
Ø 50 mm EASY-FLEX 35 - 45 - 60 cm Provides flexibility for water pipe in wastewater installations with its elastic form. Generally can be used in bathtub and filter binding.

### 350 MM

Product Code  
**PS017 050 350**

Pcs in Sack	Sack Size	Sack Weight
200	150x90x30cm	29,940 kg

**Material**  
PP+TPE

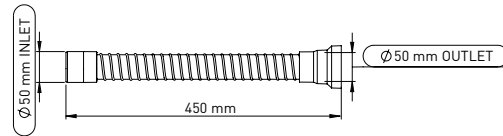


### 450 MM

Product Code  
**PS017 050 450**

Pcs in Sack	Sack Size	Sack Weight
150	150x90x30cm	24,940 kg

**Material**  
PP+TPE

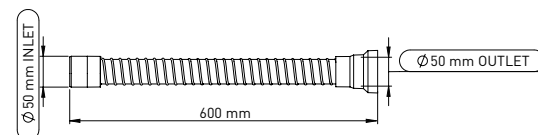


### 600 MM

Product Code  
**PS017 050 600**

Pcs in Sack	Sack Size	Sack Weight
100	150x90x30cm	19,120 kg

**Material**  
PP+TPE







**CLEAN WATER  
TUBING**

**24-27**

## 1/2-1/2 BRASS NUTS PERT FLEXIBLE PIPE

Pe-RT 30 - 40 - 45 - 55 - 60 CM TUBING WITH 1/2 - 1/2 BRASS NUTS

Can be used for inlet of self-cleaning pipe and reservoir of bidet type back to wall WC's and wall hung WC's.

### 300 MM

Product Code

**SG005 300 03 03 1 1 00**

Pcs in Box    Box Sizes    Box Weight

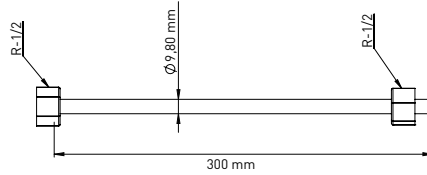
100

57x24,5x15cm

7,240 kg

#### Material

PE-RT + BRASS



### 400 MM

Product Code

**SG005 400 03 03 1 1 00**

Pcs in Box    Box Sizes    Box Weight

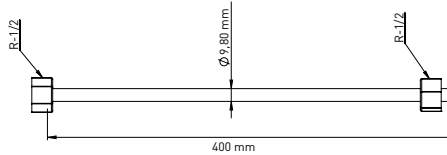
100

57x24,5x15cm

7,530 kg

#### Material

PE-RT + BRASS



### 450 MM

Product Code

**SG005 450 03 03 1 1 00**

Pcs in Box    Box Sizes    Box Weight

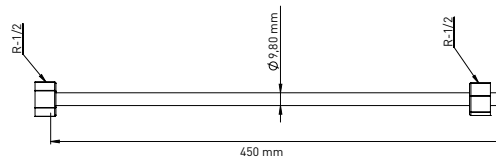
100

57x24,5x15cm

7,700 kg

#### Material

PE-RT + BRASS



### 550 MM

Product Code

**SG005 550 03 03 1 1 00**

Pcs in Box    Box Sizes    Box Weight

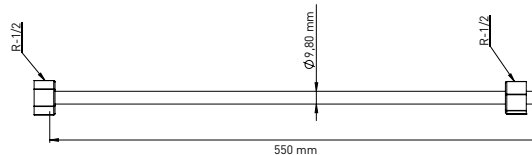
100

72x24,5x15cm

7,820 kg

#### Material

PE-RT + BRASS



### 600 MM

Product Code

**SG005 600 03 03 1 1 00**

Pcs in Box    Box Sizes    Box Weight

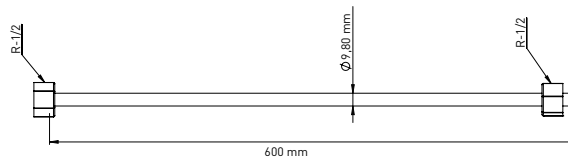
100

72x24,5x15cm

7,960 kg

#### Material

PE-RT + BRASS



## 3/8-3/8 BRASS-BRASS NUT PERT FLEXIBLE PIPE

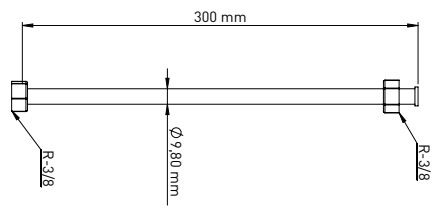
Pe-RT 30 - 40 - 45 - 50 - 60 CM TUBING WITH 3/8 - 3/8 BRASS NUTS  
 Can be used for inlet of self-cleaning pipe and reservoir of bidet type back to wall WC's and wall hung WC's.

### 300 MM

Product Code  
**SG005 300 01 01 1 1 00**

Pcs in Box	Box Sizes	Box Weight
100	57x24,5x15cm	4,350 kg

**Material**  
 PE-RT + BRASS

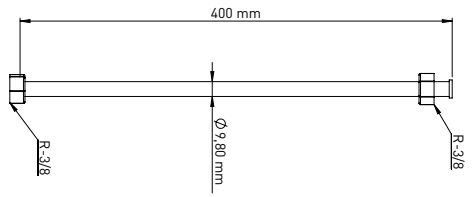


### 400 MM

Product Code  
**SG005 400 01 01 1 1 00**

Pcs in Box	Box Sizes	Box Weight
100	57x24,5x15cm	4,650 kg

**Material**  
 PE-RT + BRASS

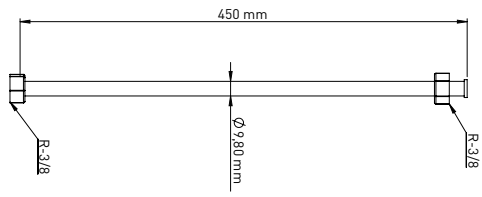


### 450 MM

Product Code  
**SG005 450 01 01 1 1 00**

Pcs in Box	Box Sizes	Box Weight
100	57x24,5x15cm	4,800 kg

**Material**  
 PE-RT + BRASS

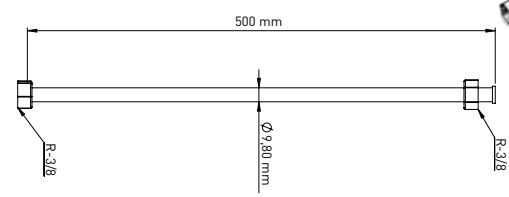


### 500 MM

Product Code  
**SG005 500 01 01 1 1 00**

Pcs in Box	Box Sizes	Box Weight
100	72x24,5x15cm	4,900 kg

**Material**  
 PE-RT + BRASS

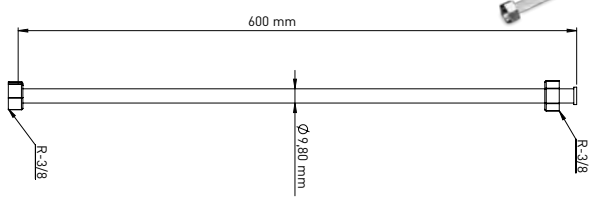


### 600 MM

Product Code  
**SG005 600 01 01 1 1 00**

Pcs in Box	Box Sizes	Box Weight
100	72x24,5x15cm	5 kg

**Material**  
 PE-RT + BRASS







# TUBING FOR CONCEALED CISTERN

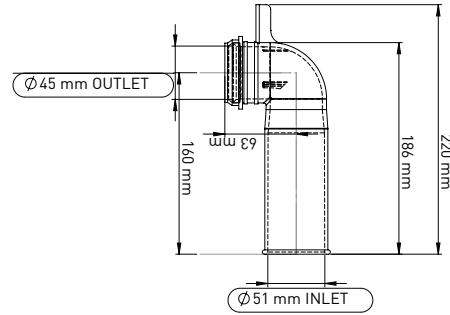
28-33

### Ø50X90° CONCEALED CISTERN CLEAN WATER ELBOW 220 mm

Ø50X90° Concealed cistern clean water elbow pipe 220 mm

Product Code  
**GT001 045 220**

**Material**  
Polypropylene + SBR

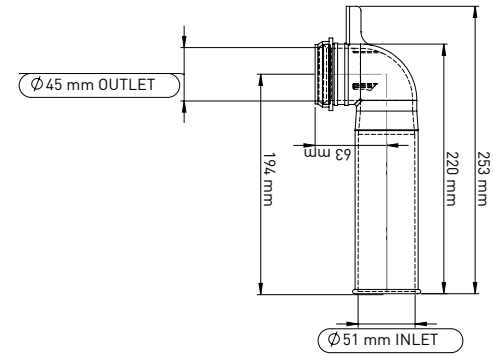


### Ø50X90° CONCEALED CISTERN CLEAN WATER ELBOW 253 mm

Ø50X90° Concealed cistern clean water elbow pipe 253 mm

Product Code  
**GT001 045 253**

**Material**  
Polypropylene + SBR

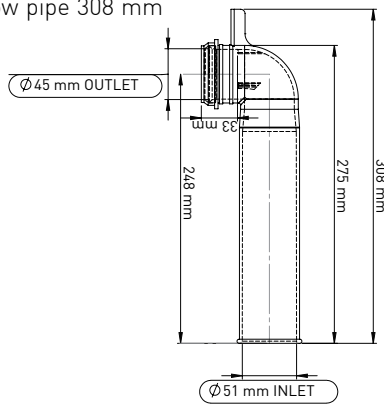


### Ø50X90° CONCEALED CISTERN CLEAN WATER ELBOW 308 mm

Ø50X90° Concealed cistern clean water elbow pipe 308 mm

Product Code  
**GT001 045 308**

**Material**  
Polypropylene + SBR

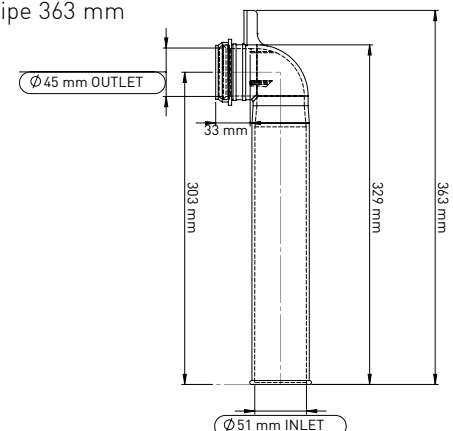


### Ø50X90° CONCEALED CISTERN CLEAN WATER ELBOW 363 mm

Ø50X90° Concealed cistern clean water elbow pipe 363 mm

Product Code  
**GT001 045 363**

**Material**  
Polypropylene + SBR



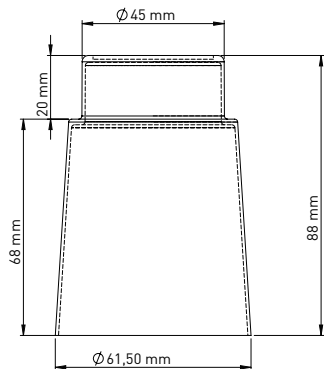


## Ø45 CONCEALED CISTERN STOPPER

Ø45 mm Stopper for concealed cistern.

Product Code  
**GT002 045**

Material  
Polypropylene

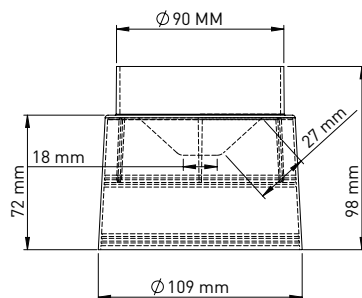


## Ø90 CONCEALED CISTERN STOPPER

Ø90 mm Stopper for concealed cistern.

Product Code  
**GP002 090**

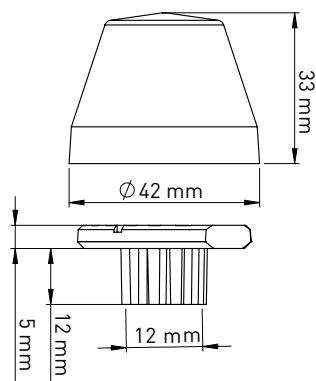
Material  
Polypropylene



## CONCEALED CISTERN M12 CONICAL BUSH & STOPPER

Product Code  
**GR001 012**

Material  
Polypropylene

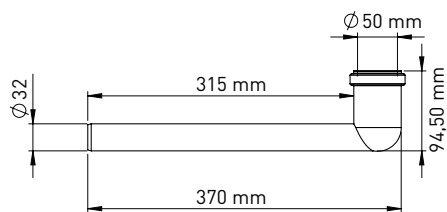


## CONCEALED CISTERN 50\*32-315 mm SQUATTING PAN CONNECTION PIPE

50\*32-315 mm Concealed cistern connection pipe for squatting pan.

Product Code  
**GPH01 050 032 315**

Material  
PVC + SBR



### CONCEALED CISTERN Ø90\*220 MM WASTE WATER OUTLET PIPE



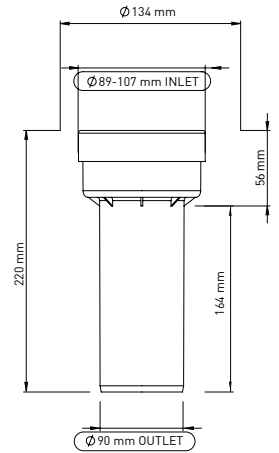
Ø90\*220 MM Waste water outlet pipe for concealed cistern. 89-107mm Inlet suits all pan spigots.

90/220 MM

Product Code  
**GP001 090 220**

Pcs in Box	Box Sizes	Box Weight
20	58x54x23,5cm	7.600 kg

**Material**  
Polypropylene+TPE



### CONCEALED CISTERN Ø90\*350 MM WASTE WATER OUTLET PIPE

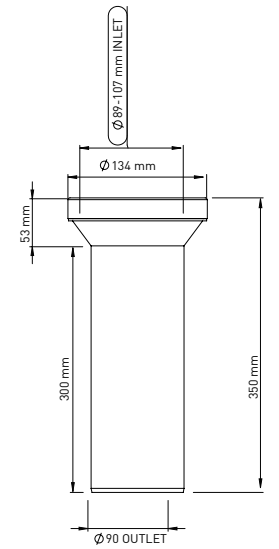
Ø90\*350 MM Waste water outlet pipe for concealed cistern. 89-107mm Inlet suits all pan spigots.

90/350 MM

Product Code  
**PS004 090 350**

Pcs in Box	Box Sizes	Box Weight
16	58x54x36,5cm	5.690 kg

**Material**  
Polypropylene + TPE



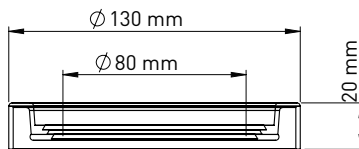
### CONCEALED CISTERN WASTE WATER ENTRY GASKET

Gasket for waste water outlet pipe of concealed cistern. 89-107mm Inlet suits all pan spigots.

Product Code  
**GPC01 100 000**

Pcs in Box	Box Sizes	Box Weight
100	41x40x40cm	7,430 kg

**Material**  
TPE



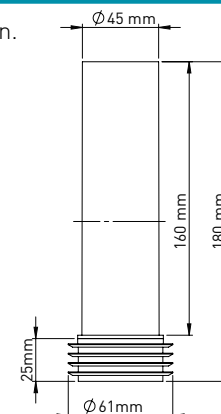
### CONCEALED CISTERN Ø45\*180 MM CLEAN WATER PIPE

Ø45\*180 Clean water inlet for concealed cistern.

Product Code  
**GT001 045 180**

Pcs in Box	Box Sizes	Box Weight
20	58x54x23,5cm	7,600 kg

**Material**  
Polypropylene+TPE



## CONCEALED CISTERN CLEAN WATER ENTRY GASKET

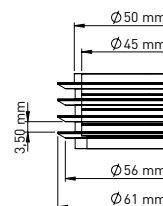
Gasket of clean water inlet for concealed cistern.



Product Code  
**GTC01 045 000**

Pcs in Box	Box Sizes	Box Weight
100	42x24,5x16cm	1,670 kg

Material  
TPE



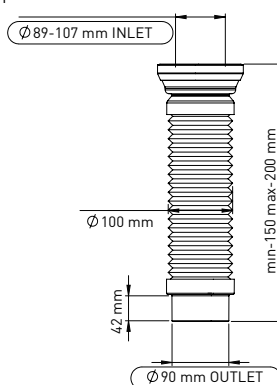
## CONCEALED CISTERN Ø90\*180 MM WASTE WATER EXTENDABLE OUTLET PIPE

Ø100 mm - L:220 mm WC EXTENDABLE PAN CONNECTOR 89-107mm Inlet x 90 mm Extendable WC Connector. 89-107 mm inlet suits all pan spigots. Allows an easy installation of all P-Trap WCs to the wastewater installations.

Product Code  
**GPK01 090 180 S**

Pcs in Box	Box Sizes	Box Weight
20	85x54x19,5cm	5,385 kg

Material  
Polypropylene+TPE+Polyethylene+Steel Wire



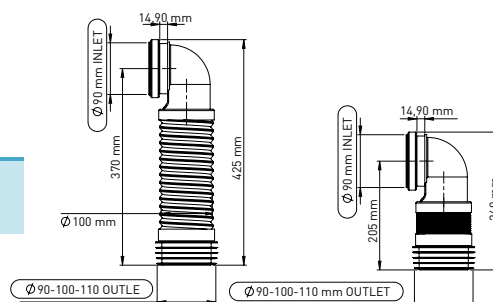
## CONCEALED CISTERN Ø90\*370 MM Ø90-100/110 OUTLET EXTENDABLE ELBOW

Ø90 inlet 90/100/110 mm outlet - 205 mm - 370 mm Wallhung WC Waste water connector.

Product Code  
**GPK02 090 370 E**

Pcs in Box	Box Sizes	Box Weight
20	47x30x52cm	8,035 kg

Material  
Polypropylene+TPE+Polyethylene+Steel Wire



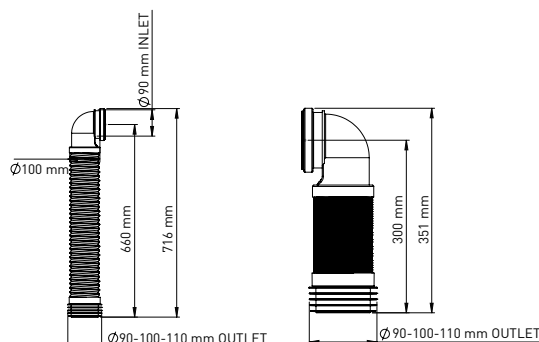
## CONCEALED CISTERN Ø90\*660 MM Ø90-100/110 OUTLET EXTENDABLE ELBOW

Ø90 inlet 90/100/110 mm outlet 350 mm - 660 mm Wallhung WC Waste water connector.

Product Code  
**GPK02 090 660 E**

Pcs in Box	Box Sizes	Box Weight
20	47x39x52cm	10,03 kg

Material  
Polypropylene+TPE+Polyethylene+Steel Wire





# GASKETS

34-37

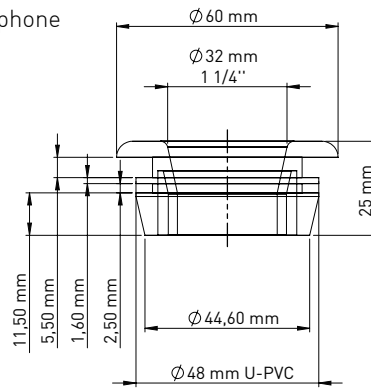
## U-PVC 48 MM X 32 MM (1 1/4") SYPHON ADAPTING GASKET

SQUATTING PAN GASKET A. 48 MM X 32 MM (1 1/4") Gasket for water inlet on squatting pans. Can also be used as syphone adapting gasket for U-PVC pipe.

Product Code  
**ADP001 048 114**

Pcs in Box	Box Sizes	Box Weight
600	41x40x40cm	17,960 kg

**Material**  
TPE



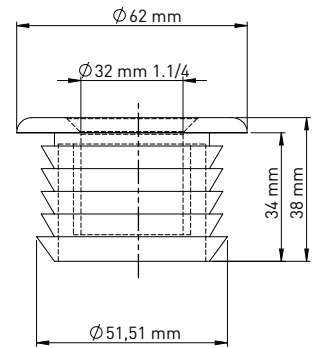
## SQUATTING PAN GASKET B (THERMO PLASTIC RUBBER)

SQUATTING PAN GASKET B 32 MM X 50 MM (1 1/4") Gasket for water inlet on squatting pans.

Product Code  
**ADP002 048 114**

Pcs in Box	Box Sizes	Box Weight
400	41x40x40cm	18,200 kg

**Material**  
TPE



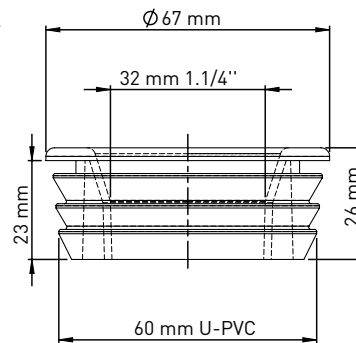
## U-PVC 60 MM X 32 MM (1 1/4") SYPHON ADAPTING SEAL

WC PAN GASKET - 60 MM X 32 MM (1 1/4") Gasket of water inlet for WCs. Can also be used as syphone adapting gasket for U-PVC Pipe.

Product Code  
**ADP003 060 114**

Pcs in Box	Box Sizes	Box Weight
400	41x40x40cm	15,320 kg

**Material**  
TPE



## URINAL CLEAN WATER INLET GASKET 12 MM

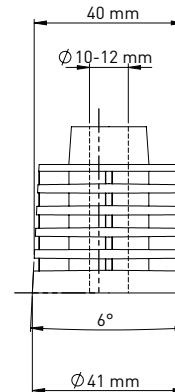
GASKET FOR URINAL 12 mm - Can be used on water inlet of urinal.



Product Code  
**ADP004 012 000**

Pcs in Box	Box Sizes	Box Weight
300	40x25x28cm	9,980 kg

**Material**  
TPE



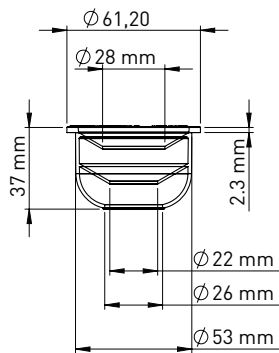
## U-PVC 48 MM X 25 MM (1") SYPHON ADAPTING SEAL

SYPHONE ADAPTOR GASKET - 48 MM X 25 MM (1") Gasket to adaptor syphones. Can also be used as syphon adapting gasket for U-PVC pipe.

Product Code  
**ADP005 040 025**

Pcs in Box	Box Sizes	Box Weight
400	41x40x40cm	8,520 kg

**Material**  
TPE



## U-PVC 60 MM X 40 MM (1 1/2") SYPHON ADAPTING SEAL

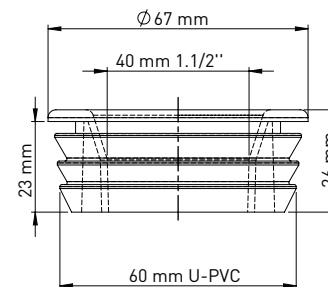
SYPHONE ADAPTOR GASKET - 60 MM X 40 MM (1 1/2") Gasket of water inlet especially for single piece WCs and single back to wall WCs. Can also be used as syphon adapting gasket for U-PVC pipe.



Product Code  
**ADP008 060 112**

Pcs in Box	Box Sizes	Box Weight
400	41x40x40cm	15,270 kg

**Material**  
TPE









**OVER FLOW  
RINGS**

**38-41**

## OVERFLOW RING

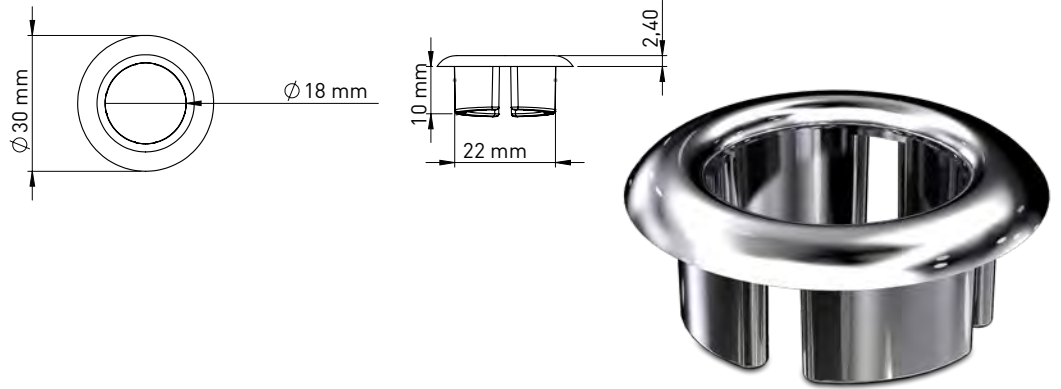
WASHBASIN OVER FLOW RING WITH SHORT PIN

Product Code  
**LY001**

Pcs in Box      Box Sizes      Box Weight

6000      41x40x40cm      13,250 kg

**Material**  
ABS



## OVERFLOW RING

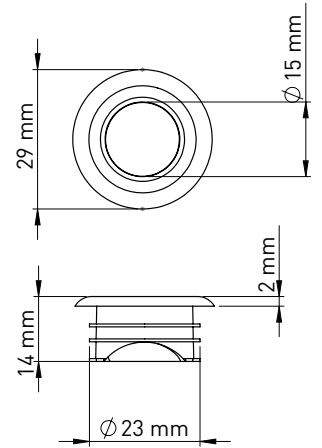
WASHBASIN OVER FLOW RING WITH GASKET

Product Code  
**LY002**

Pcs in Box      Box Sizes      Box Weight

6000      41x40x40cm      14,790 kg

**Material**  
ABS + EVA



## OVERFLOW RING

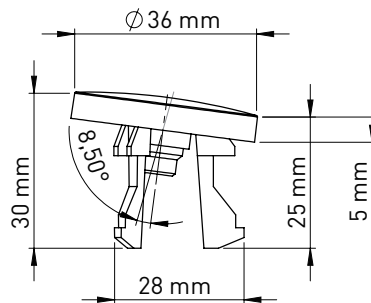
WASHBASIN OVER FLOW RING WITH SHORT PIN

Product Code  
**LY003**

Pcs in Box      Box Sizes      Box Weight

2500      41x40x40cm      14,740 kg

**Material**  
ABS + POM





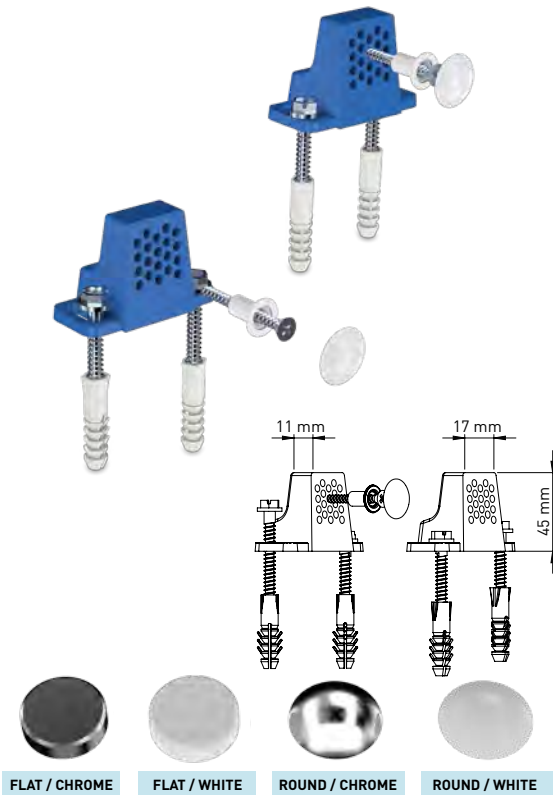




**FIXING SETS  
FOR SANITARY  
WARE ITEMS**

**42-59**

## CLOSET SIDE FIXING SET BLUE TYPE 2



### INOX-WHITE COVER

Product Code  
**KM002 0 02 2 40**

Pcs in Box	Box Sizes	Box Weight
200	41x40x40cm	22,600 kg

2 Pcs. Brackets -4 pcs 6x65 mm iron screws - 2 pcs 5x40 mm inox screws  
4 pcs wall plugs - 2 pcs white caps (round/flat) - 2 pcs plastic grips

### STEEL-WHITE COVER

Product Code  
**KM002 0 02 1 40**

Pcs in Box	Box Sizes	Box Weight
200	41x40x40cm	22,520 kg

2 Pcs. Brackets -4 pcs 6x65 mm iron screws - 2 pcs 5x40 mm steel screws  
4 pcs wall plugs - 2 pcs white caps (round/flat) - 2 pcs plastic grips

### INOX-CHROME COVER

Product Code  
**KM002 1 02 2 40**

Pcs in Box	Box Sizes	Box Weight
200	41x40x40cm	22,210 kg

2 Pcs. Brackets -4 pcs 6x65 mm iron screws - 2 pcs 5x40 mm inox screws  
4 pcs wall plugs - 2 pcs chrome color abs caps (round/flat) - 2 pcs plastic grips

### STEEL- CHROME COVER

Product Code  
**KM002 1 02 1 40**

Pcs in Box	Box Sizes	Box Weight
200	41x40x40cm	22,430 kg

2 Pcs. Brackets -4 pcs 6x65 mm iron screws - 2 pcs 5x40 mm steel screws  
4 pcs wall plugs - 2 pcs chrome color abs caps (round/flat) - 2 pcs plastic grips

## WC BIDET SIDE FIXING SET HIGH

### INOX-WHITE COVER

Product Code  
**KM006 0 01 2 40**

Pcs in Box	Box Sizes	Box Weight
100	41x40x40cm	15,440 kg

2 Pcs. Brackets -4 pcs 6x65 mm iron screws - 2 pcs 5x40 mm inox screws  
4 pcs wall plugs - 2 pcs white caps (round/flat) - 2 pcs plastic grips

### STEEL-WHITE COVER

Product Code  
**KM006 0 01 1 40**

Pcs in Box	Box Sizes	Box Weight
100	41x40x40cm	15,300 kg

2 Pcs. Brackets -4 pcs 6x65 mm iron screws - 2 pcs 5x40 mm steel screws  
4 pcs wall plugs - 2 pcs white caps (round/flat) - 2 pcs plastic grips

### INOX-CHROME COVER

Product Code  
**KM006 1 01 2 40**

Pcs in Box	Box Sizes	Box Weight
100	41x40x40cm	15,040 kg

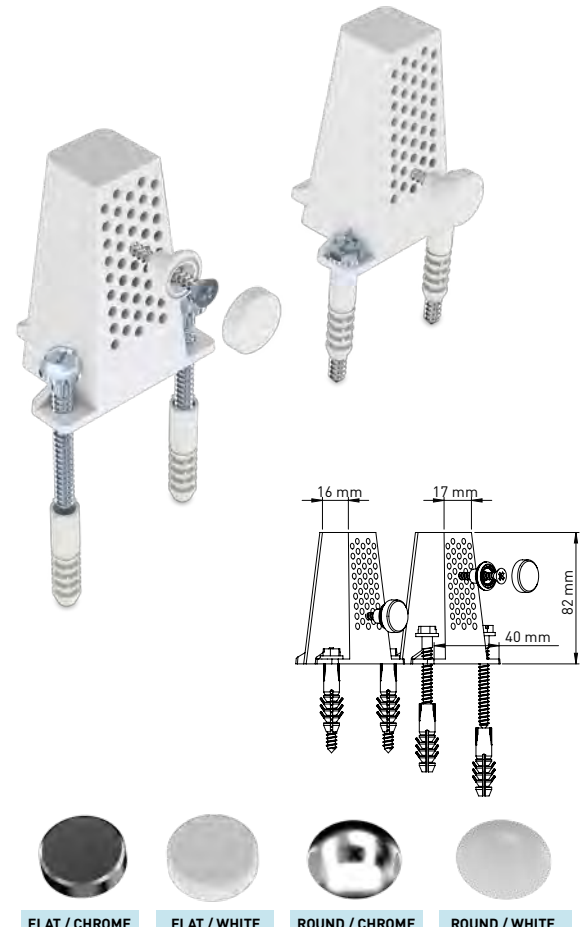
2 Pcs. Brackets -4 pcs 6x65 mm iron screws - 2 pcs 5x40 mm inox screws  
4 pcs wall plugs - 2 pcs chrome color abs caps (round/flat) - 2 pcs plastic grips

### STEEL- CHROME COVER

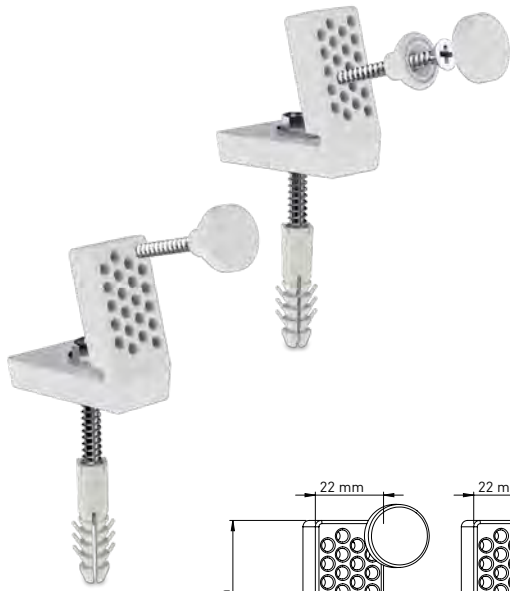
Product Code  
**KM006 1 01 1 40**

Pcs in Box	Box Sizes	Box Weight
100	41x40x40cm	15,200 kg

2 Pcs. Brackets -4 pcs 6x65 mm iron screws - 2 pcs 5x40 mm steel screws  
4 pcs wall plugs - 2 pcs chrome color abs caps (round/flat) - 2 pcs plastic grips



## CLOSET SIDE FIXING SET LOW L TYPE



### INOX-WHITE COVER

Product Code  
**KM014 0 02 2 40**

Pcs in Box	Box Sizes	Box Weight
250	41x40x40cm	21 kg

2 Pcs. Brackets - 2 pcs 6x65 mm iron screws - 2 pcs 5x40 mm inox screws  
2 pcs wall plugs - 2 pcs white caps (round/flat) - 2 pcs plastic grips

### INOX-CHROME COVER

Product Code  
**KM014 1 02 2 40**

Pcs in Box	Box Sizes	Box Weight
250	41x40x40cm	20,500 kg

2 Pcs. Brackets - 2 pcs 6x65 mm iron screws - 2 pcs 5x40 mm inox screws  
2 pcs wall plugs - 2 pcs chrome color abs caps (round/flat) - 2 pcs plastic grips

### STEEL- WHITE COVER

Product Code  
**KM014 0 02 1 40**

Pcs in Box	Box Sizes	Box Weight
250	41x40x40cm	21,200 kg

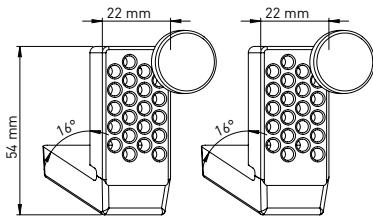
2 Pcs. Brackets - 2 pcs 6x65 mm iron screws - 2 pcs 5x40 mm steel screws  
2 pcs wall plugs - 2 pcs white caps (round/flat) - 2 pcs plastic grips

### STEEL- CHROME COVER

Product Code  
**KM014 1 02 1 40**

Pcs in Box	Box Sizes	Box Weight
250	41x40x40cm	20,680 kg

2 Pcs. Brackets - 2 pcs 6x65 mm iron screws - 2 pcs 5x40 mm steel screws  
2 pcs wall plugs - 2 pcs chrome color abs caps (round/flat) - 2 pcs plastic grips



FLAT / CHROME



FLAT / WHITE



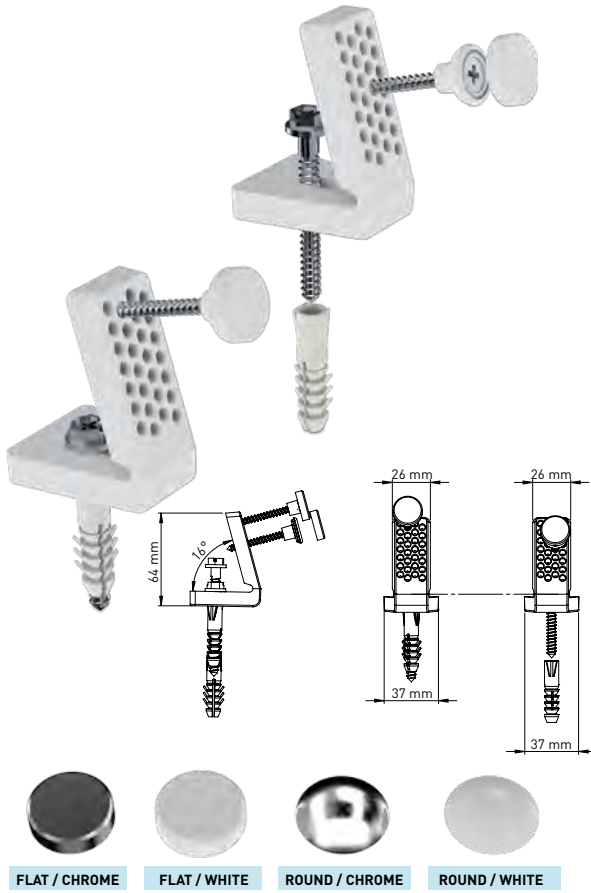
ROUND / CHROME



ROUND / WHITE



## CLOSET SIDE FIXING SET HIGH L TYPE



### INOX-WHITE COVER

Product Code  
**KM015 0 02 2 40**

Pcs in Box	Box Sizes	Box Weight
50	42x24,5x16cm	4,780 kg

2 Pcs. Brackets - 2 pcs 6x65 mm iron screws - 2 pcs 5x40 mm inox screws  
2 pcs wall plugs - 2 pcs white caps (round/flat) - 2 pcs plastic grips

### STEEL - WHITE COVER

Product Code  
**KM015 0 02 1 40**

Pcs in Box	Box Sizes	Box Weight
50	42x24,5x16cm	4,780 kg

2 Pcs. Brackets - 2 pcs 6x65 mm iron screws - 2 pcs 5x40 mm steel screws  
2 pcs wall plugs - 2 pcs white caps (round/flat) - 2 pcs plastic grips

### INOX - CHROME COVER

Product Code  
**KM015 1 02 2 40**

Pcs in Box	Box Sizes	Box Weight
50	42x24,5x16cm	4,780 kg

2 Pcs. Brackets - 2 pcs 6x65 mm iron screws - 2 pcs 5x40 mm inox screws  
2 pcs wall plugs - 2 pcs chrome color abs caps (round/flat) - 2 pcs plastic grips

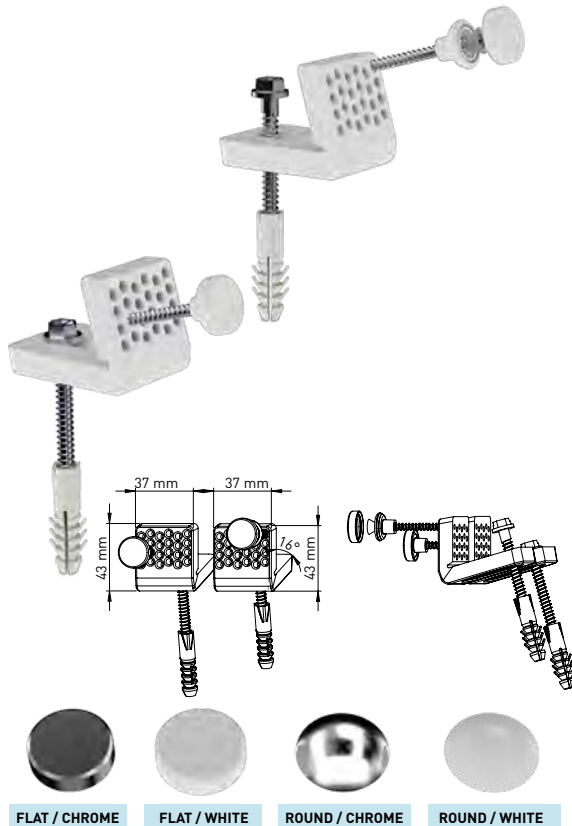
### STEEL - CHROME COVER

Product Code  
**KM015 1 02 1 40**

Pcs in Box	Box Sizes	Box Weight
50	42x24,5x16cm	4,780 kg

2 Pcs. Brackets - 2 pcs 6x65 mm iron screws - 2 pcs 5x40 mm steel screws  
2 pcs wall plugs - 2 pcs chrome color abs caps (round/flat) - 2 pcs plastic grips

## CLOSET SIDE FIXING SET LARGE L TYPE



### INOX - WHITE COVER

Product Code  
**KM007 0 02 2 40**

Pcs in Box	Box Sizes	Box Weight
150	41x40x40cm	14,980 kg

2 Pcs. Brackets - 2 pcs 6x65 mm iron screws - 2 pcs 5x40 mm inox screws  
2 pcs wall plugs - 2 pcs white caps (round/flat) - 2 pcs plastic grips

### STEEL - WHITE COVER

Product Code  
**KM007 0 02 1 40**

Pcs in Box	Box Sizes	Box Weight
150	41x40x40cm	14,980 kg

2 Pcs. Brackets - 2 pcs 6x65 mm iron screws - 2 pcs 5x40 mm steel screws  
2 pcs wall plugs - 2 pcs white caps (round/flat) - 2 pcs plastic grips

### INOX - CHROME COVER

Product Code  
**KM007 1 02 2 40**

Pcs in Box	Box Sizes	Box Weight
150	41x40x40cm	14,980 kg

2 Pcs. Brackets - 2 pcs 6x65 mm iron screws - 2 pcs 5x40 mm inox screws  
2 pcs wall plugs - 2 pcs chrome color abs caps (round/flat) - 2 pcs plastic grips

### STEEL - CHROME COVER

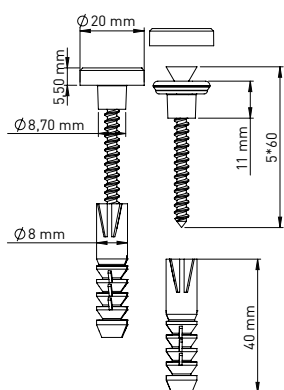
Product Code  
**KM007 1 02 1 40**

Pcs in Box	Box Sizes	Box Weight
150	41x40x40cm	14,980 kg

2 Pcs. Brackets - 2 pcs 6x65 mm iron screws - 2 pcs 5x40 mm steel screws  
2 pcs wall plugs - 2 pcs chrome color abs caps (round/flat) - 2 pcs plastic grips



## ACCESORIES FIXING KIT



FLAT / CHROME

FLAT / WHITE

ROUND / CHROME

ROUND / WHITE

### INOX - WHITE COVER

Product Code  
**KM024 0 02 2 40**

Pcs in Box	Box Sizes	Box Weight
500	40x25x28cm	7,900 kg

2 Pcs 5x50 mm inox screws - 2 pcs wall plugs - 2 pcs white caps (round/flat)  
2 pcs plastic grips

### INOX-CHROME COVER

Product Code  
**KM024 1 02 2 40**

Pcs in Box	Box Sizes	Box Weight
500	40x25x28cm	7,900 kg

2 Pcs 5x50 mm inox screws - 2 pcs wall plugs - 2 pcs chrome color abs caps (round/flat) - 2 pcs plastic grips

### STEEL - WHITE COVER

Product Code  
**KM024 0 02 1 40**

Pcs in Box	Box Sizes	Box Weight
500	40x25x28cm	7,900 kg

2 Pcs 5x50 mm steel screws - 2 pcs wall plugs - 2 pcs white caps (round/flat)  
2 pcs plastic grips

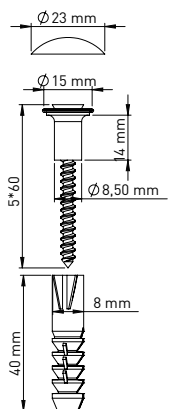
### STEEL - COVER

Product Code  
**KM024 1 02 1 40**

Pcs in Box	Box Sizes	Box Weight
500	40x25x28cm	7,900 kg

2 Pcs 5x50 mm steel screws - 2 pcs wall plugs - 2 pcs chrome color abs caps (round/flat) - 2 pcs plastic grips

## ACCESORIES FIXING KIT 5\*60 SPECIAL



### STEEL

Product Code  
**KM024 0 01 1 60**

Pcs in Box	Box Sizes	Box Weight
500	40x25x28cm	8,500 kg

2 Pcs 5x60 mm steel screws - 2 pcs wall plugs - 2 pcs chrome color abs caps (round/flat) - 2 pcs plastic grips



FLAT / CHROME



FLAT / WHITE



ROUND / CHROME



ROUND / WHITE

## ACCESORIES FIXING KIT 5\*60 SPECIAL 12 PCS SET



FLAT / CHROME



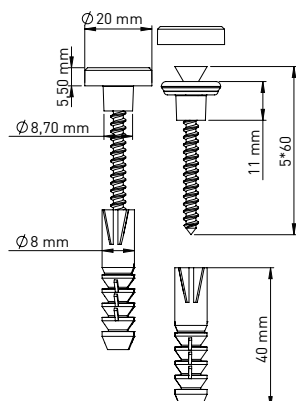
FLAT / WHITE



ROUND / CHROME



ROUND / WHITE



### STEEL

Product Code  
**KM024 0 01 2 60**

Pcs in Box	Box Sizes	Box Weight
300	41x40x40cm	25 kg

12 Pcs 5x50 mm steel screws - 12 pcs wall plugs - 12 pcs chrome color abs caps (round/flat) - 12 pcs plastic grips



## CLOSET SIDE FIXING SET - SCREW WHITE COVER

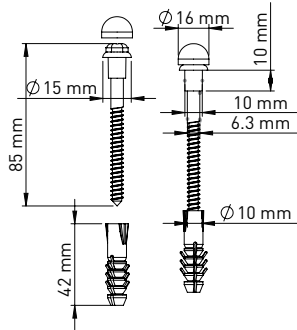
### STEEL

Product Code

**KM022 0 02 1 80**

Pcs in Box	Box Sizes	Box Weight
200	42x24,5x13cm	8,090 kg

2 Pcs 6,3x80 mm steel screws - 2 pcs wall plugs - 2 pcs white caps (round/flat)  
2 pcs plastic grips



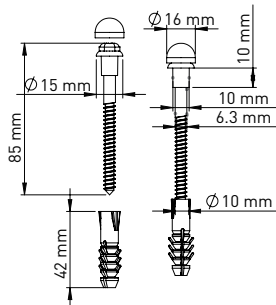
### INOX

Product Code

**KM022 0 02 2 80**

Pcs in Box	Box Sizes	Box Weight
200	42x24,5x13cm	8,048 kg

2 Pcs 6,3x80 mm inox screws - 2 pcs wall plugs - 2 pcs chrome color abs caps (round/flat) - 2 pcs plastic grips



## STEEL SCREW M6 NUT 4 PCS SET

### BRASS

Product Code  
**KM034 1 04 1 90**

Pcs in Box	Box Sizes	Box Weight
100	42x24,5x13cm	7.520 kg

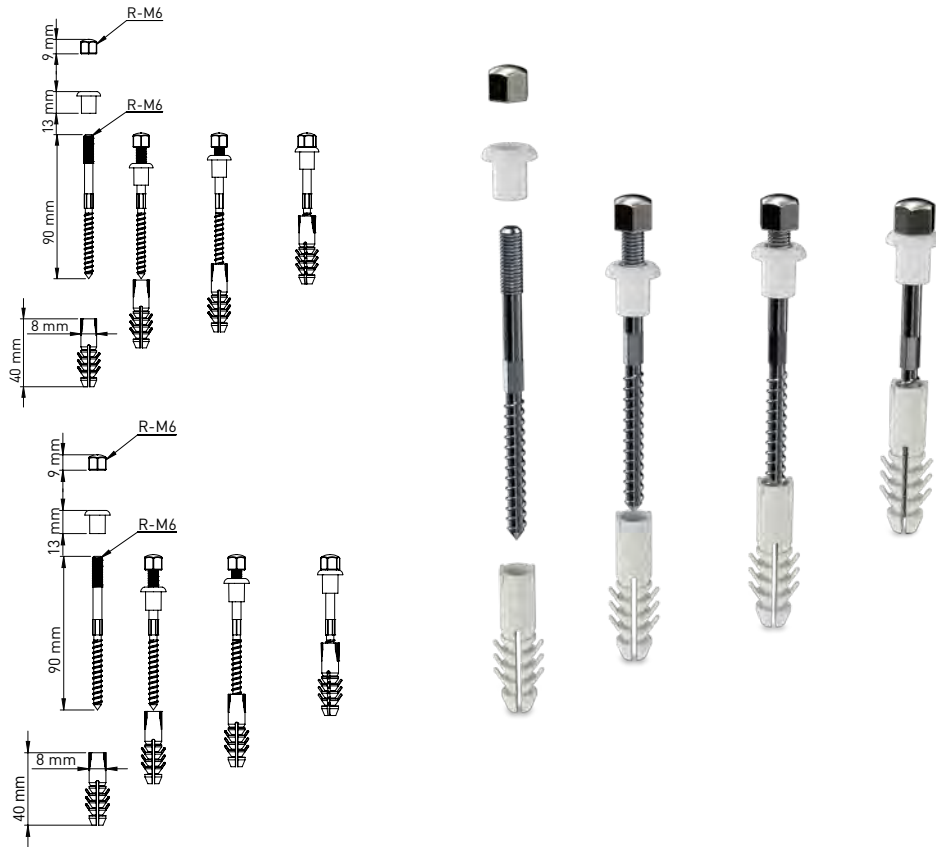
4 Pcs m6 steel screw - 4 pcs wall plugs  
4 pcs brass nuts - 4 pcs plastic grips

### STEEL

Product Code  
**KM034 1 03 1 90**

Pcs in Box	Box Sizes	Box Weight
100	42x24,5x13cm	7.520 kg

4 Pcs m6 steel screw - 4 pcs wall plugs  
4 pcs steel nuts - 4 pcs plastic grips



## STEEL SCREW M6 NUT 2 PCS SET

### BRASS

Product Code  
**KM039 1 04 1 90**

Pcs in Box	Box Sizes	Box Weight
200	42x24,5x13cm	7,920 kg

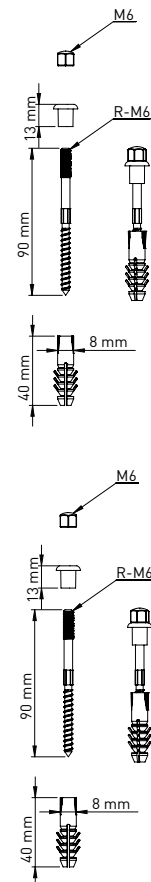
2 Pcs m6 steel screw - 2 pcs wall plugs  
2 pcs brass nuts - 2 pcs plastic grips

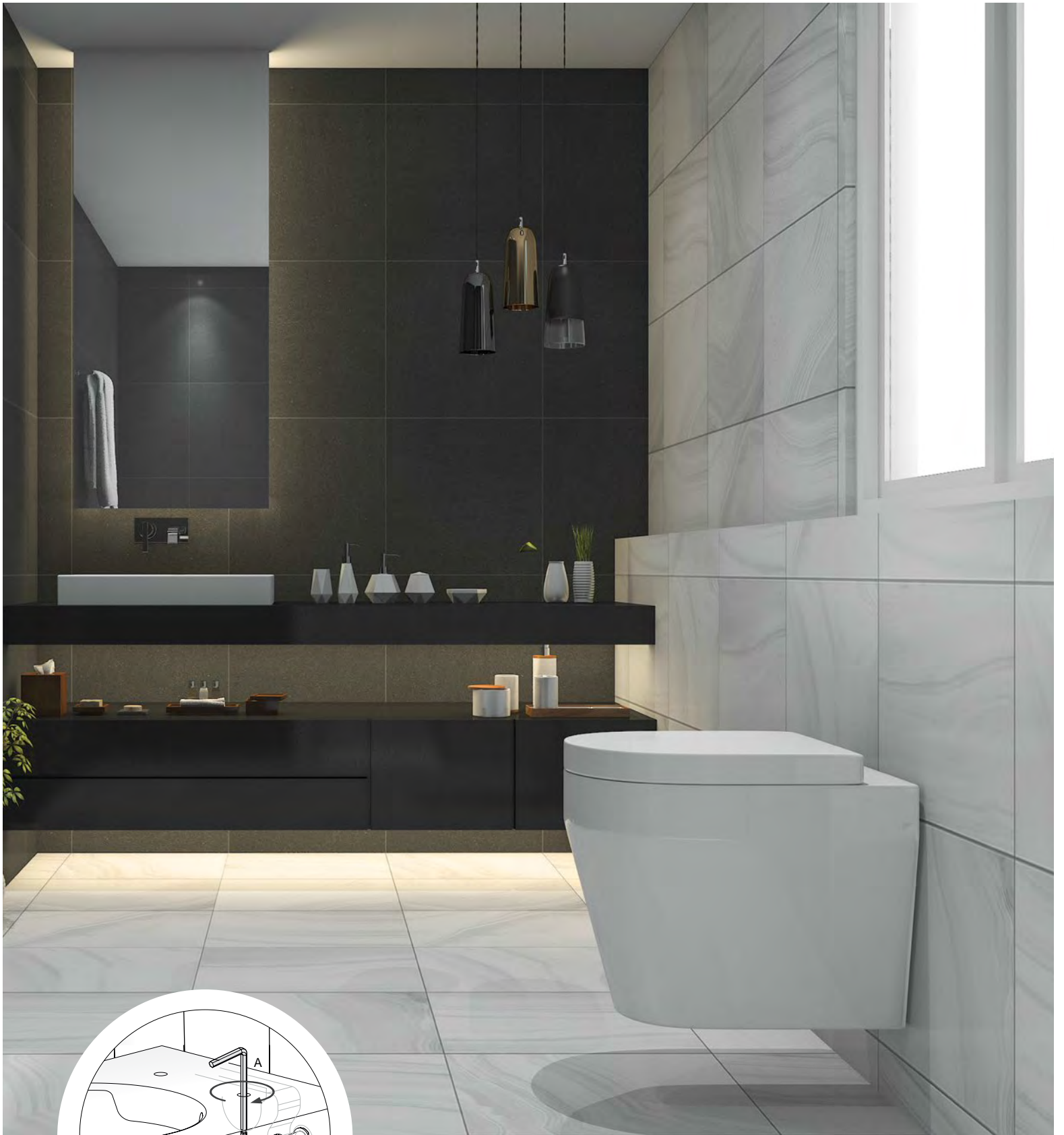
### STEEL

Product Code  
**KM039 1 03 1 90**

Pcs in Box	Box Sizes	Box Weight
200	42x24,5x13cm	7,920 kg

2 Pcs m6 steel screw - 2 pcs wall plugs  
2 pcs steel nuts - 2 pcs plastic grips



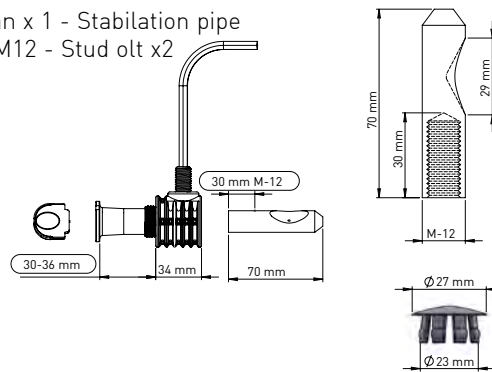


## WALLHUNG WC FIXING SET TO FIX THE WALLHUNG WC FROM THE SEAT COVER HOLES AND FROM SIDES

33 mm main body x 2 - Tightening switch x1 - Alian x 1 - Stabilation pipe (30 mm-36 mm Tolerance) x 2 - 70 mm / 30 mm M12 - Stud olt x2

Product Code  
**KM023 30 36 0**

Pcs in Box	Box Sizes	Box Weight
50	42x24,5x23cm	15,280 kg

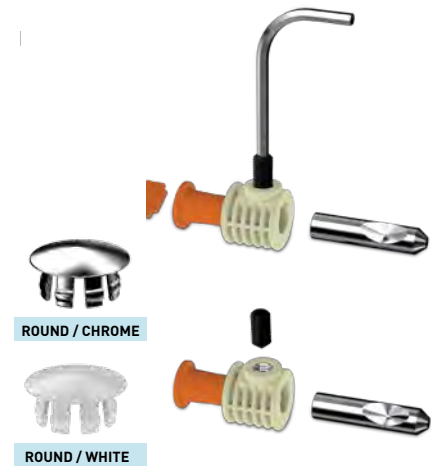
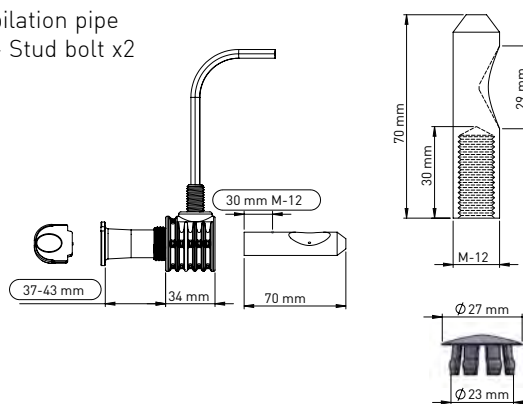


## WALLHUNG WC FIXING SET TO FIX THE WALLHUNG WC FROM THE SEAT COVER HOLES AND FROM SIDES

Main body x 2 - Tightening switch x1 - Alian x 1 - Stabilation pipe (37 mm-43 mm tolerance) x 2 - 70 mm / 30 mm M12 - Stud bolt x2

Product Code  
**KM023 37 43 0**

Pcs in Box	Box Sizes	Box Weight
50	42x24.5x23cm	16,500 kg



## WALLHUNG WC FIXING SET TO FIX THE WALLHUNG WC FROM THE SEAT COVER HOLES AND FROM SIDES

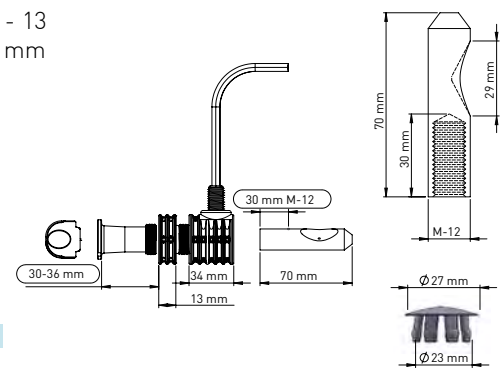
33 mm main body x 2 - Tightening switch x 1 - Alian x 1 - 13 mm Extension adaptor x 2 - Stabilation pipe (30 mm-36 mm tolerance) x 2 - 70 mm / 30 mm M12 - stud bolt x2

Product Code  
**KM023 30 36 1**

Pcs in Box	Box Sizes	Box Weight
40	42x24,5x23cm	16,900 kg

ROUND / WHITE

ROUND / CHROME



## WALLHUNG WC FIXING SET TO FIX THE WALLHUNG WC FROM THE SEAT COVER HOLES AND FROM SIDES

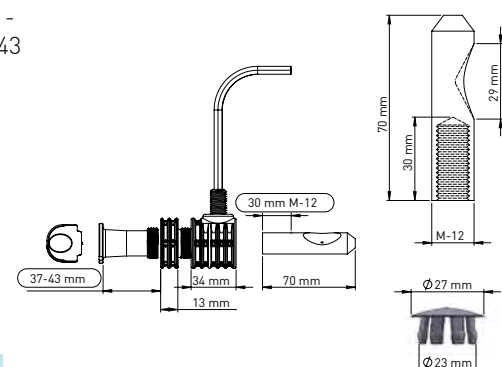
33 mm main body x 2 - Tightening switch x 1 - Alian x 1 - 13 mm Extension adaptor x 2 - Stabilation pipe (37 mm-43 mm tolerance) x 2 - 70 mm / 30 mm M12 - stud bolt x2

Product Code  
**KM023 37 43 1**

Pcs in Box	Box Sizes	Box Weight
40	42x24,5x23cm	17,500 kg

ROUND / WHITE

ROUND / CHROME

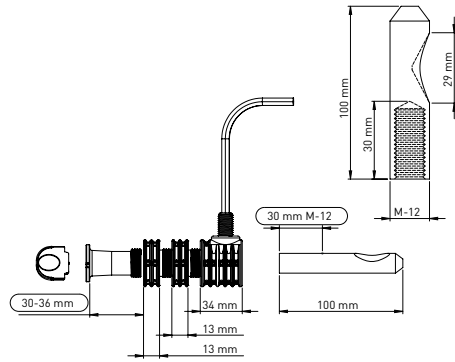


## WALLHUNG WC FIXING SET TO FIX THE WALLHUNG WC FROM THE SEAT COVER HOLES

33 mm main body x 2 - Tightening switch x 1 - Alian x 1 - 13 mm Extension adaptor x4 - Stablation pipe (30 mm - 36 mm tolerance) x 2 - 100 mm / 30 mm M12 - stud bolt x2

Product Code  
**KM023 30 36 2**

Pcs in Box	Box Sizes	Box Weight
30	42x24,5x23cm	13,400 kg

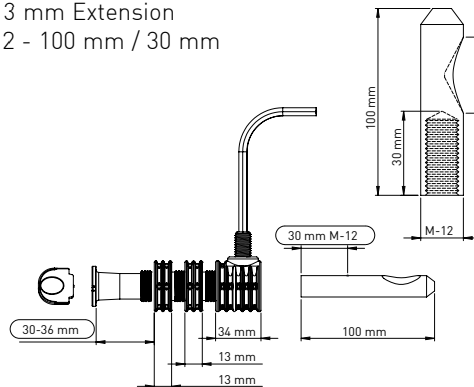


## WALLHUNG WC FIXING SET TO FIX THE WALLHUNG WC FROM THE SEAT COVER HOLES

33 mm main body x 2 - Tightening switch x 1 - Alian x 1 - 13 mm Extension adaptor x 4 - Stablation pipe (37 mm - 43 mm tolerance) x 2 - 100 mm / 30 mm m12 - Stud bolt x2

Product Code  
**KM023 37 43 2**

Pcs in Box	Box Sizes	Box Weight
30	42x24,5x23cm	13,800 kg



## WALLHUNG WC FIXING SET TO FIX THE WALLHUNG WC FROM THE SEAT COVER HOLES

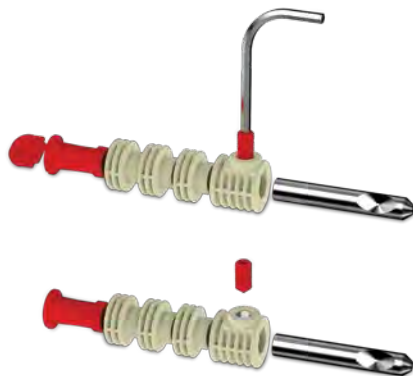
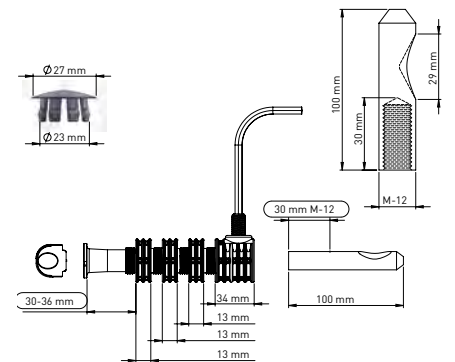
33 mm main body x 2 - Tightening switch x 1 - Alian x 1 Stablation pipe (30 mm - 36 mm tolerance) x 2 - 100 mm - 30 mm M12 Stud bolt (100 mm) x2

Product Code  
**KM023 30 36 3**

Pcs in Box	Box Sizes	Box Weight
30	42x24,5x23cm	14,000 kg

ROUND / WHITE

ROUND / CHROME

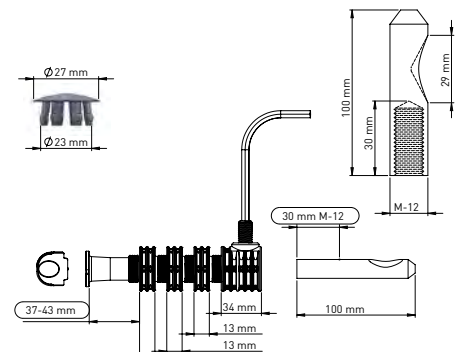


## WALLHUNG WC FIXING SET TO FIX THE WALLHUNG WC FROM THE SEAT COVER HOLES

33 mm main body x 2 - Tightening switch x 1 - Alian x 1 Stablation pipe (37 mm - 43 mm tolerance) x 2 100 mm - 30 mm m12 Stud bolt (100 mm) x2

Product Code  
**KM023 37 43 3**

Pcs in Box	Box Sizes	Box Weight
30	42x24,5x23cm	14,400 kg



## WALLHUNG WC FIXING SET TO FIX THE WALLHUNG WC FROM BOTTOM

33 mm main body x 2 - Tightening switch x 1 - Alien x 1 - Stablation pipe (30 mm - 36 mm tolerance) x 2 - 70 mm - 30 mm M12 stud bolt x 2 - 170 mm plastic pipe x 2

Product Code  
**KM023 30 36 A**

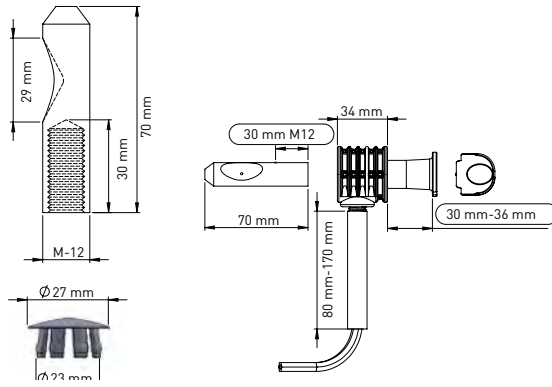
Pcs in Box	Box Sizes	Box Weight
25	42x24.5x23cm	9,190 kg



ROUND / CHROME



ROUND / WHITE



## WALLHUNG WC FIXING SET TO FIX THE WALLHUNG WC FROM BOTTOM

33 mm main body x 2 - Tightening switch x 1 - Alien x 1 Stablation pipe (37 mm - 43 mm tolerance) x 2 - 70 mm - 30 mm -M12 stud bolt x 2 - 170 mm plastic pipe x 2

Product Code  
**KM023 37 43 A**

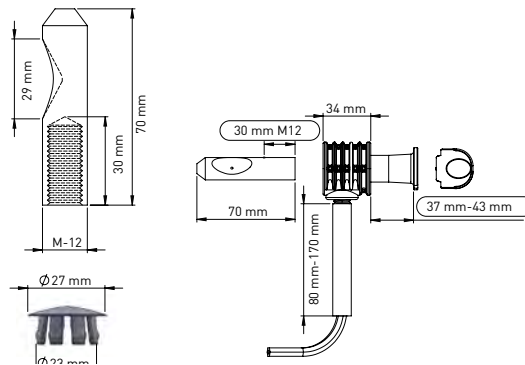
Pcs in Box	Box Sizes	Box Weight
25	42x24.5x23cm	9,600 kg



ROUND / CHROME



ROUND / WHITE



## WALLHUNG WC FIXING SET WITH SPONGE TO FIX THE WALLHUNG WC FROM THE SEAT COVER HOLES

31 mm main body with sponge (2cm-3,5cm) x 2 - 6 mm alian x 1  
Cover caps x 2 70 mm / 30 mm M12 - stud bolt x 2

Product Code  
**KM023 25 35 S**

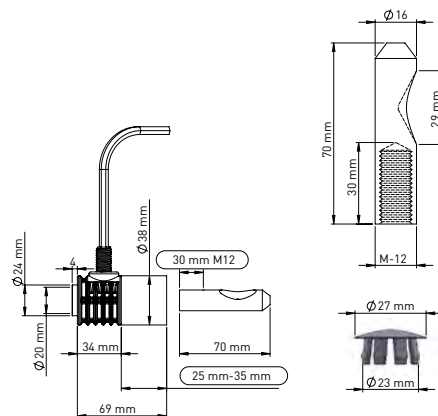
Pcs in Box	Box Sizes	Box Weight
75	42x24,5x23cm	20,400 kg



ROUND / CHROME



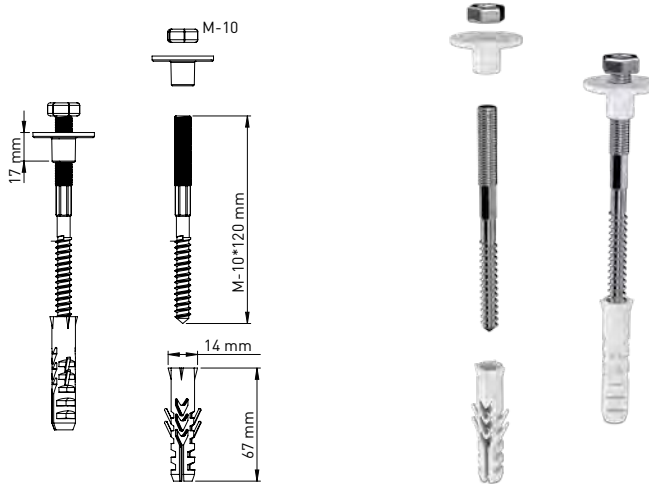
ROUND / WHITE



### LAVATORY FIXING KIT

Product Code  
**LM001 010 120**

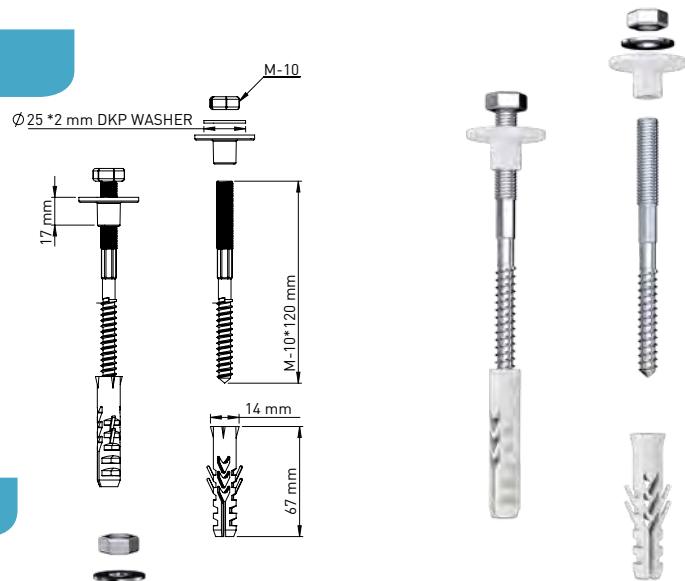
Pcs in Box	Box Sizes	Box Weight
100	42x24,5x16cm	13,750 kg



### LAVATORY FIXING SET WITH WASHER

Product Code  
**LM002 010 120**

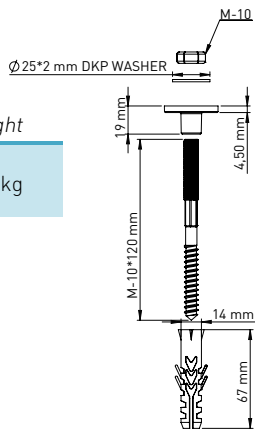
Pcs in Box	Box Sizes	Box Weight
100	42x24,5x16cm	13,750 kg



### LAVATORY FIXING KIT WITH WASHER EXTRA

Product Code  
**LM004 010 120**

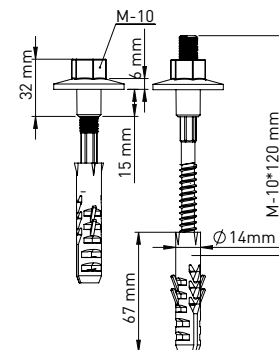
Pcs in Box	Box Sizes	Box Weight
100	42x24,5x16cm	14,730 kg



### LAVATORY FIXING SET WITH PLASTIC NUT IN PA6

Product Code  
**LM005 010 120**

Pcs in Box	Box Sizes	Box Weight
75	42x24,5x16cm	12,990 kg



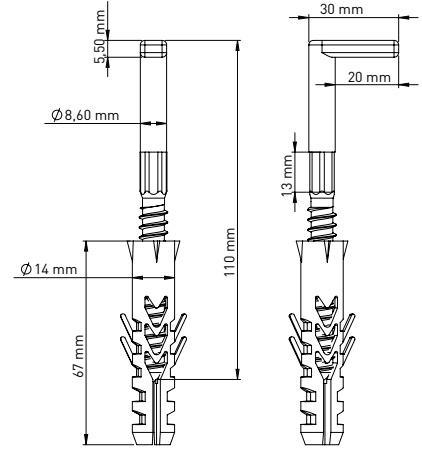


## WATER HEATER FIXING SET



Product Code  
**LM017 000 090**

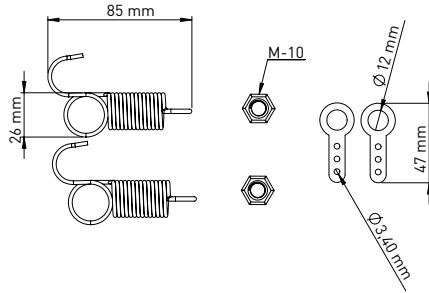
Pcs in Box	Box Sizes	Box Weight
100	42x24,5x13cm	13,44 kg



## SEMI PEDESTAL FIXING SET WITH SWITCH

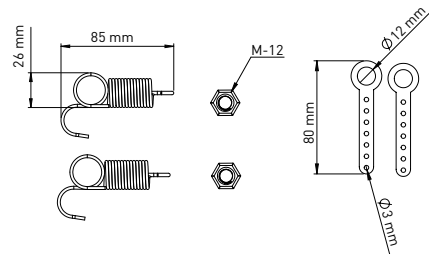
Product Code  
**LM011 030 046**

Pcs in Box	Box Sizes	Box Weight
125	42x24,5x16cm	11,920 kg



Product Code  
**LM011 030 074**

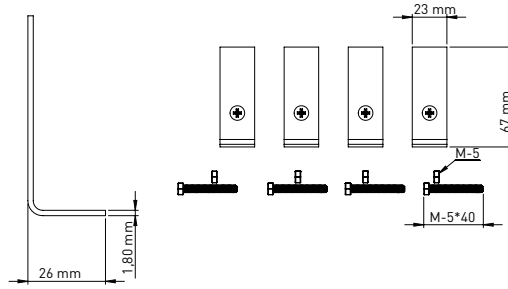
Pcs in Box	Box Sizes	Box Weight
125	42x24,5x16cm	12,740 kg



## UNDER COUNTER WASHBASIN FIXING KIT

Product Code  
**LM007**

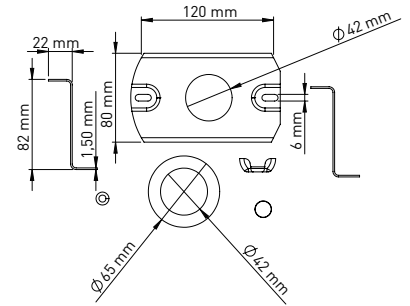
Pcs in Box	Box Sizes	Box Weight
200	40x25x28cm	31,560 kg



## SIPHONIC INOX ASSEMBLY SET

Product Code  
**LM008**

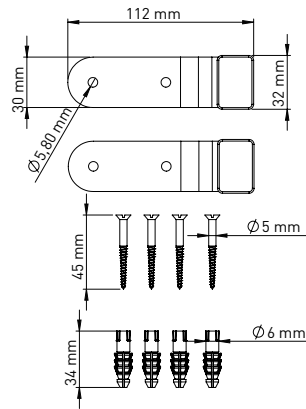
Pcs in Box	Box Sizes	Box Weight
100	40x25x28cm	23,540 kg



## LAVATORY AND URINAL PARTITION FIXING KIT

Product Code  
**TM0032**

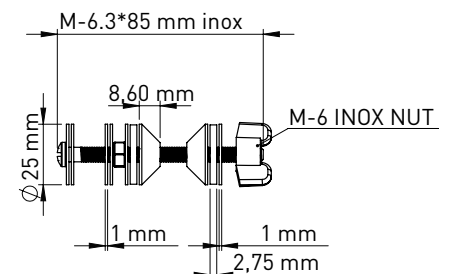
Pcs in Box	Box Sizes	Box Weight
100	42x24,5x16cm	11,300 kg



## RESERVOIR FIXING KIT

Product Code  
**TM0033**

Pcs in Box	Box Sizes	Box Weight
250	40x25x28cm	19,680 kg

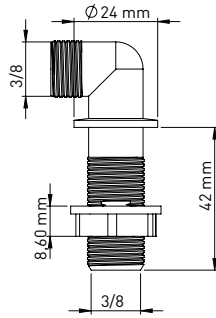


## WATER INLET ELBOW SHORT 3/8

42 MM

Product Code  
**SG001**

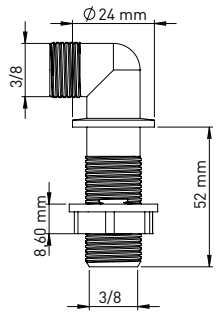
Pcs in Box	Box Sizes	Box Weight
1500	41x40x40cm	15,600 kg



52 MM

Product Code  
**SG002**

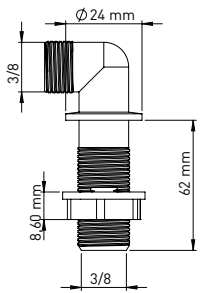
Pcs in Box	Box Sizes	Box Weight
1250	41x40x40cm	15,360 kg



62 MM

Product Code  
**SG003**

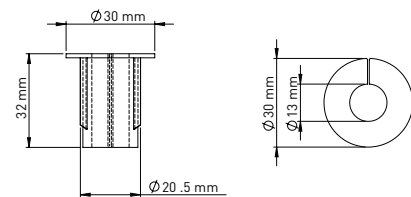
Pcs in Box	Box Sizes	Box Weight
1000	41x40x40cm	15,650 kg



## HOSE PASS TOOL

Product Code  
**SG004**

Pcs in Box	Box Sizes	Box Weight
1250	40x25x28cm	5,735 kg



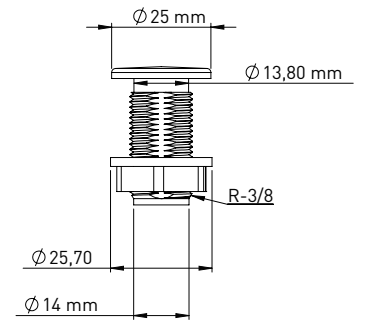
**PLUG WITH SEAL 25\*35**



**CHROME**

Product Code  
**DT001 025 035**

Pcs in Box	Box Sizes	Box Weight
2500	41x40x40cm	15,780 kg



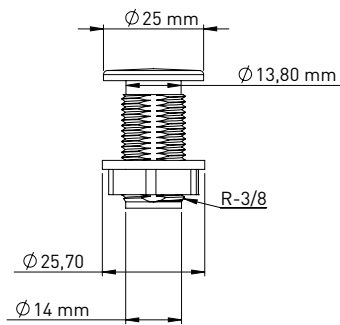
**PLASTIC**

SCREW PLUG  
White plastic screw plug

Product Code  
**DT001 025 035**

Pcs in Box	Box Sizes	Box Weight
2500	41x40x40cm	16,160 kg

**Material**  
ABS



**PLUG WITH SEAL**

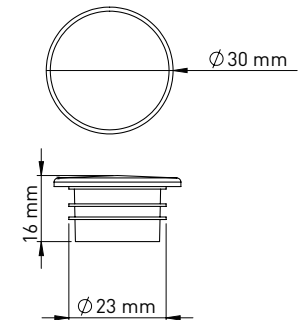
**CHROME**

PLUG WITH SEAL  
Chrome plated plastic plug with seal

Product Code  
**DT003 030 016**

Pcs in Box	Box Sizes	Box Weight
5000	41x40x40cm	17,840 kg

**Material**  
ABS + EVA



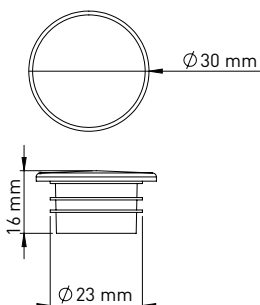
**WHITE**

PLUG WITH SEAL  
White plastic plug with seal

Product Code  
**DT003 030 016**

Pcs in Box	Box Sizes	Box Weight
5000	41x40x40cm	15,800 kg

**Material**  
ABS + EVA



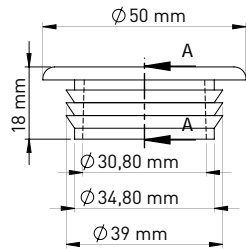
## SIDE HOLE PLUG-RUBBER

SIDE HOLE PLUG-RUBBER. Closes water inlet holes of back to wall WC's. Especially tolerates large-scale holes.

Product Code  
**DT004 050 000**

Pcs in Box	Box Sizes	Box Weight
1500	41x40x40cm	19,240 kg

Material  
TPE





# SELF CLEANING PIPES

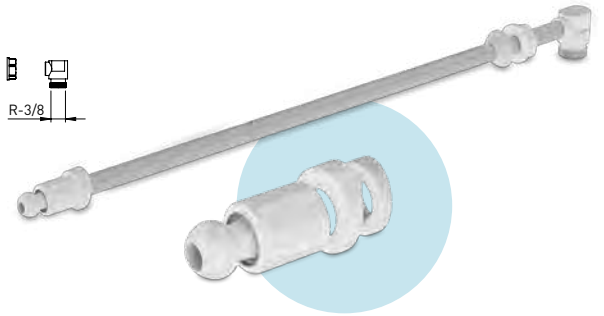
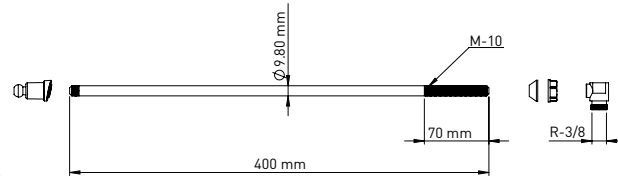
60-75

## SELF CLEANING PIPE WITH PLASTIC NOZZLE

### 400 MM

Product Code  
**TBPVC2A400**

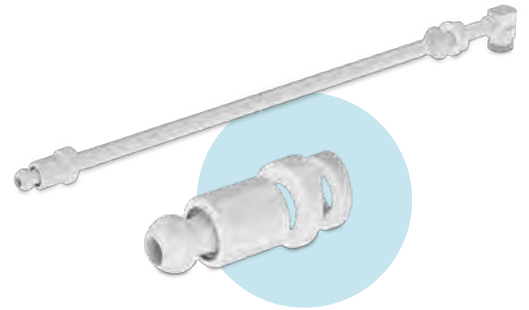
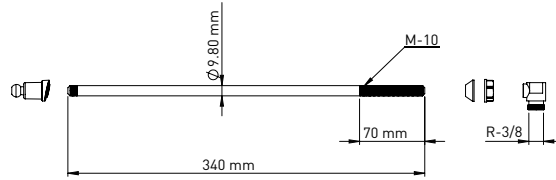
Pcs in Box	Box Sizes	Box Weight
300	52x26x40cm	12,220 kg



### 340 MM

Product Code  
**TBPLS2A340**

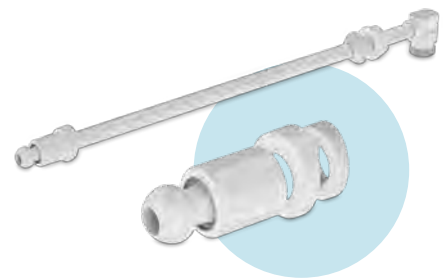
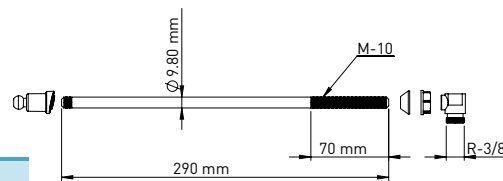
Pcs in Box	Box Sizes	Box Weight
400	41x40x40cm	12,040 kg



### 290 MM

Product Code  
**TBPLS2A290**

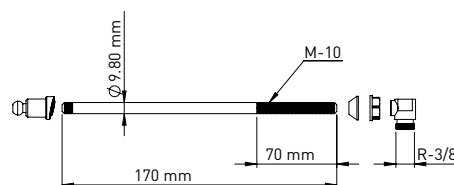
Pcs in Box	Box Sizes	Box Weight
400	41x40x40cm	11,420 kg



### 170 MM

Product Code  
**TBPLS2A170**

Pcs in Box	Box Sizes	Box Weight
650	41x40x40cm	13,435 kg





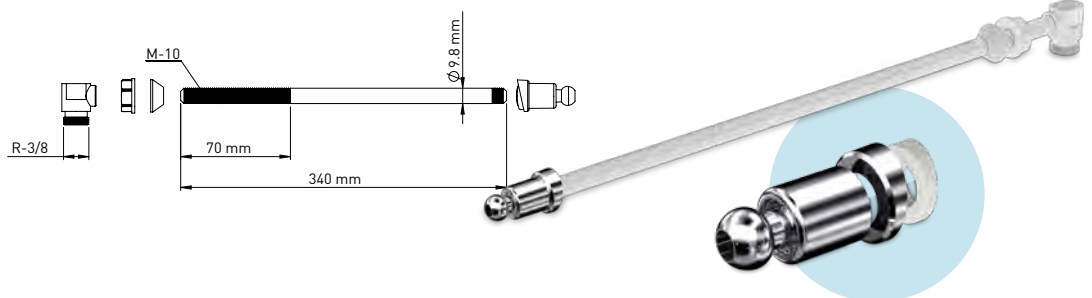


## SELF CLEANING PIPE WITH ABS CHROME NOZZLE

340 MM

Product Code  
**TBPLS4A340**

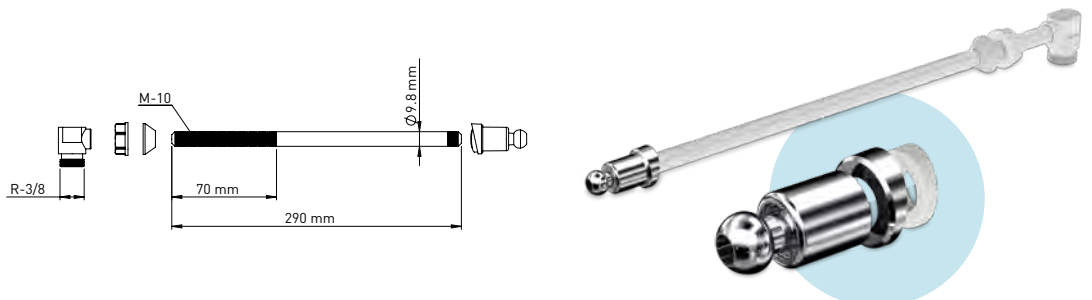
Pcs in Box	Box Sizes	Box Weight
400	41x40x40cm	12,850 kg



290 MM

Product Code  
**TBPLS4A290**

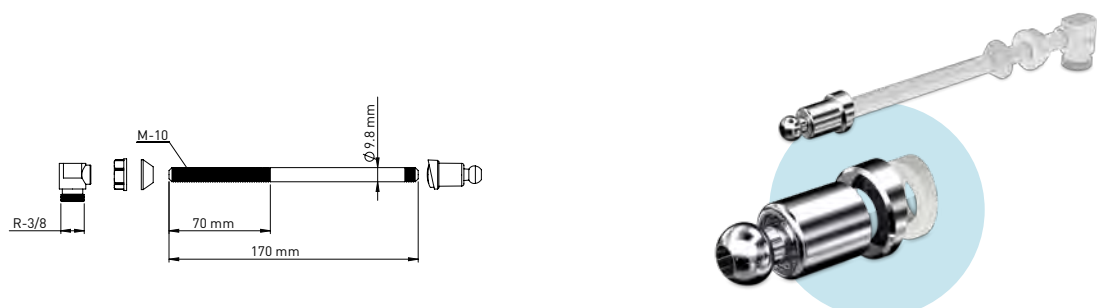
Pcs in Box	Box Sizes	Box Weight
400	41x40x40cm	11,975 kg



170 MM

Product Code  
**TBPLS4A170**

Pcs in Box	Box Sizes	Box Weight
500	41x40x40cm	11,130 kg

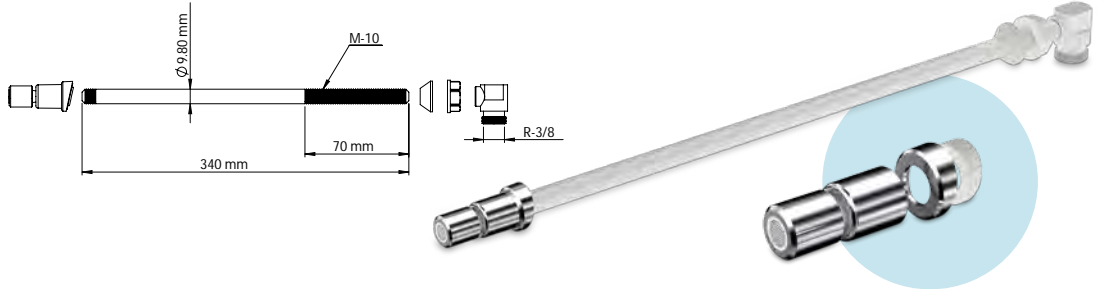


## SELF CLEANING PIPE WITH PERLATOR NOZZLE

### 340 MM

Product Code  
**TBPLS6A340**

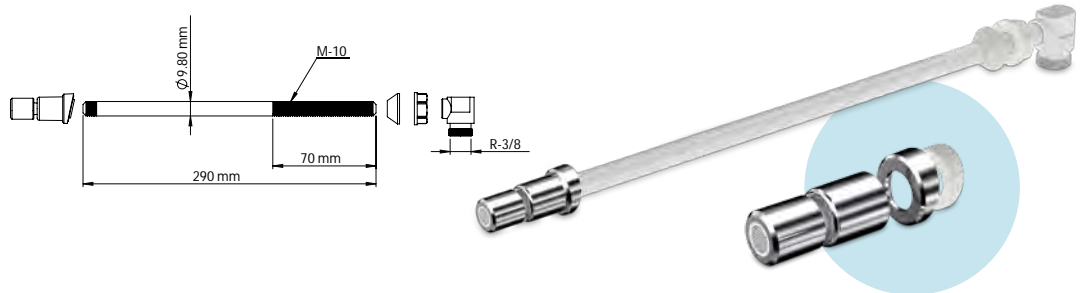
Pcs in Box	Box Sizes	Box Weight
350	41x40x40cm	13,650 kg



### 290 MM

Product Code  
**TBPLS6A290**

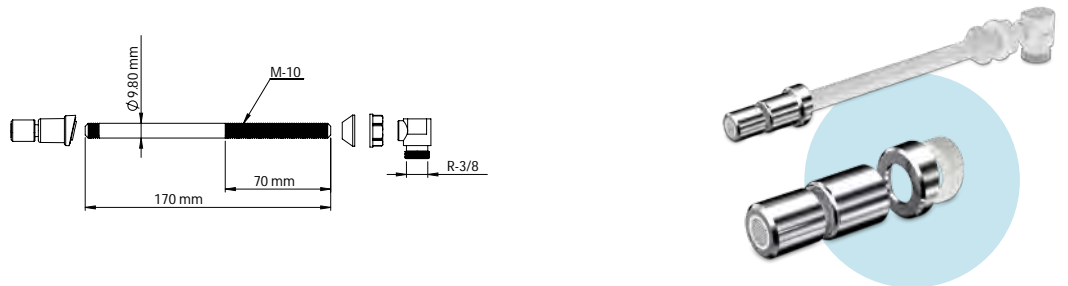
Pcs in Box	Box Sizes	Box Weight
350	41x40x40cm	14,730 kg



### 170 MM

Product Code  
**TBPLS6A170**

Pcs in Box	Box Sizes	Box Weight
500	41x40x40cm	15,380 kg

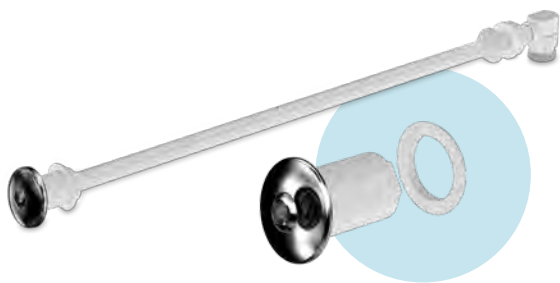
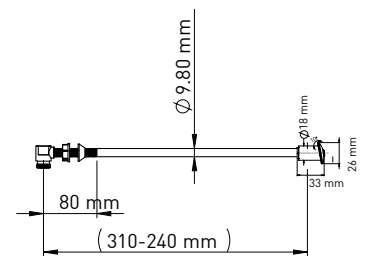


## SELF CLEANING PIPE WITH CIRCULAR STAINLESS STEEL (316 L) 10 DEGREES NOZZLE

### 310 MM

Product Code  
**TBPVC10A310**

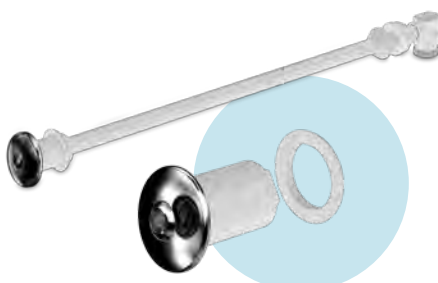
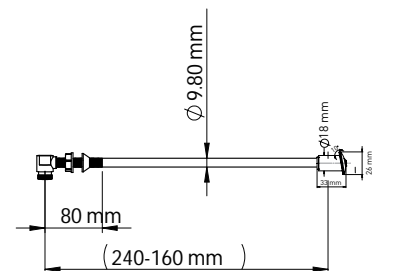
Pcs in Box	Box Sizes	Box Weight
350	41x40x40cm	17 kg



### 240 MM

Product Code  
**TBPVC10A240**

Pcs in Box	Box Sizes	Box Weight
400	41x40x40cm	19 kg

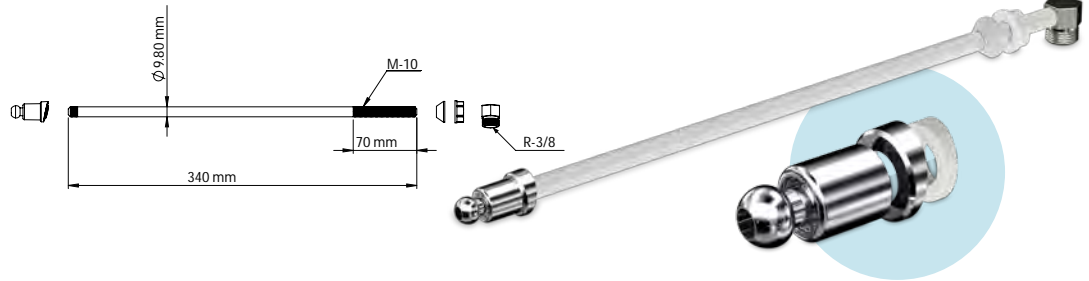


## SELF CLEANING PIPE WITH ABS CHROME NOZZLE / BRASS ELBOW

340 MM

Product Code  
**TBPLS4B340**

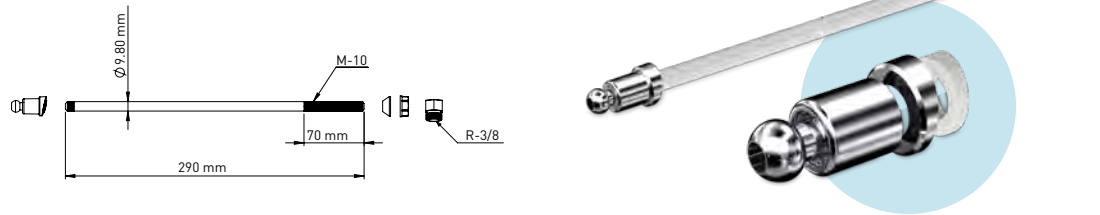
Pcs in Box	Box Sizes	Box Weight
350	41x40x40cm	16,520 kg



290 MM

Product Code  
**TBPLS4B290**

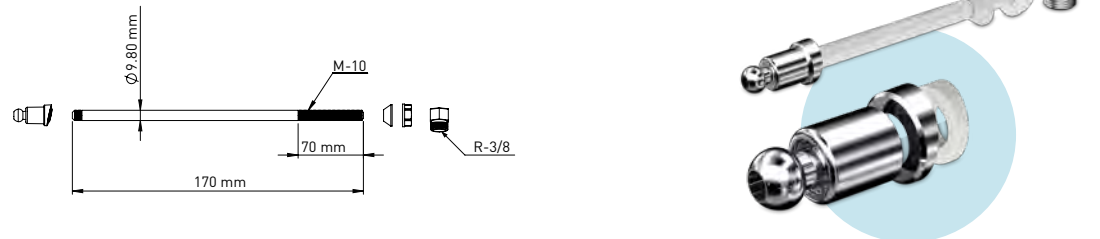
Pcs in Box	Box Sizes	Box Weight
350	41x40x40cm	15,920 kg



170 MM

Product Code  
**TBPLS4B170**

Pcs in Box	Box Sizes	Box Weight
500	41x40x40cm	19,100 kg

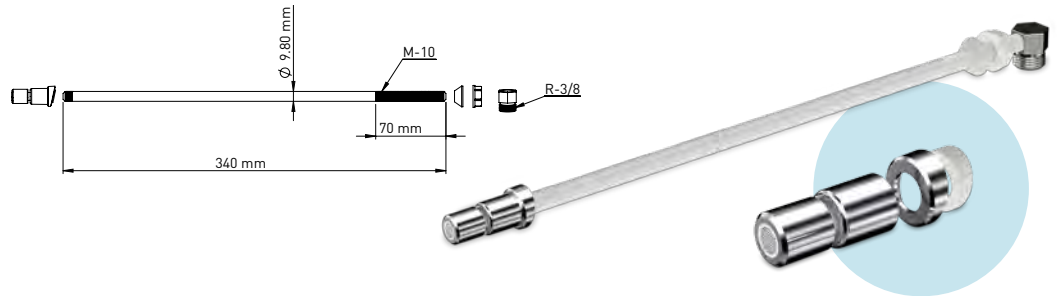


## SELF CLEANING PIPE WITH ABS CHROME NOZZLE / BRASS ELBOW

### 340 MM

Product Code  
**TBPLS6B340**

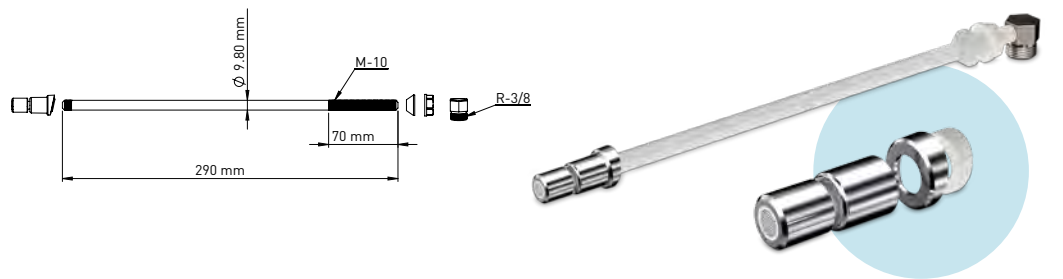
Pcs in Box	Box Sizes	Box Weight
350	41x40x40cm	19,420 kg



### 290 MM

Product Code  
**TBPLS6B290**

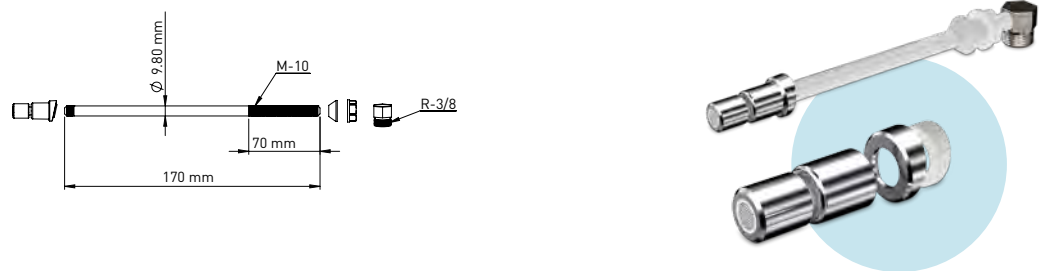
Pcs in Box	Box Sizes	Box Weight
350	41x40x40cm	20,120 kg



### 170 MM

Product Code  
**TBPLS6B170**

Pcs in Box	Box Sizes	Box Weight
500	41x40x40cm	24,120 kg

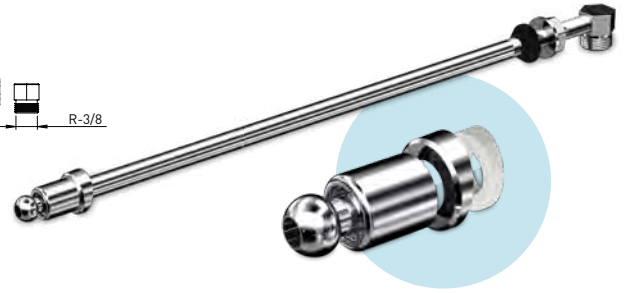
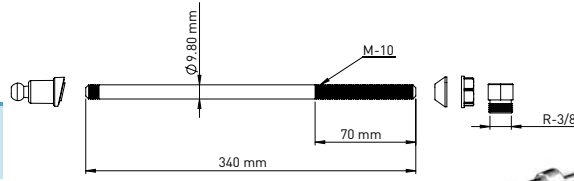


## METAL SELF CLEANING PIPE WITH ABS CHROME NOZZLE / BRASS ELBOW

340 MM

Product Code  
**TBKRM4B340**

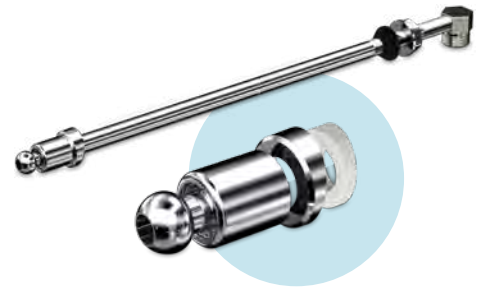
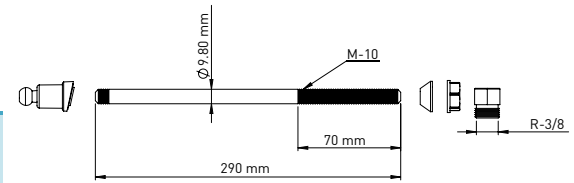
Pcs in Box	Box Sizes	Box Weight
350	41x40x40cm	21,105 kg



290 MM

Product Code  
**TBKRM4B290**

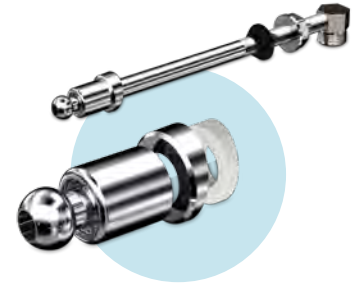
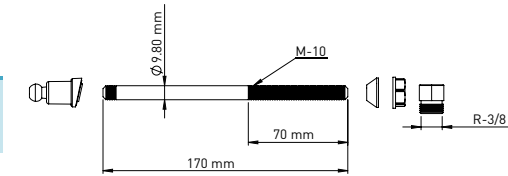
Pcs in Box	Box Sizes	Box Weight
350	41x40x40cm	19,420 kg



170 MM

Product Code  
**TBKRM4B170**

Pcs in Box	Box Sizes	Box Weight
500	41x40x40cm	21,440 kg

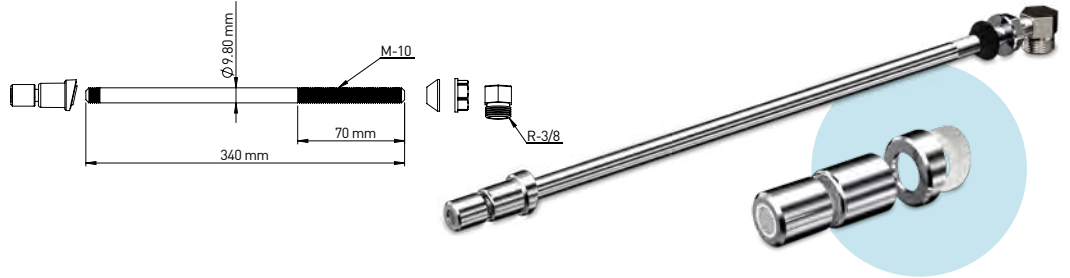


## METAL SELF CLEANING PIPE WITH PERLATOR NOZZLE / BRASS ELBOW

### 340 MM

Product Code  
**TBKRM6B340**

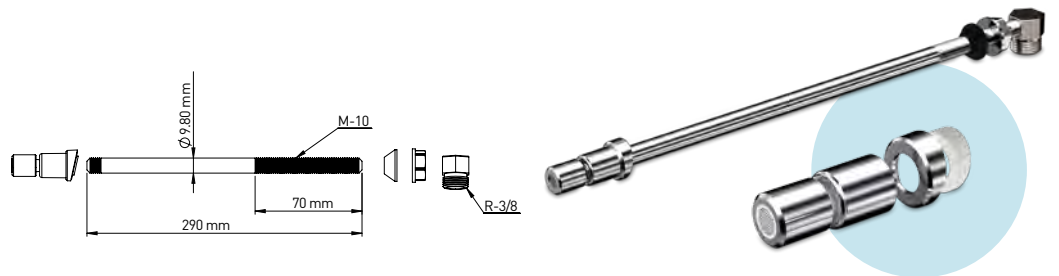
Pcs in Box	Box Sizes	Box Weight
350	41x40x40cm	23,545 kg



### 290 MM

Product Code  
**TBKRM6B290**

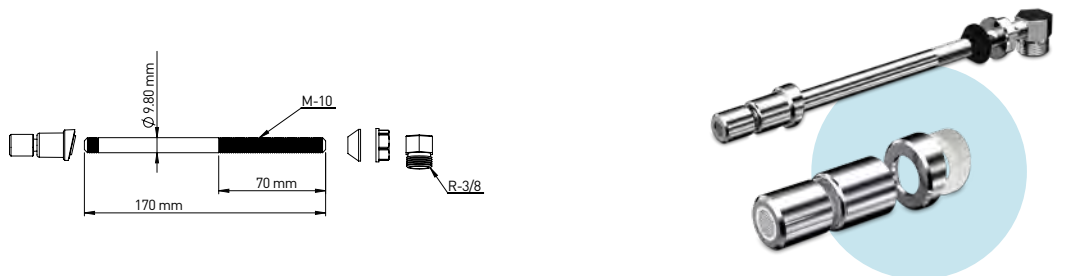
Pcs in Box	Box Sizes	Box Weight
350	41x40x40cm	22,080 kg



### 170 MM

Product Code  
**TBKRM6B170**

Pcs in Box	Box Sizes	Box Weight
500	41x40x40cm	25,050 kg

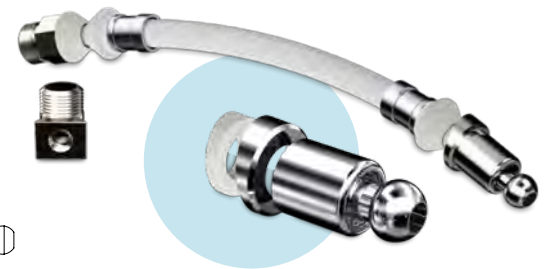
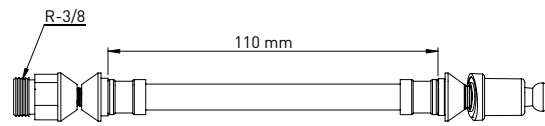




### SELF CLEANING PIPE WITH CHROME NOZZLE 110 MM

Product Code  
**TBASM4F110**

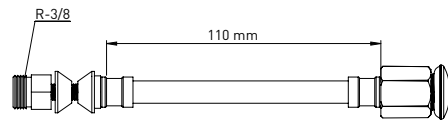
Pcs in Box	Box Sizes	Box Weight
100	42x24,5x15cm	7,410 kg



### SELF CLEANING PIPE WITH CIRCULAR STAINLESS STEEL (316 L) NOZZLE 110 MM

Product Code  
**TBASM8F110T**

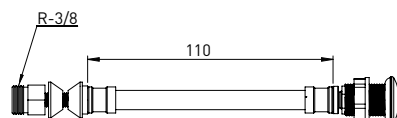
Pcs in Box	Box Sizes	Box Weight
100	42x24,5x15cm	8 kg



### SELF CLEANING PIPE WITH CIRCULAR STAINLESS STEEL (316 L) NOZZLE 110 MM

Product Code  
**TBASM8F110**

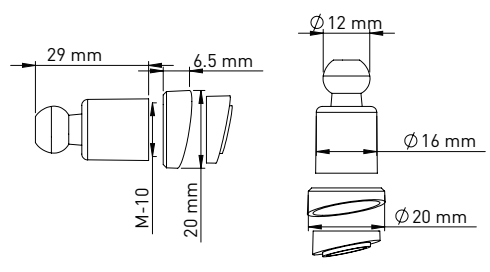
Pcs in Box	Box Sizes	Box Weight
100	42x24,5x15cm	7,910 kg



## PLASTIC NOZZLE SET TYPE 2

Product Code  
**ZZ013**

Pcs in Box	Box Sizes	Box Weight
1000	40x25x28cm	6,320 kg

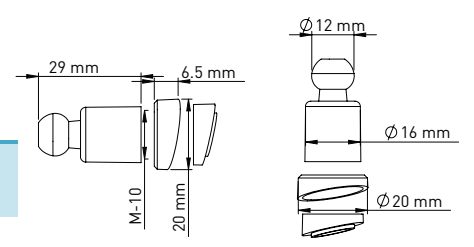


## CHROME NOZZLE SET TYPE 4



Product Code  
**ZZ012**

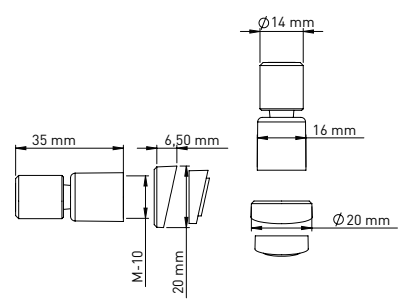
Pcs in Box	Box Sizes	Box Weight
1000	40x25x28cm	7,420 kg



## PERLATOR NOZZLE SET TYPE 6

Product Code  
**ZZ011**

Pcs in Box	Box Sizes	Box Weight
1000	40x25x28cm	15,580 kg



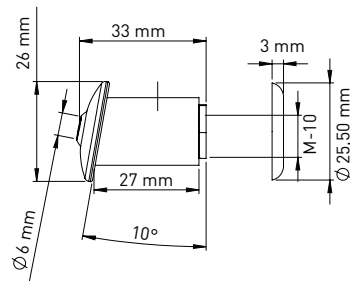
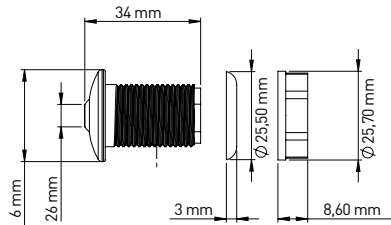


## STAINLESS STEEL (316 L) CIRCULAR NOZZLE

### 0 DEGREE

Product Code  
**ZZ033**

Pcs in Box	Box Sizes	Box Weight
1000	40x25x28cm	13,100 kg



### 10 DEGREES

Product Code  
**ZZ034**

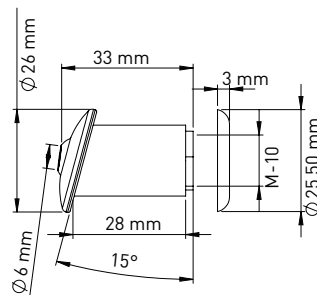
Pcs in Box	Box Sizes	Box Weight
1000	40x25x28cm	13,100 kg



### 15 DEGREES

Product Code  
**ZZ035**

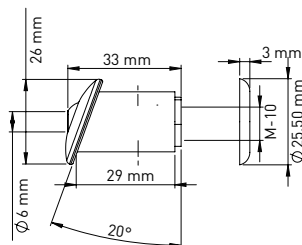
Pcs in Box	Box Sizes	Box Weight
1000	40x25x28cm	13,100 kg



### 20 DEGREES

Product Code  
**ZZ036**

Pcs in Box	Box Sizes	Box Weight
1000	40x25x28cm	13,100 kg



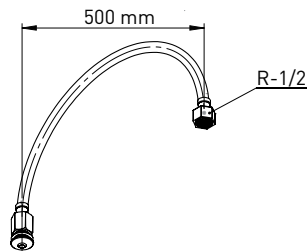


**SELF CLEANING PIPE WITH CIRCULAR STAINLESS STEEL (316 L) NOZZLE THREADED 1/2 FEMALE**

**500 MM**

Product Code  
**STF-NS 1/2 500 MM**

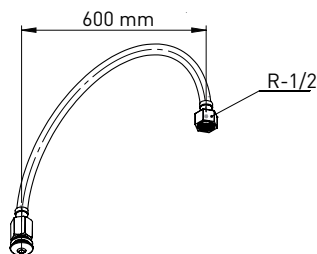
Pcs in Box	Box Sizes	Box Weight
50	41x25x28cm	5,220 kg



**600 MM**

Product Code  
**STF-NS 1/2 600 MM**

Pcs in Box	Box Sizes	Box Weight
50	41x25x28cm	5,680 kg



## SELF CLEANING PIPE (ELBOW) WITH CIRCULAR STAINLESS STEEL (316 L) NOZZLE THREADED 1/2 FEMALE

500 MM

Product Code

**STF-NE 1/2 500 MM**

Pcs in Box

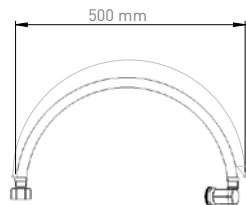
Box Sizes

Box Weight

50

41x25x28cm

5,540 kg



600 MM

Product Code

**STF-NE 1/2 600 MM**

Pcs in Box

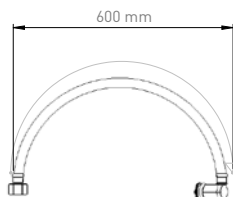
Box Sizes

Box Weight

50

41x25x28cm

6 kg



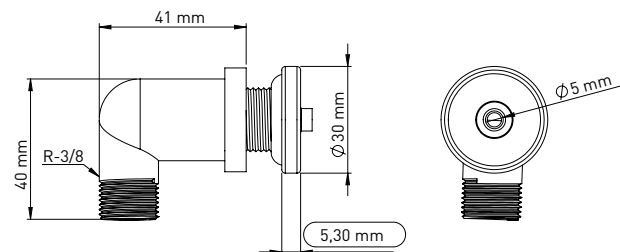
## SELF CLEANING NOZZLE WITH CIRCULAR STAINLESS STEEL (316 L)



THREADED 3/8 MALE CONNECTION PIECE

Product Code

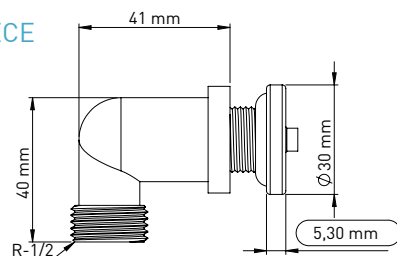
**STF-EN 3/8**



THREADED 1/2 MALE CONNECTION PIECE

Product Code

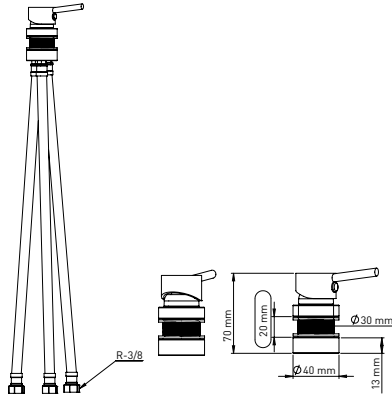
**STF-EN 1/2**



**HOT AND COLD WATER BUILT-IN CLOSET MIXER  
(LIMITER CARTRIDGE FOR MAX 40) SIDE FIXING**

Product Code  
**BTOS1010**

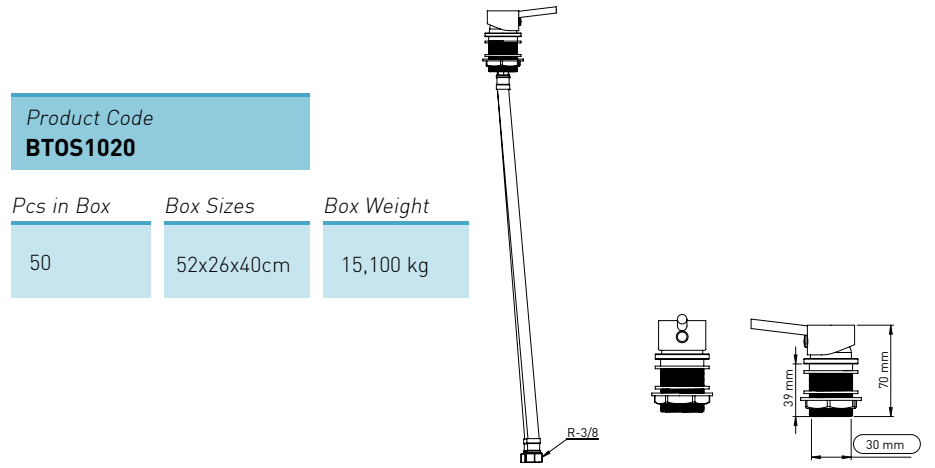
Pcs in Box	Box Sizes	Box Weight
50	52x26x40cm	14,600 kg



**BUILT-IN CLOSET MIXER WITH COLD  
WATER CARTRIDGE SIDE FIXING**

Product Code  
**BTOS1020**

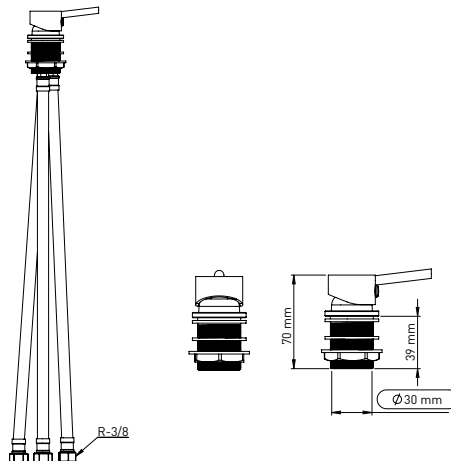
Pcs in Box	Box Sizes	Box Weight
50	52x26x40cm	15,100 kg



**HOT AND COLD WATER BUILT-IN CLOSET  
MIXER (LIMITER CARTRIDGE FOR MAX 40)**

Product Code  
**BTAS1010**

Pcs in Box	Box Sizes	Box Weight
50	52x26x40cm	14,600 kg

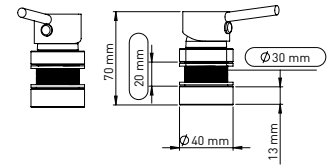
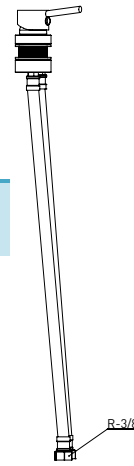


## BUILT-IN CLOSET MIXER WITH COLD WATER CARTRIDGE



Product Code  
**BTAS1020**

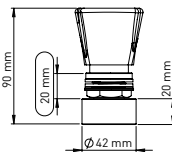
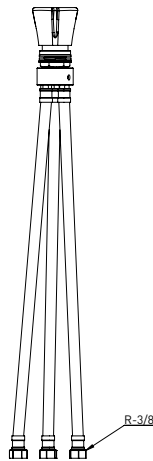
Pcs in Box	Box Sizes	Box Weight
50	52x26x40cm	15,100 kg



## HOT AND COLD WATER BUILT-IN CLOSET MIXER (LIMITER CARTRIDGE FOR MAX 40)

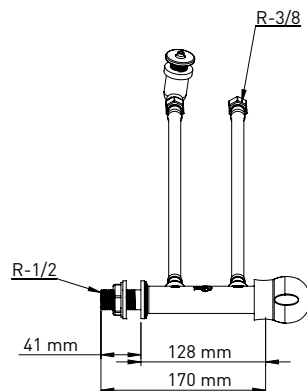
Product Code  
**BT2010**

Pcs in Box	Box Sizes	Box Weight
50	52x26x40cm	28,600 kg



## COLLECTOR FOR CISTERN AND SELF CLEANING PIPE

Product Code  
**BT3020**







**SHUT-OFFS**

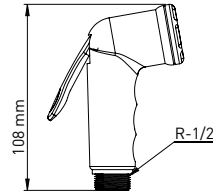
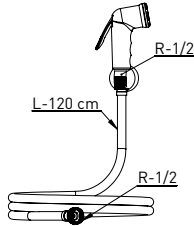
**76-79**

## SHUT-OFF TWISTFREE 120 CM WHITE FLEXIBLE HOSE

PP WHITE - WHITE BRACKET

Product Code  
**SHUT-OFF 1 5 10**

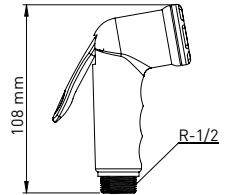
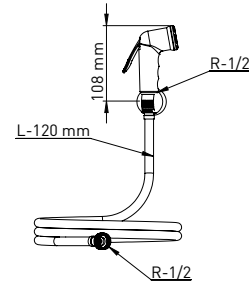
Pcs in Box	Box Sizes	Box Weight
24	36x32x41cm	9 kg



PP WHITE-CHROME - CHROME BRACKET

Product Code  
**SHUT-OFF 1 3 10**

Pcs in Box	Box Sizes	Box Weight
24	36x32x41cm	8,190 kg

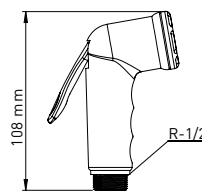
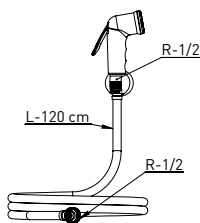


## SHUT-OFF TWISTFREE 100-120 CM STAINLESS FLEXIBLE HOSE, CHROME BRACKET

PP WHITE-CHROME

Product Code  
**SHUT-OFF 1 3 30**

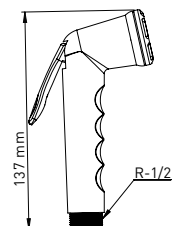
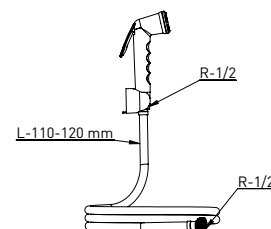
Pcs in Box	Box Sizes	Box Weight
24	36x32x41cm	8,19 kg



ABS-CHROME

Product Code  
**SHUT-OFF 3 3 30**

Pcs in Box	Box Sizes	Box Weight
24	36x32x41cm	8,770 kg



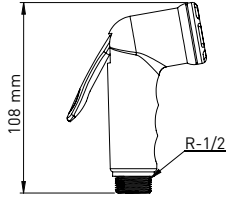


## SHUT OFF HAND SHOWER

### WHITE GREY

Product Code  
**SHUT-OFF 1 5 00**

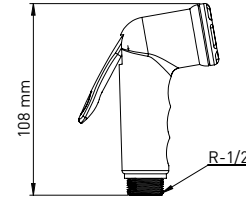
Pcs in Box	Box Sizes	Box Weight
120	36x32x41cm	14,820 kg



### WHITE CHROME

Product Code  
**SHUT-OFF 1 3 00**

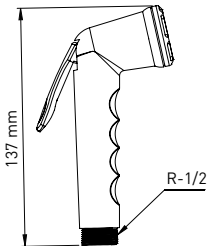
Pcs in Box	Box Sizes	Box Weight
120	36x32x41cm	14 kg



### COMPLETE CHROME

Product Code  
**SHUT-OFF 3 3 00**

Pcs in Box	Box Sizes	Box Weight
120	36x32x41cm	11,400 kg







# SEAT COVERS

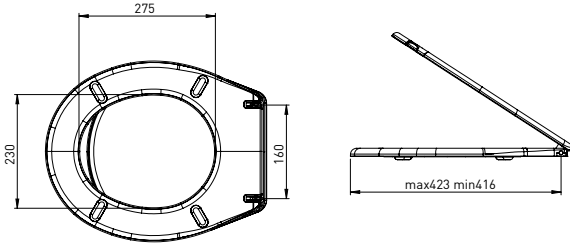
80-85

## STANDART SEAT COVER - WHITE

Product Code  
**TM2010**

Pcs in Box	Box Sizes	Box Weight
12	45,5x38x37cm	9 kg

**Material**  
PP

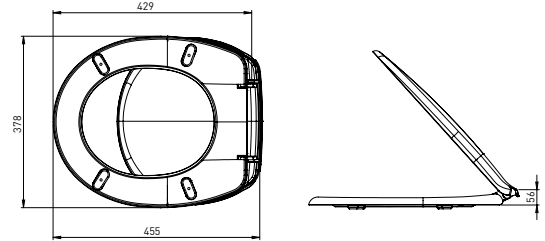


## AKDENİZ SEAT COVER PP- WHITE

Product Code  
**TM2020**

Pcs in Box	Box Sizes	Box Weight
10	54x38,5x47cm	15,620 kg

**Material**  
PP

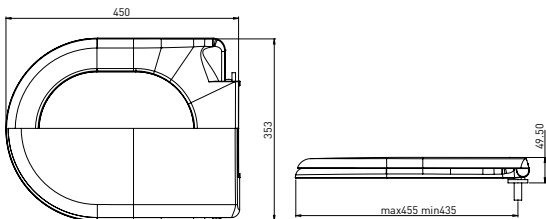


## GALA SEAT COVER PLASTIC - WHITE

Product Code  
**TM2030**

Pcs in Box	Box Sizes	Box Weight
10	54x38,5x46cm	18,800 kg

**Material**  
PP

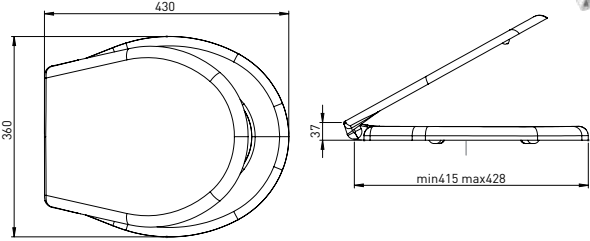


## KELEBEK PLASTIC HINGES SEAT COVER MELAMINE

Product Code  
**TM2062**

Pcs in Box	Box Sizes	Box Weight
10	54x38,5x47cm	19 kg

**Material**  
MELAMINE

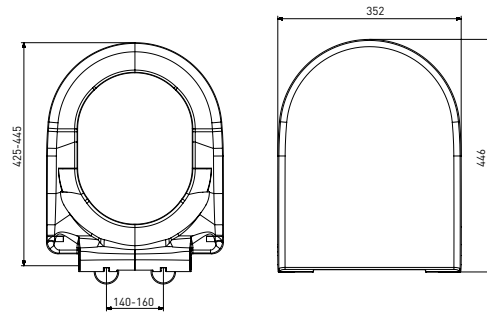


## SMOOTH SILENCE CLOSE SEAT COVER

Product Code  
**TM2066**

Pcs in Box	Box Sizes	Box Weight
10	54x37x47cm	24,500 kg

**Material**  
DUROPLAST

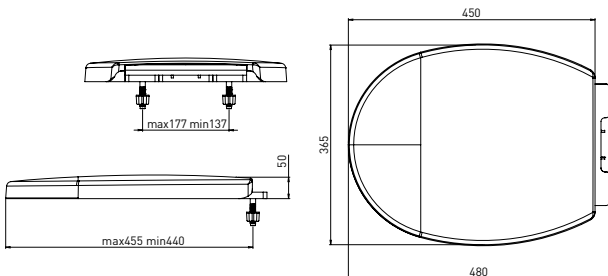


## CLEVER SILENCE CLOSE SEAT COVER

Product Code  
**TM2070**

Pcs in Box	Box Sizes	Box Weight
10	55x38,5x50,5cm	16 kg

**Material**  
PP



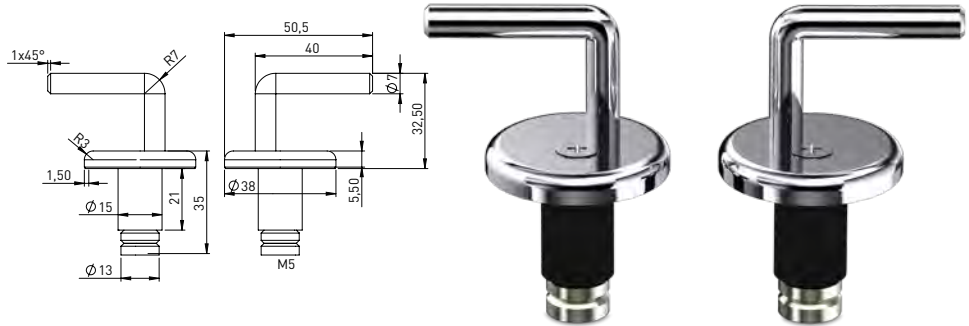
## STAINLESS STEEL HINGES FOR SEAT COVERS

### FIXING FROM ABOVE

Product Code  
**TM9010**

Pcs in Box	Box Sizes	Box Weight
250	40x25x28cm	25,670 kg

**Material**  
STAINLESS STEEL

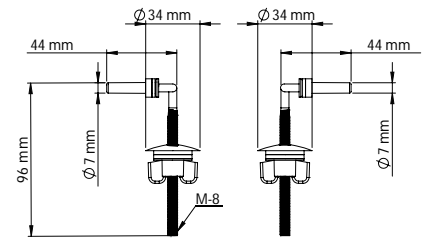


### FIXING FROM BELOW

Product Code  
**TM9020**

Pcs in Box	Box Sizes	Box Weight
200	40x25x28cm	16,800 kg

**Material**  
STAINLESS STEEL

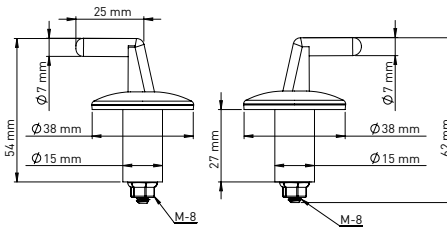


## PLASTIC HINGERS KIT PULL ON UPPER

Product Code  
**TM9030**

Pcs in Box	Box Sizes	Box Weight
250	40x25x28cm	10,540 kg


**Material**  
N6 + STAINLESS STEEL











**MECHANISMS  
& CONCEALED  
CISTERNS**

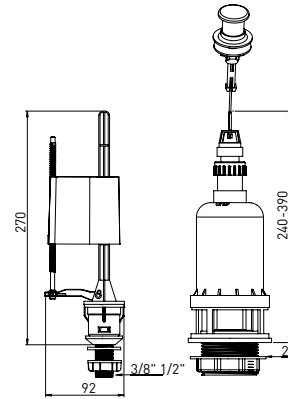
**86-93**

**PULL MODEL CISTERN MECHANISM WITH MASTER FLOAT VALVE**



Product Code  
**TM4250**

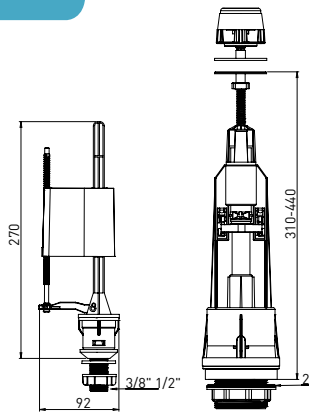
Pcs in Box	Box Sizes	Box Weight
20	37x56x44cm	11 kg



**PUSH MODEL CISTERN MECHANISM WITH MASTER FLOAT VALVE**

Product Code  
**TM4151**

Pcs in Box	Box Sizes	Box Weight
20	71x59x33cm	13,080 kg

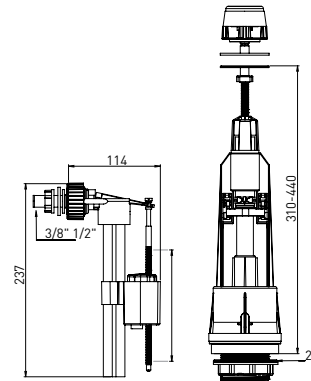


**PUSH MODEL CISTERN MECHANIM WITH SIDE FLOAT VALVE**

**PLASTIC INLET FROM SIDE**

Product Code  
**TM4192**

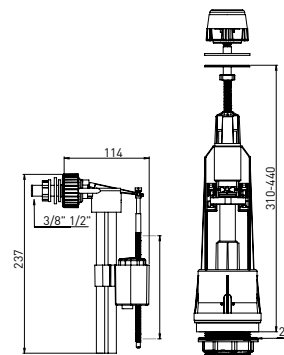
Pcs in Box	Box Sizes	Box Weight
20	71x59x33cm	13,520 kg



**BRASS INLET FROM SIDE**

Product Code  
**TM4193**

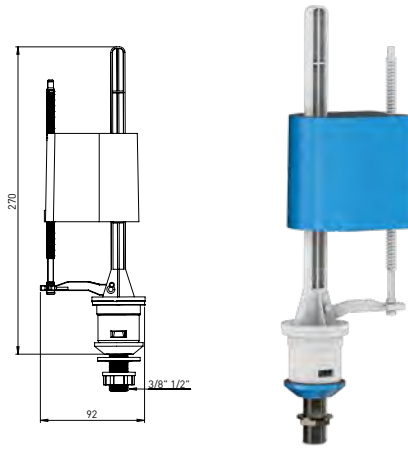
Pcs in Box	Box Sizes	Box Weight
20	71x59x33cm	14 kg



## MASTER FLOAT VALVE WITH 3/8 BRASS INLET FROM BELOW

Product Code  
**TM7019**

Pcs in Box	Box Sizes	Box Weight
48	71x59x33cm	11,500 kg



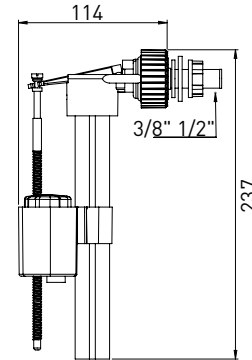
## MODERN FLOAT VALVE WITH 3/8 or 1/2 INLET FROM SIDE



PLASTIC 3/8 OR 1/2 INLET FROM SIDE

Product Code  
**TM7023**

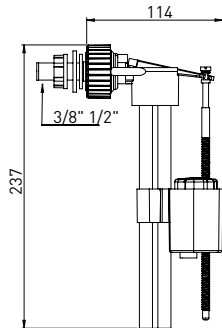
Pcs in Box	Box Sizes	Box Weight
48	71x59x33cm	13,580 kg



BRASS 3/8 INLET FROM SIDE

Product Code  
**TM7024**

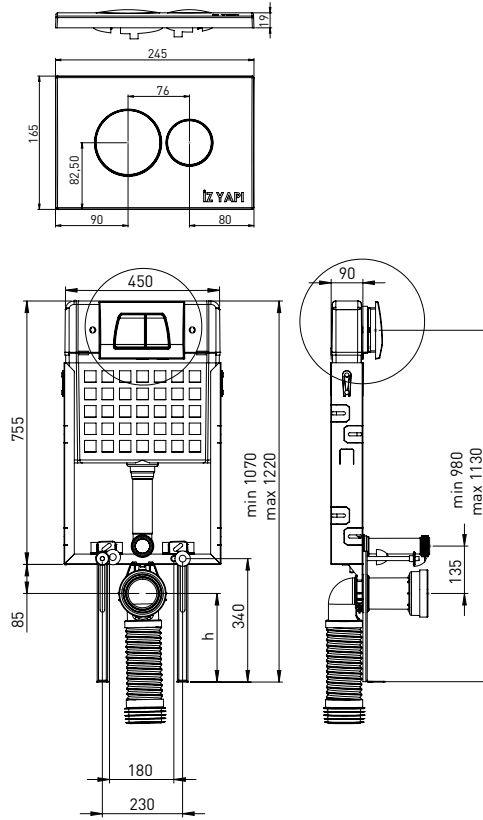
Pcs in Box	Box Sizes	Box Weight
48	37x56x43cm	13,500 kg



## IN-WALL 3/6 LT. CONCEALED CISTERN

Product Code  
**TM4500**

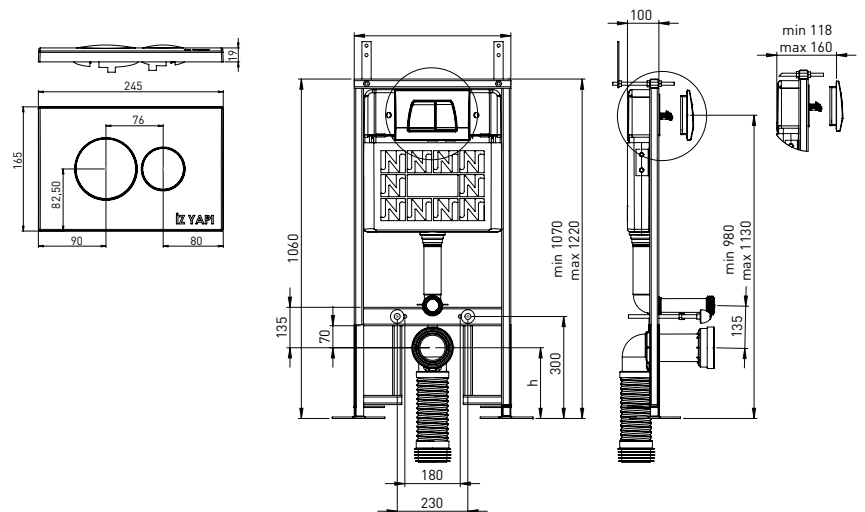
Pcs in Box	Box Sizes	Box Weight
1	16,5x50x90cm	8,850 kg



## IN-WALL 3/6 LT. CONCEALED CISTERN WITH FRAME

Product Code  
**TM4501**

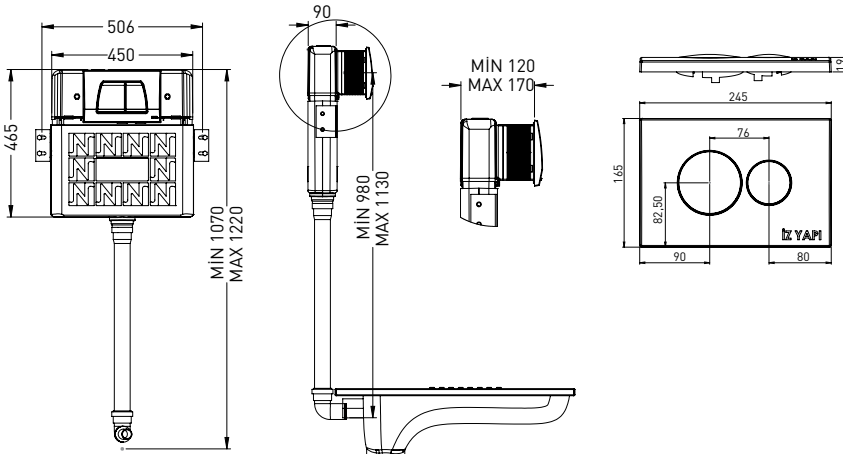
Pcs in Box	Box Sizes	Box Weight
1	114x52x16cm	13,750 kg



## IN-WALL 3/6 LT. CONCEALED CISTERN FOR SQUATTING PAN

Product Code  
**TM4502**

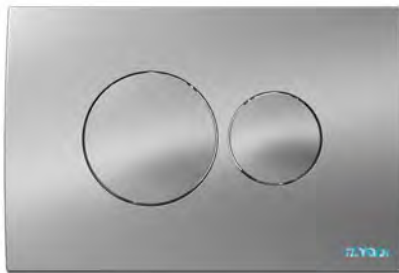
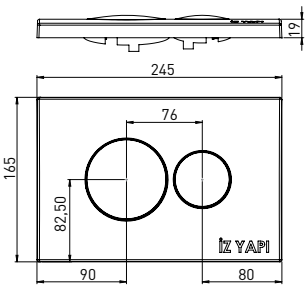
Pcs in Box	Box Sizes	Box Weight
1	85x58x12 cm	5,300 kg



## ROUND CONCEALED MECHANISM BUTTON

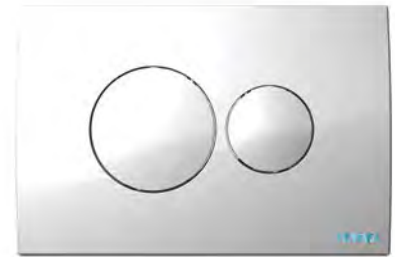
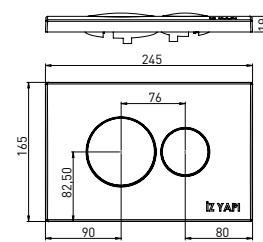
GREY

Product Code  
**TM7311**



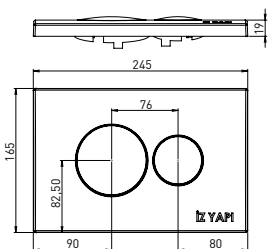
WHITE

Product Code  
**TM7310**



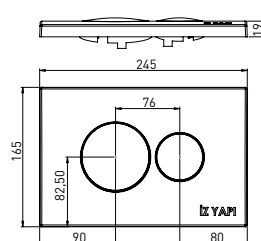
CHROME

Product Code  
**TM7312**



SOFT TOUCH

Product Code  
**TM7313**

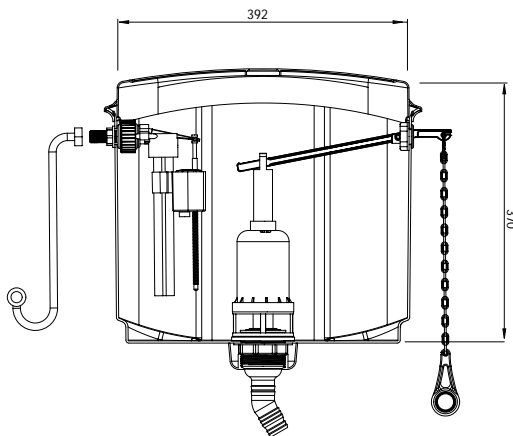




**EASY MODEL HIGH LEVEL FLUSH TANK (PULL MECHANISM)**

Product Code  
**TM4080**

Pcs in Box	Box Sizes	Box Weight
5	78x48x41cm	13 kg



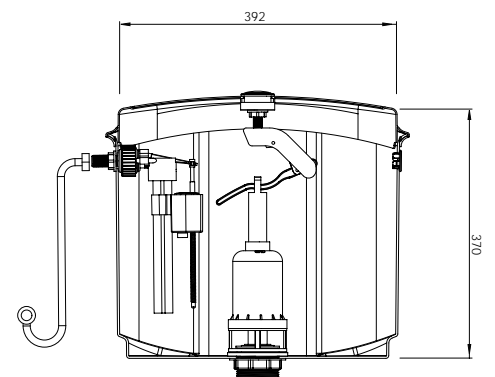
**EASY MODEL HIGH LEVEL FLUSH TANK (PUSH MECHANISM)**



**PUSH BUTTON**

Product Code  
**TM4090**

Pcs in Box	Box Sizes	Box Weight
5	78x48x41cm	13,750 kg

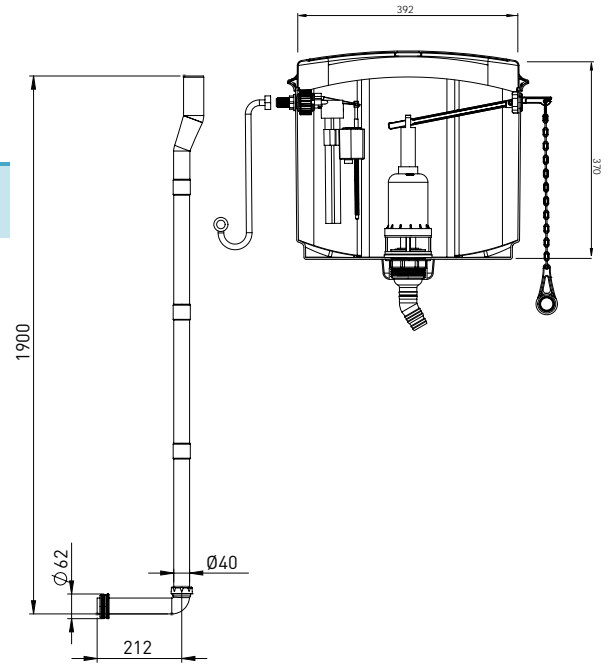


EASY MODEL HIGH LEVEL FLUSH TANK WITH PIPES (PULL MECHANISM)- 9 LT WATER STORAGE TANK, HIGH LEVEL MODEL WITH 190 CM PIPES



Product Code  
**TM4080 + 7033**

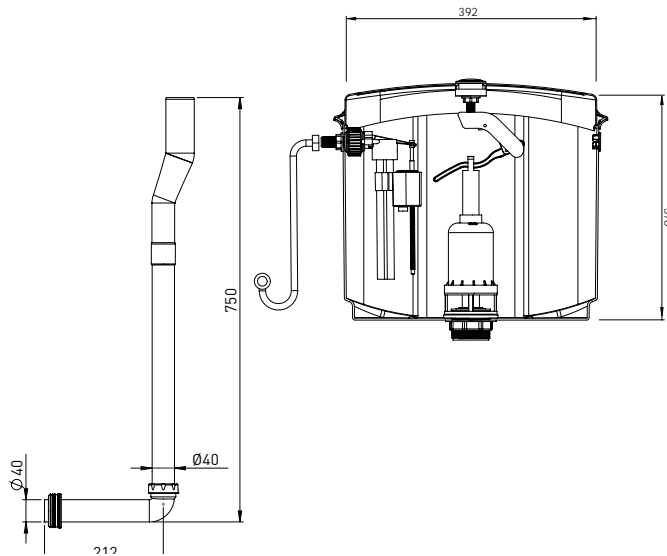
Pcs in Box	Box Sizes	Box Weight
5	78x48x41cm	15,400 kg



EASY PUSH MODEL FLUSH TANK WITH PIPES - (PUSH MECHANISM) 9 LT WATER STORAGE TANK, PUSH MODEL WITH PIPES 75 CM

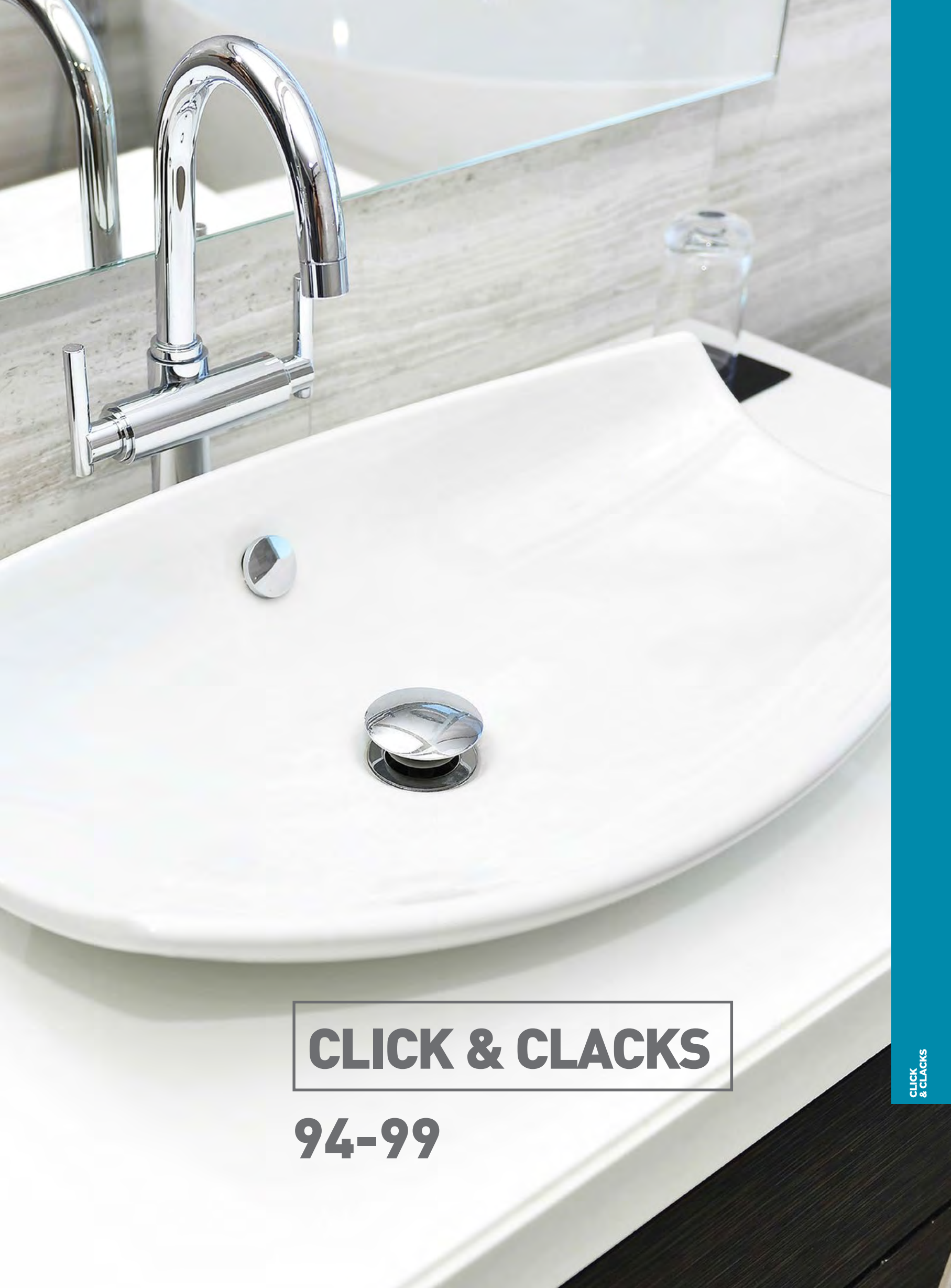
Product Code  
**TM4090 + 7030**

Pcs in Box	Box Sizes	Box Weight
5	78x48x41cm	14,370 kg









**CLICK & CLACKS**

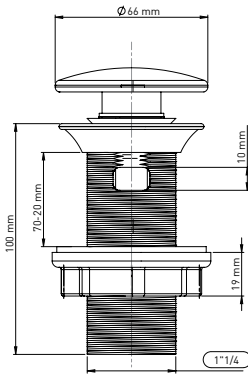
**94-99**



## STAINLESS STEEL COVERED ABS PLASTIC 100 MM CLICK-CLACK 1-1/4 OUTLET DRAIN

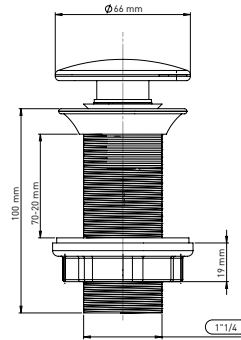
WITH OVERFLOW

Product Code  
**CCP100114T**



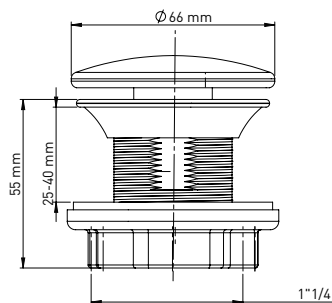
WITHOUT OVERFLOW

Product Code  
**CCP100114O**



## STAINLESS STEEL COVERED ABS PLASTIC 55 MM CLICK-CLACK 1-1/4 OUTLET DRAIN WITHOUT OVERFLOW

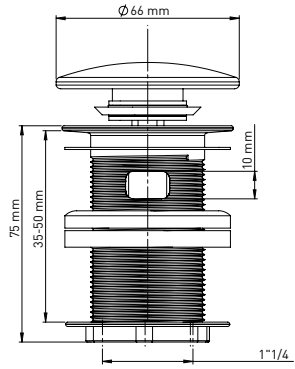
Product Code  
**CCP55114O**



# BRASS + ZAMAK 75 MM CLICK-CLACK 1-1/4" OUTLET DRAIN

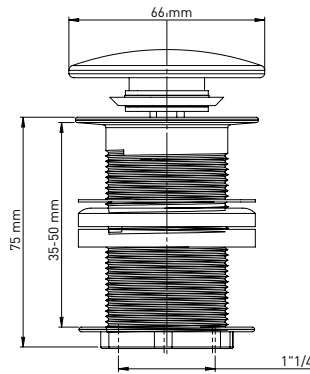
WITH OVERFLOW

Product Code  
**CCM75114T**



WITHOUT OVERFLOW

Product Code  
**CCM751140**



## STAINLESS STEEL COVERED ABS PLASTIC 100 MM CLICK-CLACK 1-1/4 OUTLET DRAIN WITH OVERFLOW

With 1-1/4 - Ø32 syphon with rosette - l: 750 mm

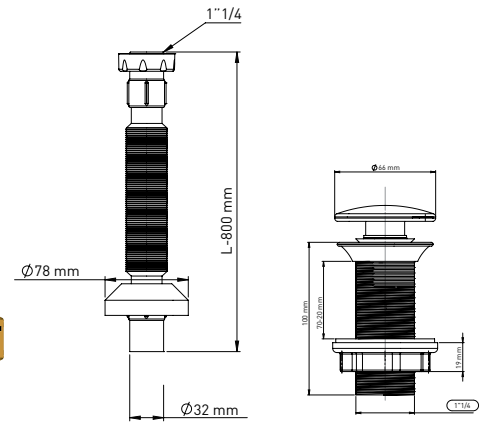
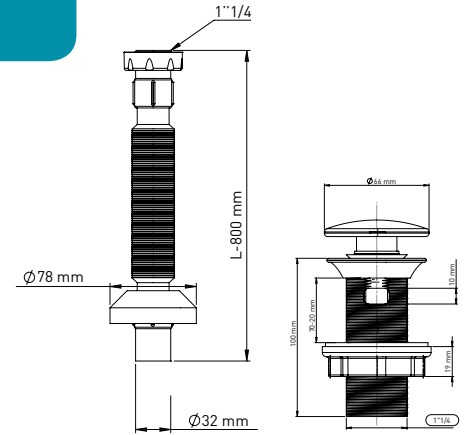
Product Code

**CCP100114T + TM1200**

WITH OVERFLOW

Product Code

**CCP1001140 + TM1200**



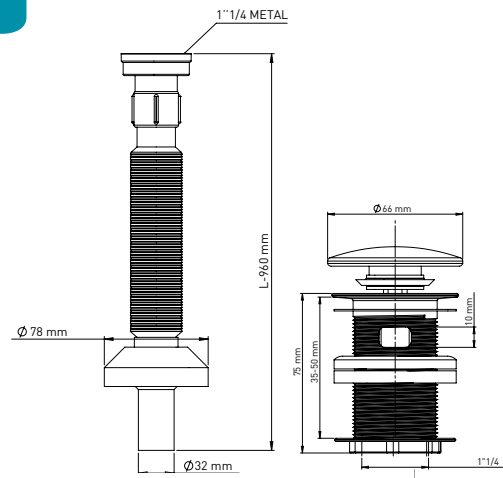


## MAGIC PIPE 1-1/4 WITH ZINC NUT + BRASS CLICK CLACK

1-1/4 - Ø32 Syphone with rosette with zamak nut l: 960 mm

Product Code

**CCM75114T + TM1200-M**

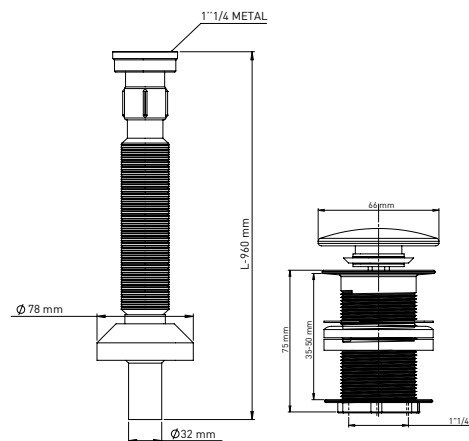


## MAGIC PIPE 1-1/4 WITH ZINC NUT + BRASS CLICK CLACK WITH OVERFLOW

WITH OVERFLOW

Product Code

**CCM751140 + TM1200-M**







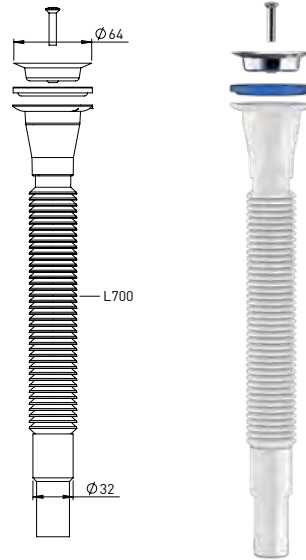
**SYPHONES FOR  
WASHBASINS**

**100 -105**

### ECONOMIC SINGLE PIECE FLEXIBLE SIPHON - 430 QUALITY

Product Code  
**TM1213**

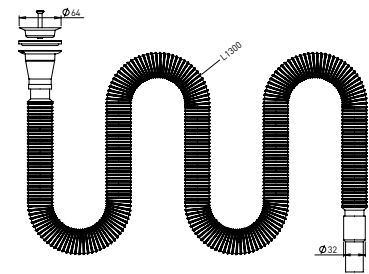
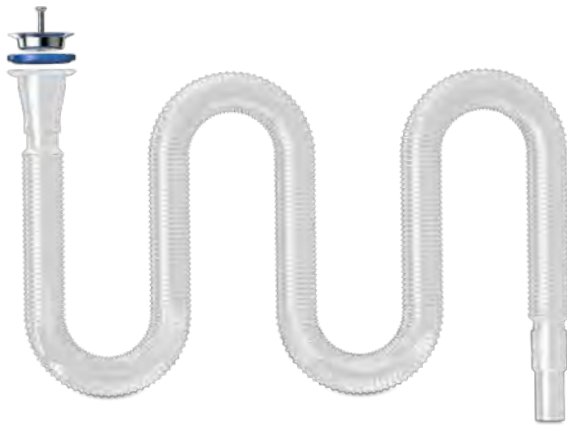
Pcs in Box	Box Sizes	Box Weight
125	42,4x37,5x61cm	14,360 kg



### ECONOMIC SINGLE PIECES LONG FLEXIBLE SIPHON - 430 QUALITY

Product Code  
**TM1214**

Pcs in Box	Box Sizes	Box Weight
75	42,4x37,5x61cm	12,400 kg

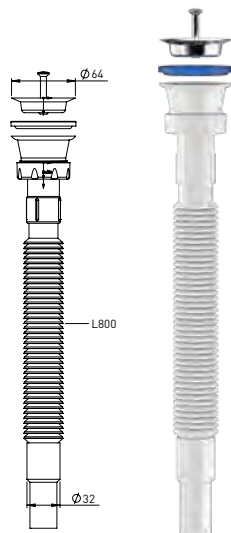


### 1-1/2 FLEXIBLE SIPHON Ø32 - 304 QUALITY

Ø32 - 64 MM

Product Code  
**TM1210**

Pcs in Box	Box Sizes	Box Weight
100	42,5x37,5x61cm	14,400 kg

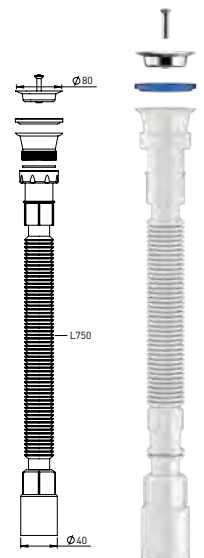


### 1-1/2 FLEXIBLE SIPHON Ø40 - 304 QUALITY

Ø40 - 80 MM

Product Code  
**TM1240**

Pcs in Box	Box Sizes	Box Weight
75	42,5x37,5x61cm	12,215kg



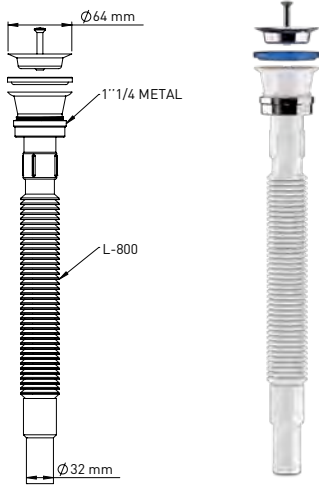


1-1/4 FLEXIBLE SIPHON Ø32 WITH ZINC NUT- 304 QUALITY

Ø32 - 64 MM

Product Code  
**TM1210 - M**

Pcs in Box	Box Sizes	Box Weight
100	42,5x37,5x61cm	16,500 kg

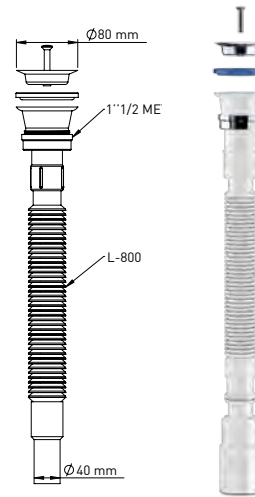


1-1/2 FLEXIBLE SIPHON Ø40 WITH ZINC NUT - 304 QUALITY

Ø40 - 80 MM

Product Code  
**TM1240 - M**

Pcs in Box	Box Sizes	Box Weight
75	42,5x37,5x61cm	14 kg



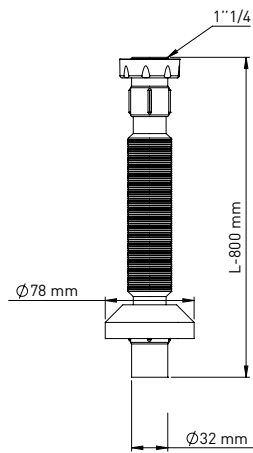


### MAGIC PIPE 1-1/4 WITH ROSETTE AND PLASTIC NUT

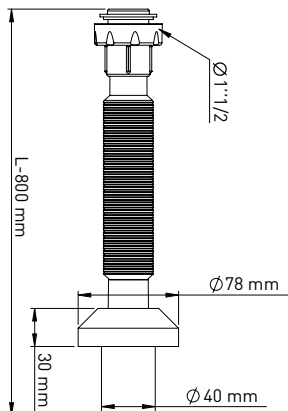
Ø32

Product Code  
**TM1200**

Pcs in Box	Box Sizes	Box Weight
150	42,5x37,5x61cm	12,500 kg



### MAGIC PIPE 1-1/2 WITH ROSETTE AND PLASTIC NUT



Ø40

Product Code  
**TM1202**

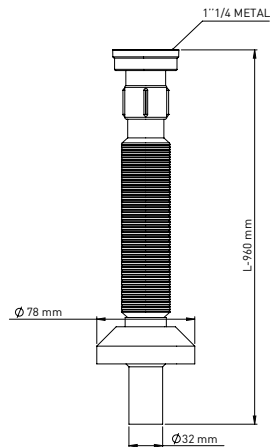
Pcs in Box	Box Sizes	Box Weight
125	42,5x37,5x61cm	11,000 kg

## MAGIC PIPE 1-1/4 WITH ROSETTE AND ZINC NUT

Ø32

Product Code  
**TM1200-M**

Pcs in Box	Box Sizes	Box Weight
150	42,5x37,5x61cm	13,500 kg

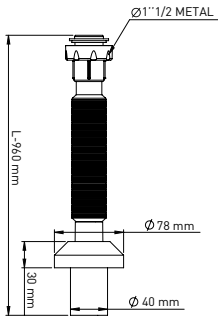


## MAGIC PIPE 1-1/2 WITH ROSETTE AND ZINC NUT

Ø40

Product Code  
**TM1202-M**

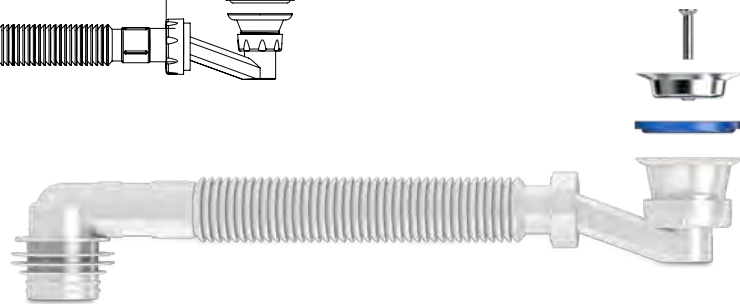
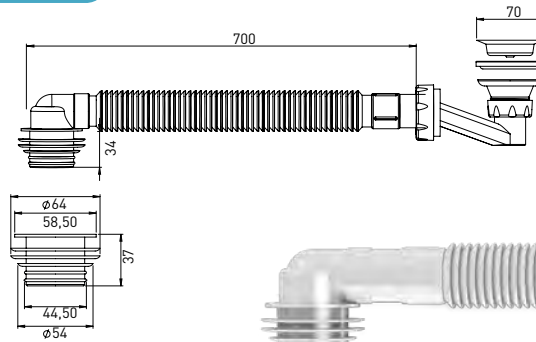
Pcs in Box	Box Sizes	Box Weight
125	42,5x37,5x61cm	12 kg



## SHOWER SIPHON WITH FLEXIBLE ELBOW OUTLET

Product Code  
**TM1623**

Pcs in Box	Box Sizes	Box Weight
50	42,5x37,5x61cm	11,800 kg







**PLASTER  
MOLD PARTS  
& NOTCHES FOR  
MOLDS**

**106-111**

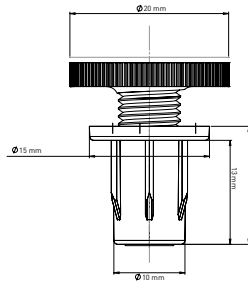
## ADJUSTING PIN FOR LAVATORY

To sustain lavatory in level, Adjustable by screw.

### DIAMETER 10 MM

Product Code  
**ZZ001**

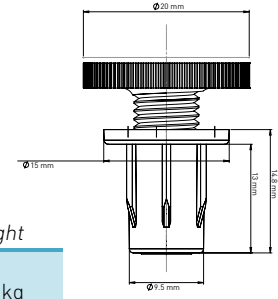
Pcs in Box	Box Sizes	Box Weight
7000	40x25x28cm	11,940 kg



### DIAMETER 9,5 MM

Product Code  
**ZZ031**

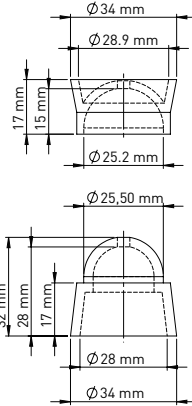
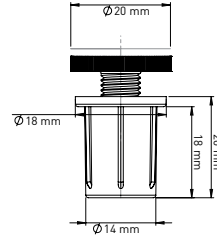
Pcs in Box	Box Sizes	Box Weight
7000	40x25x28cm	10,700 kg



### DIAMETER 14 MM

Product Code  
**ZZ002**

Pcs in Box	Box Sizes	Box Weight
3000	40x25x28cm	12,690 kg



## BIG BLUE NOTCH

Can be used for centering parts for plaster molds. Male / Female set made up of two pieces. Mainly for big size molds

Product Code  
**AK001**

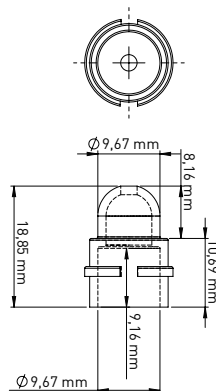
Pcs in Box	Box Sizes	Box Weight
2500	41x40x40cm	31,700 kg

## SMALL GREEN NOTCH

Can be used for centering parts for plaster molds. Same piece can be used as male and female. Mainly for mold's parts and small size molds.

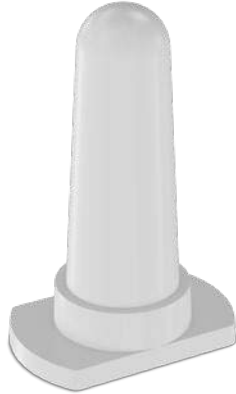
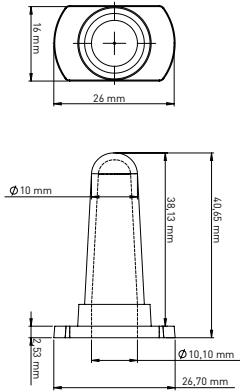
Product Code  
**AK012**

Pcs in Box	Box Sizes	Box Weight
300	40x25x28cm	4,100 kg



## RUBBER PUNCH Ø 10

For creating water inlet holes on WC and squatting pans.



### STRAIGHT

Product Code  
**AK015**

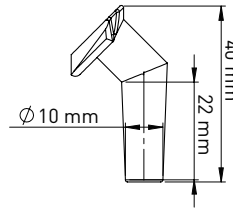
Pcs in Box	Box Sizes	Box Weight
3000	40x25x28cm	9,600 kg

For creating water inlet holes on WC and squatting pans.

### ANGULAR

Product Code  
**AK017**

Pcs in Box	Box Sizes	Box Weight
3000	40x25x28cm	14,040 kg

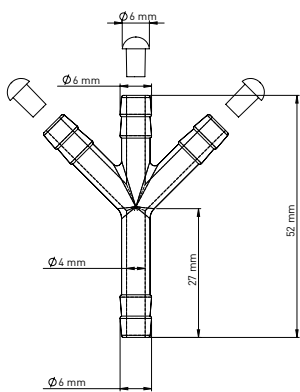


## AIR FORK

For attaching air pipe into plaster molds.

Product Code  
**AK025**

Pcs in Box	Box Sizes	Box Weight
3000	40x25x28cm	4,500 kg

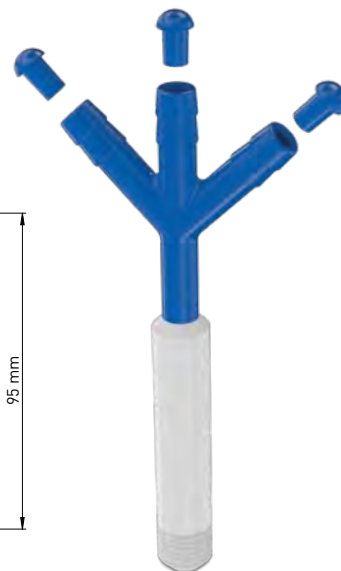
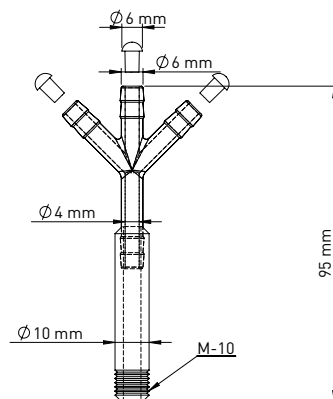


For attaching air pipe into plaster molds.

### WITH PIPE

Product Code  
**AK026**

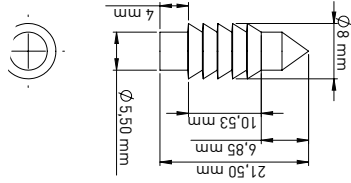
Pcs in Box	Box Sizes	Box Weight
2500	40x25x28cm	5 kg



## AIR PLUG Ø 8

Product Code  
**AK027**

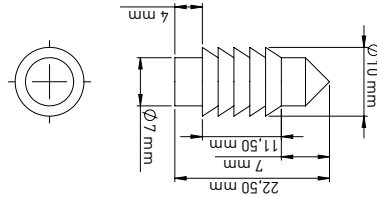
Pcs in Box	Box Sizes	Box Weight
15000	40x25x28cm	15 kg



## AIR PLUG Ø 10

Product Code  
**AK028**

Pcs in Box	Box Sizes	Box Weight
12500	40x25x28cm	13,640 kg

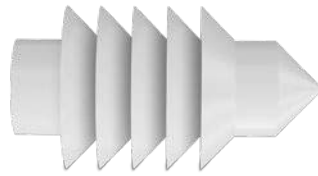
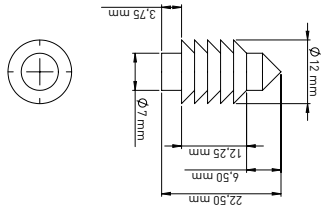


Product Code  
**AK028**

## AIR PLUG Ø 12

Product Code  
**AK029**

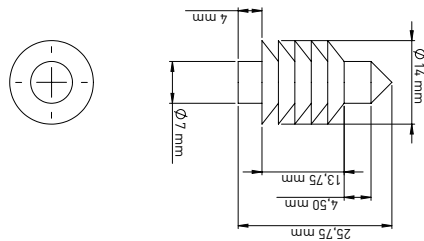
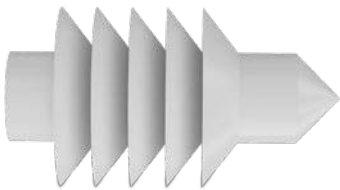
Pcs in Box	Box Sizes	Box Weight
10000	40x25x28cm	12,320 kg



## AIR PLUG Ø 14

Product Code  
**AK030**

Pcs in Box	Box Sizes	Box Weight
6500	40x25x28cm	11,300 kg



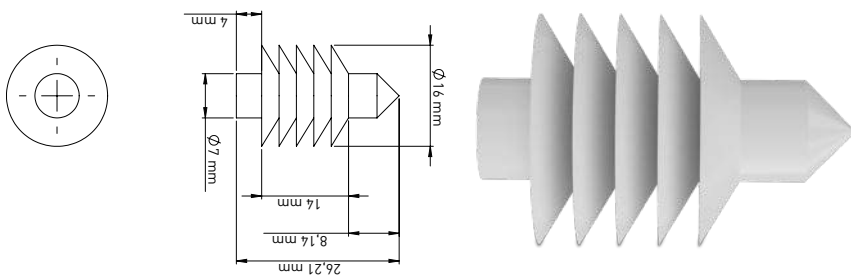




## AIR PLUG Ø 16

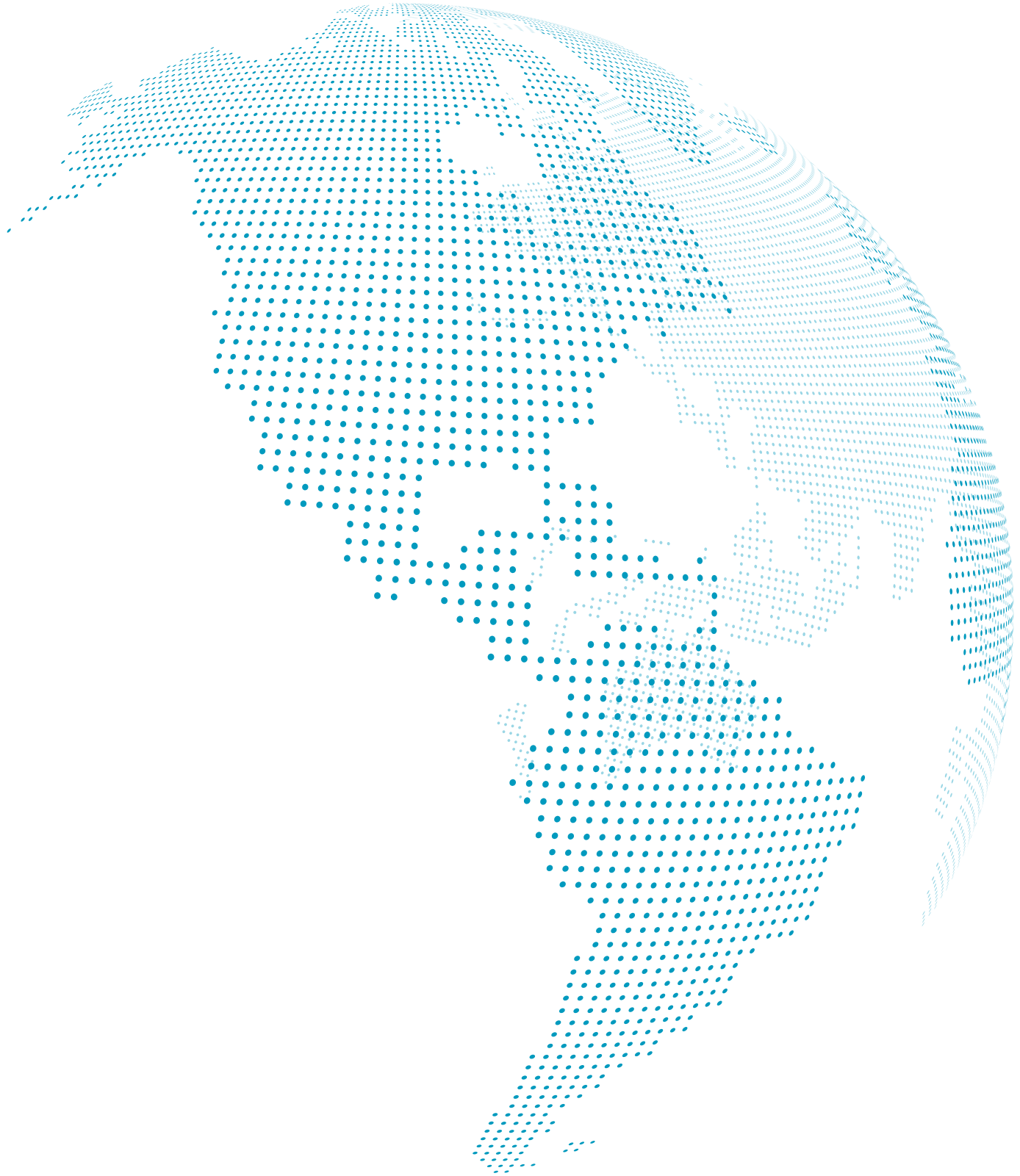
Product Code  
**AK031**

Pcs in Box	Box Sizes	Box Weight
4000	40x25x28cm	9,800 kg









*Iz Building Materials and Equipments*

Mermerciler Sanayi Sitesi 5. Cadde No:1/1  
Beylikdüzü, İstanbul 34520 - TURKEY

**P:** +90 212. 879 09 45

**F:** +90 212. 879 09 46

trade@izyapi.net • info@izyapi.net

[www.izyapi.net](http://www.izyapi.net)